

Instructions



Dome Cover

Model No. **WV-CW6SA**
WV-QDC505C

Before attempting to connect or operate this product, please read these instructions carefully and save this manual for future use.

The model number is abbreviated in some descriptions in this manual.

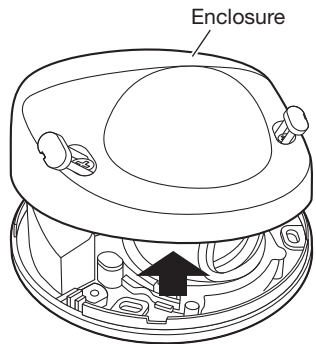
Features

The WV-CW6SA is the smoke type dome cover. The WV-QDC505C is the clear type dome cover. Contact your dealer for the cameras compliant with this product.

Installations

Please read the operating instructions for the camera as well.

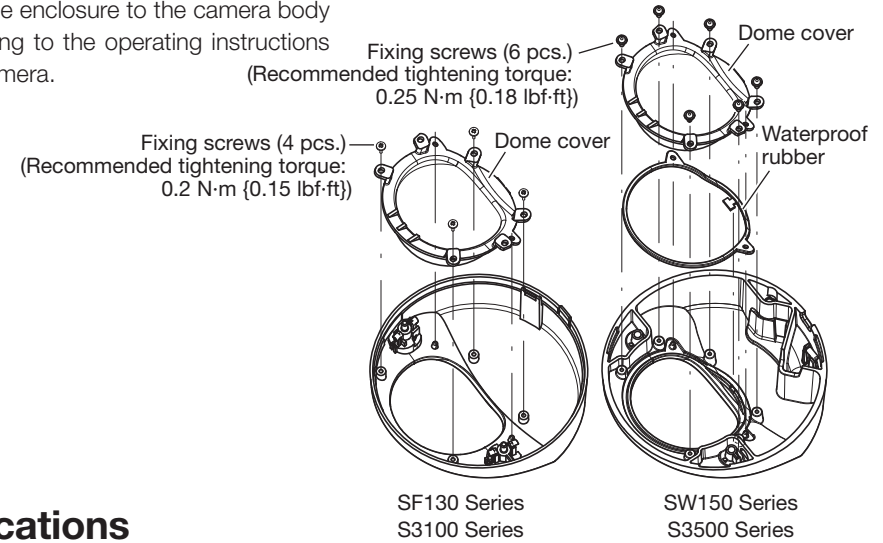
1. Detach the enclosure from the camera body by referring to the operating instructions of the camera.
2. Detach the dome cover from the enclosure by removing the fixing screws. (Refer to the illustration described beside step 5.)
3. Detach the protection film from the new dome cover. (Be careful not to scratch the dome.)
4. Attach the new dome cover to the enclosure and fasten the fixing screws removed in step 2. (Refer to the illustration described beside step 5.)



Notes on replacing the dome cover (SW150 Series / S3500 Series)

- Confirm that the waterproof rubber is on its original position.
- Check the waterproof rubber, and replace it if it has deteriorated. Deterioration can affect the waterproof performance.

5. Attach the enclosure to the camera body by referring to the operating instructions of the camera.



Specifications

Ambient temperature	-30 °C to +50 °C {-22 °F - +122 °F}
Weight	approx. 15 g {0.003 lbs.}
Dimensions	72 mm (W) x 37 mm (H) x 67 mm (D) {2-27/32 inches (W) x 1-15/32 inches (H) x 2-5/8 inches (D)} (Dome diameter 54 mm {2-1/8 inches})

Caution

- Before attempting to connect or operate this product, please read these instructions carefully.

Precautions

■ Do not use this product except with suitable cameras.

Failure to observe this may cause a drop resulting in injury.

■ Refer installation work or dome cover replacement to the dealer.

Installation work requires technique and experience. Failure to observe this may cause fire, electric shock, injury, or damage to the product.

Be sure to consult the dealer.

■ The screws and bolts must be tightened to the specified torque.

Failure to observe this may cause a drop resulting in injury or accidents.

When using this product, also read the “Precautions” described in the operating instructions for the camera to be attached.

Standard Accessories

Instructions (this document) 1 set

i-PRO Co., Ltd.

<https://www.i-pro.com/>

