

WV-X4571LM

9MP 360-degree In-vehicle Dome Network Camera

i-PRO Extreme H.265 360-degree Fisheye Network Camera

The WV-X4571LM captures the highest quality images in even very challenging and dynamic environments.



- 9-megapixel fisheye images up to 30 fps
- iA (intelligent Auto)
- Super Dynamic 108dB
- H.265 Smart Coding
- ABF (Auto Back Focus)
- IP66, IK10, 50J compliant, Dehumidification device
- i-VMD License Bundled
- Fiber Optic Media Converter Unit (Optional WV-S25F1)



SPECIFICATIONS

Camera	
Image Sensor	Approx. 1/2 type MOS image sensor
Minimum Illumination	Color : 0.3 lx, BW : 0.04 lx (F1.9, Maximum shutter : Off (1/30s), AGC : 11) BW : 0 lx (F1.9, Maximum shutter : Off (1/30 s), AGC : 11, when the IR LED is lit) Color : 0.02 lx, BW : 0.003 lx (F1.9, Maximum shutter : max. 16/30s, AGC : 11)
Intelligent Auto	On / Off
Maximum Shutter	max. 16/30s to Max. 1/10000s
Super Dynamic	On / Off, The level can be set in the range of 0 to 31.
Dynamic Range	Max.108 dB (Super Dynamic : On, level : 31)
Image Settings	Gain (AGC), White balance
Image Compensation	Adaptive black stretch, Back light compensation (BLC), Fog compensation, High light compensation (HLC), Digital noise reduction
Color/BW (ICR)	Off / On (IR Light Off) / On (IR Light On) / Auto1 (IR Light Off) / Auto2 (IR Light On) / Auto3 (SCC)
IR LED Light	High* / Middle / Low / Off *Maximum irradiation distance : 10m {approx. 33 ft} (Mounting height : Approx. 3m, Peripheral intensity control : On)
Video Motion Detection (VMD)	On / Off, 4 areas available
Intelligent VMD (i-VMD)	Type 5 *Bundled License
Privacy Zone	On / Off, Up to 8 zones available
Camera Title (OSD)	On / Off, Up to 20 characters (alphanumeric characters, marks)
Fixing angle adjustment	-5°, 0°, +5°
Lens	
Zoom Ratio	1x
Digital (Electronic) Zoom	Choose from 3 levels of x1, x2, x4
Focal Length	1.4 mm {1/16 inches}
Maximum Aperture Ratio	1 : 1.9
Focus Range	0.5 m {19-11/16 inches} - ∞
Angular Field of View	Horizontal : 183° Vertical : 183°
Browser GUI	
Camera Control	Brightness, AUX On / Off
Audio	Mic (Line) Input : On / Off Volume adjustment : Low / Middle / High Audio Output : On / Off Volume adjustment : Low / Middle / High
GUI / Setup Menu Language	English, Italian, French, German, Spanish, Portuguese, Russian, Chinese, Japanese
Network	
Network IF	10Base-T / 100Base-TX, M12 connector
Resolution <Ceiling> <Wall>	•Fisheye mode (max.30 fps) 2992×2992 / 2192×2192 / 1280×1280 / 640×640 / 320×320 •Quad PTZ mode (max.15 fps), Single PTZ mode (max.15 fps) 2560×1920 / 2048×1536 / 1600×1200 / 1280×960 / 800×600 / VGA / QVGA

Resolution <Ceiling>	<ul style="list-style-type: none"> •Double Panorama mode (max. 15 fps) 2560×1440 / 1920×1080 / 1280×720 / 640×360 / 320×180 •Fisheye + Double Panorama mode (max. 15 fps) (Fisheye) 2992×2992 / 2192×2192 / 1280×1280 / 640×640 / 320×320 (Double Panorama) 1280×720 / 640×360 / 320×180 •Fisheye + Quad PTZ mode (max. 15 fps) (Fisheye) 2992×2992 / 2192×2192 / 1280×1280 / 640×640 / 320×320 (Quad PTZ) 1280×960 / 800×600 / VGA / QVGA •Quad streams mode (Single PTZ (Quad streams)) 1280×960 / 800×600 / VGA / QVGA (max. 15 fps) (Quad PTZ) 2560×1920 / 2048×1536 / 1600×1200 / 1280×960 / 800×600 / VGA / QVGA (max. 5 fps)
Resolution <Wall>	<ul style="list-style-type: none"> •Panorama mode (max. 15 fps) 2560×1440 / 1920×1080 / 1280×720 / 640×360 / 320×180 •Fisheye + Panorama mode (max. 15 fps) (Fisheye) 2992×2992 / 2192×2192 / 1280×1280 / 640×640 / 320×320 (Panorama) 1280×720 / 640×360 / 320×180
H.265/H.264	<p>Transmission Mode Constant bit rate / VBR / Frame rate / Best effort</p> <p>Transmission Type Unicast / Multicast</p>
JPEG	<p>Image Quality 10 steps</p>
Smart Coding	<p>GOP (Group of pictures) control : On (Frame rate control)* / On (Advanced)* / On (Mid) / On (Low) / Off *On (Frame rate control) and On (Advanced) are only available with H.265. Auto VIQS : On / Off</p>
Audio Compression	G.726 (ADPCM) : 16 kbps / 32 kbps, G.711 : 64 kbps, AAC-LC : 64 kbps / 96 kbps / 128 kbps
Supported Protocol	<p>IPv6 : TCP/IP, UDP/IP, HTTP, HTTPS, FTP, SMTP, DNS, NTP, SNMP, DHCPv6, RTP, MLD, ICMP, ARP, IEEE 802.1X, DiffServ IPv4 : TCP/IP, UDP/IP, HTTP, HTTPS, RTSP, RTP, RTP/RTCP, FTP, SMTP, DHCP, DNS, DDNS, NTP, SNMP, UPnP, IGMP, ICMP, ARP, IEEE 802.1X, DiffServ</p>
Maximum concurrent access number	Up to 14 users (Depends on network conditions)
SDXC/SDHC/SD Memory Card (Option)	<p>H.265 / H.264 recording : Manual REC / Alarm REC (Pre/Post) / Schedule REC / Backup upon network failure JPEG recording : Manual REC / Alarm REC (Pre/Post) / Backup upon network failure Compatible SDXC/SDHC/SD card : Panasonic 2 GB, 4 GB*, 8 GB*, 16 GB*, 32 GB*, 64 GB**, 128 GB**, 256 GB**model *SDHC card, ** SDXC card (except miniSD card and microSD card)</p>
Mobile Terminal Compatibility	iPad / iPhone, Android™ terminals
ONVIF Profile	G / S / T

Alarm

Alarm Source	3 terminals input, VMD, Command alarm
Alarm Actions	SDXC/SDHC/SD memory recording, E-mail notification, HTTP alarm notification, Indication on browser, FTP image transfer, Panasonic alarm protocol output

Input/Output

Monitor output (for adjustment)	VBS : 1.0 V [p-p] / 75 Ω, composite, ø3.5 mm mini jack An NTSC or PAL signal can be outputted from camera
Audio Input	<p>For microphone ø3.5 mm stereo mini jack, Recommended applicable microphone : Plug-in power type (Sensitivity of microphone : -48 dB ±3 dB (0 dB=1 V / Pa,1 kHz)) Input impedance : Approx. 2 kΩ (unbalanced) Supply voltage : 2.5 V ±0.5 V</p> <p>For line Input level : Approx. -10 dBV</p>
Audio Output	ø3.5 mm stereo mini jack (monaural output) Output impedance : Approx. 600 Ω (unbalanced) Output level : -20 dBV
External I/O Terminals	ALARM IN1 (Alarm input 1/ Black & white input/ Auto time adjustment input) (x1) ALARM IN2 (Alarm input 2/ ALARM OUT) (x1), ALARM IN3 (Alarm input 3/ AUX OUT) (x1)

General	
Safety	UL (UL60950-1), c-UL (CSA C22.2 No.60950-1), CE, IEC60950-1
EMC	FCC (Part15 ClassA), ICES003 ClassA, EN55032 ClassB, EN55024 ECE-R10, EN50498 compliant, EN50121
Power Source and Power Consumption	DC power supply : DC 12 V 1.04 A/Approx. 12.5 W PoE (IEEE802.3af compliant, Alternative A) Device : DC 48 V 260 mA/Approx. 12.5 W (Class 0 device)
Ambient Operating Temperature	IR LED : On -40 °C to +50 °C {-40 °F to +122 °F} IR LED : Off -40 °C to +60 °C {-40 °F to +140 °F}
Ambient Operating Humidity	10 to 100 % (no condensation)
Dehumidification Device	Rosahl element
Water and Dust Resistance	IP66 (IEC60529), Type 4X (UL50E), NEMA 4X compliant
Shock Resistance	50J (IEC 60068-2-75 compliant), IK10 (IEC 62262)
Railway Application	EN45545 compliant, EN50155-TX
Dimensions	When using the attachment plate only : ø154 mm × 60.3 mm (H) {ø6-1/16 inches × 2-3/8 inches (H)} Dome radius 35 mm {1-3/8 inches}
Mass (Approx.)	When using the attachment plate only : Approx. 880 g {1.94 lbs}
Finish	Main body : Aluminum die cast , i-PRO white Outer fixing screws : Stainless steel (Corrosion-resistant treatment) Dome section : Polycarbonate resin, Clear

NOTES

Important

- Safety Precautions : Carefully read the Basic Information, Installation Guide and Operating Instructions before using this product.
- i-PRO Co., Ltd. cannot be held responsible for the performance of the network and/or other manufacturers' products used on the network.
- Masses and dimensions are approximate.
- Specifications are subject to change without notice.

Trademarks and registered trademarks

- iPad and iPhone are trademarks of Apple Inc., registered in the U.S. and other countries. - Android is a trademark of Google LLC.
- ONVIF is a trademark of ONVIF, Inc.
- All other trademarks identified herein are the property of their respective owners

©i-PRO Co., Ltd All rights reserved / March 2023

OPTIONAL ACCESSORIES

Select a compatible accessory

[Accessory Selector \(i-pro.com\)](http://i-pro.com).



WV-QWL500-G
Mount Bracket



WV-QJB500-W
Mount Bracket



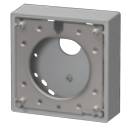
WV-Q186
Mount Bracket



WV-Q185
Mount Bracket



WV-Q182
Mount Bracket



WV-QJB500-G
Mount Bracket



WV-Q183
Mount Bracket



WV-QSR501-W
Mount Bracket



WV-QCL501-W
Mount Bracket



WV-QCL100-W
Mount Bracket



WV-QCL101-W
Mount Bracket



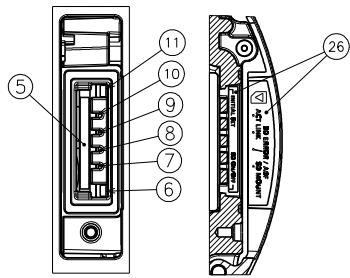
WV-QCL102-W
Universal Camera
Mount Bracket



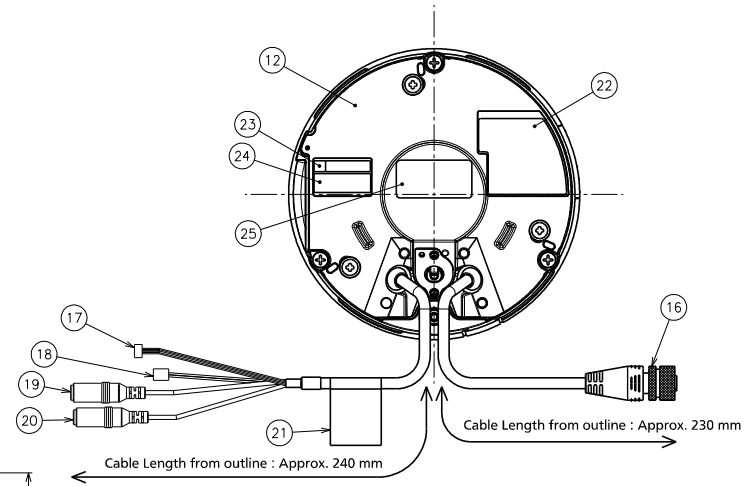
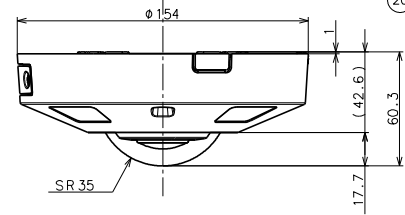
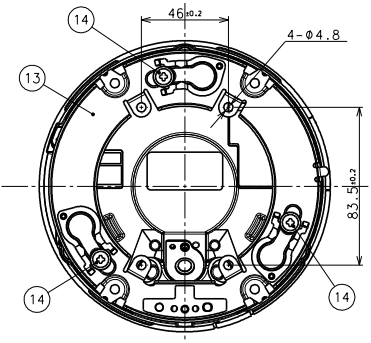
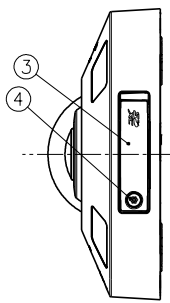
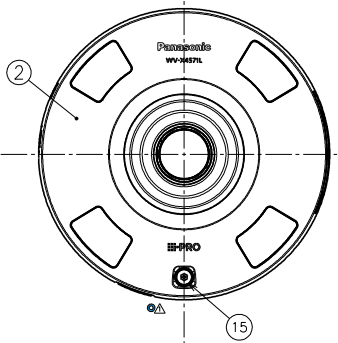
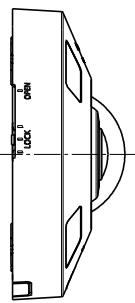
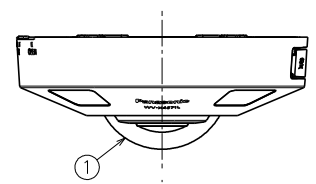
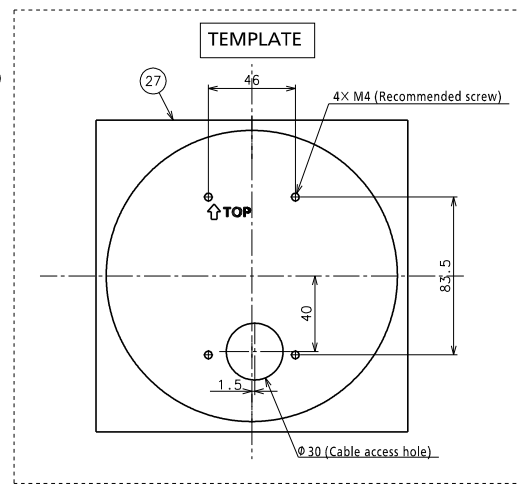
WV-QLR100-W
Light Rail Mount
Bracket



WV-Q105A
Mount Bracket



Inside of SD-slot cover (S=1:1)



Without Attachment Plate

27	TEMPLATE	1	-	-	-
26	SD Slot Label	1	Polyester Film	Printing	-
25	FCC ICES-3A LABEL	1	Polyester Film	Printing	-
24	CODE LABEL	1	Polyester Film	Printing	-
23	Serial No. Label	1	Polyester Film	Printing	-
22	Name Label	1	Polyester Film	Printing	-
21	Wiring Attention Label	1	Polyester Film	Printing	-
20	Audio Input Cable	1	-	-	-
19	Audio Output Cable	1	-	-	-
18	12V DC Power Supply Terminal	1	-	-	-
17	Alarm I/O Cable	1	-	-	-
16	M12 (female) Network Cable	1	-	-	-
15	Camera Fixing Screw	1	Stainless Steel	-	-
14	Attachment Mount Screw	3	Stainless Steel	-	-
13	Attachment Plate	1	Stainless Steel	-	-
12	Lower Case	1	Aluminium Alloy Diecasting	Painted(Light Gray)	-
11	INITIAL SET button	1	-	-	-
10	Access LED (ACT)	1	-	-	-
9	Link LED (LINK)	1	-	-	-
8	SD ERROR/ABF LED	1	-	-	-
7	SD MOUNT LED	1	-	-	-
6	SD ON/OFF button	1	-	-	-
5	SD CARD Slot	1	-	-	-
4	SD Slot Cover Fixing Screw	1	Stainless Steel	-	-
3	SD Slot Cover	1	Aluminium Alloy Diecasting	Painted(Light Gray)	-
2	Upper Case	1	Aluminium Alloy Diecasting	Painted(Light Gray)&Printing	-
1	Dome Cover	1	PC(Clear)	-	-
No.	Part Name	QTY	MATERIAL & SIZE	TREATMENT	REMARK

	投影面積/Projected area
側面図/Side-view	0.007(m ²)

WV-X4571LMZYS