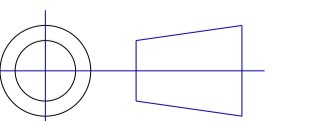
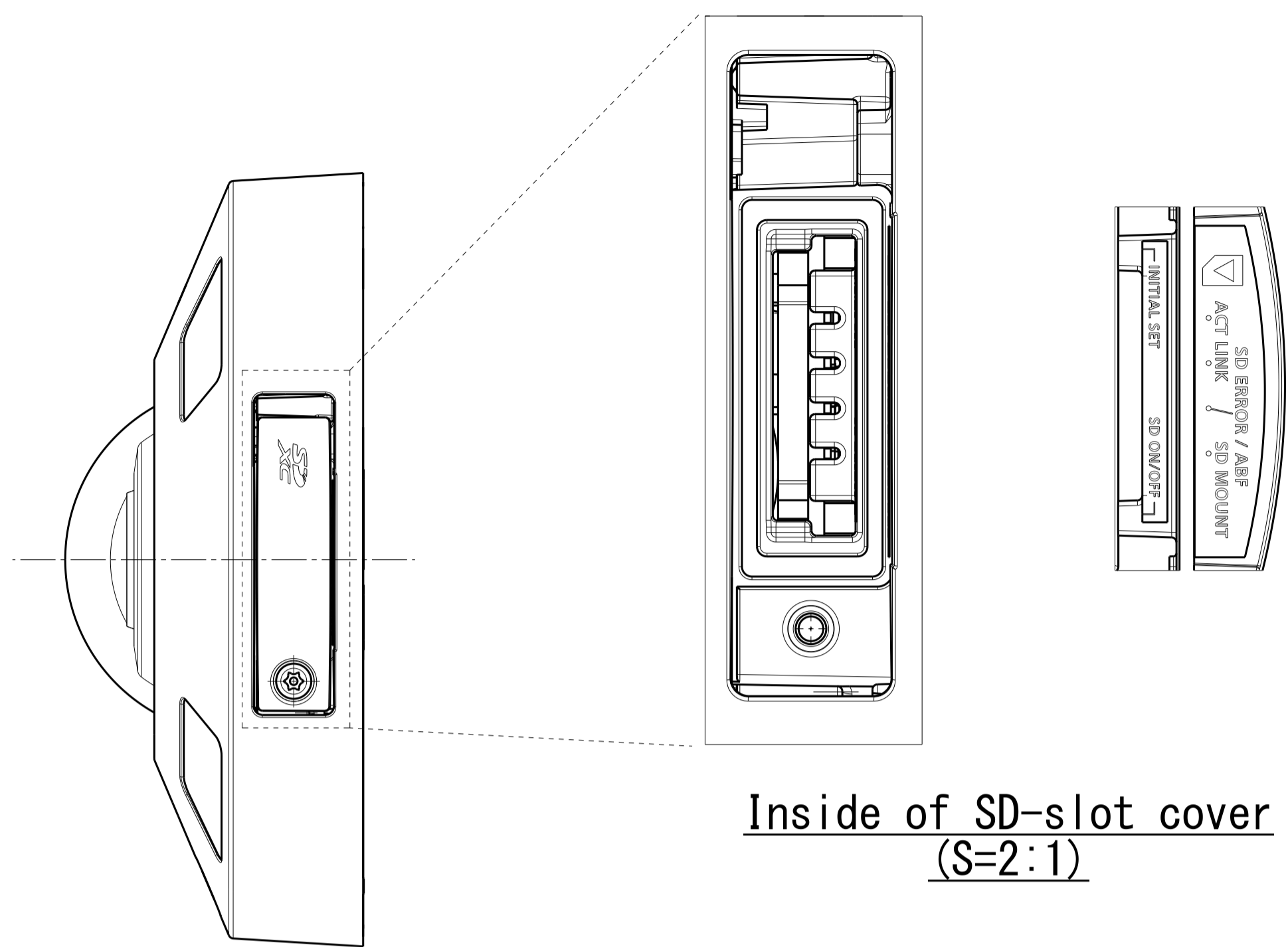


	投影面積/Projected area
側面図/Side-view	0.007 (m ²)

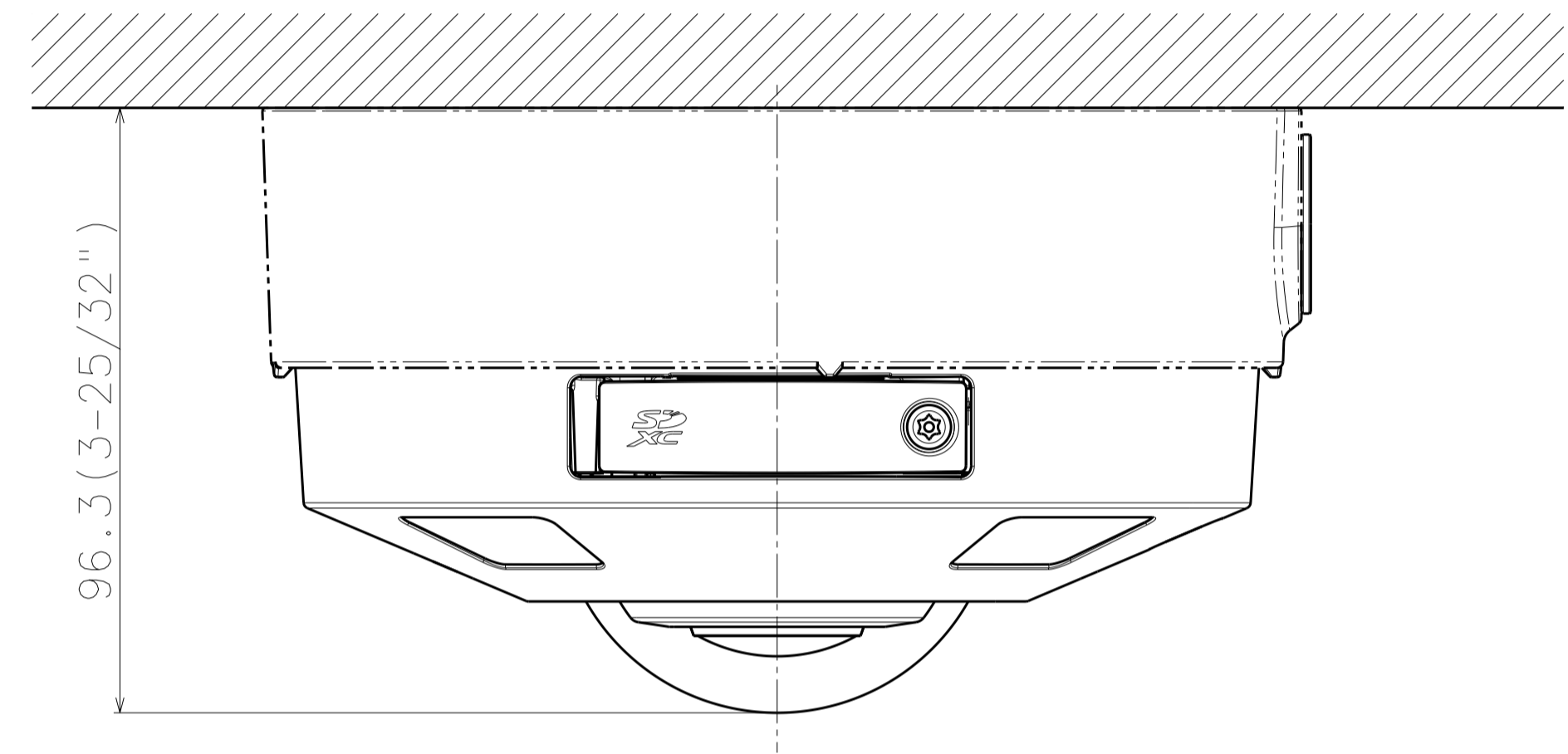
Mass : Approx. 880 g {1.94 lbs} (When using the attachment plate)

Unit:mm



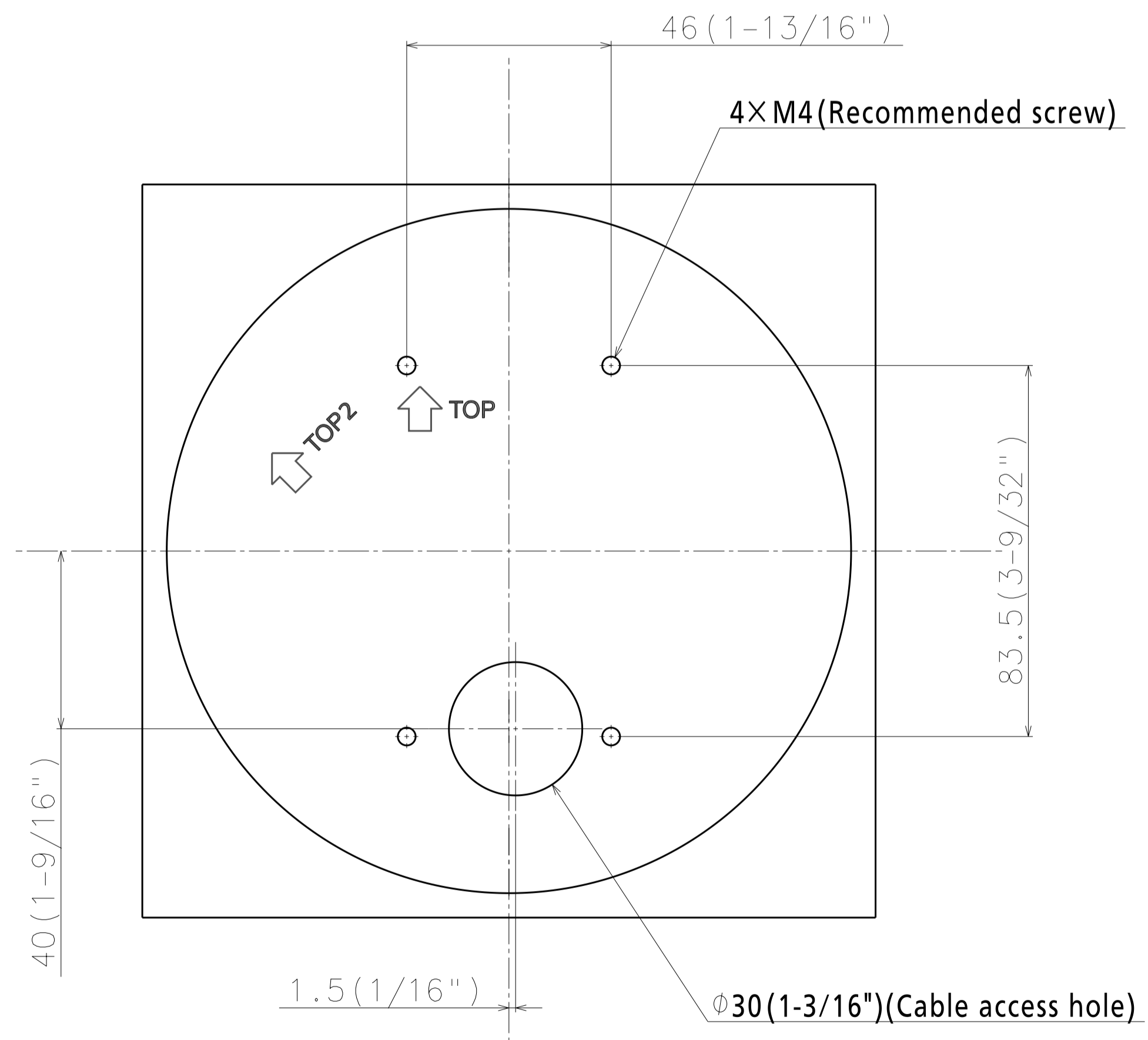


Inside of SD-slot cover
(S=2:1)



Attach to WV-QJB501-W

	投影面積/Projected area (With Base Bracket)
側面図/Side-view	0.013 (m ²)



Template for mounting

