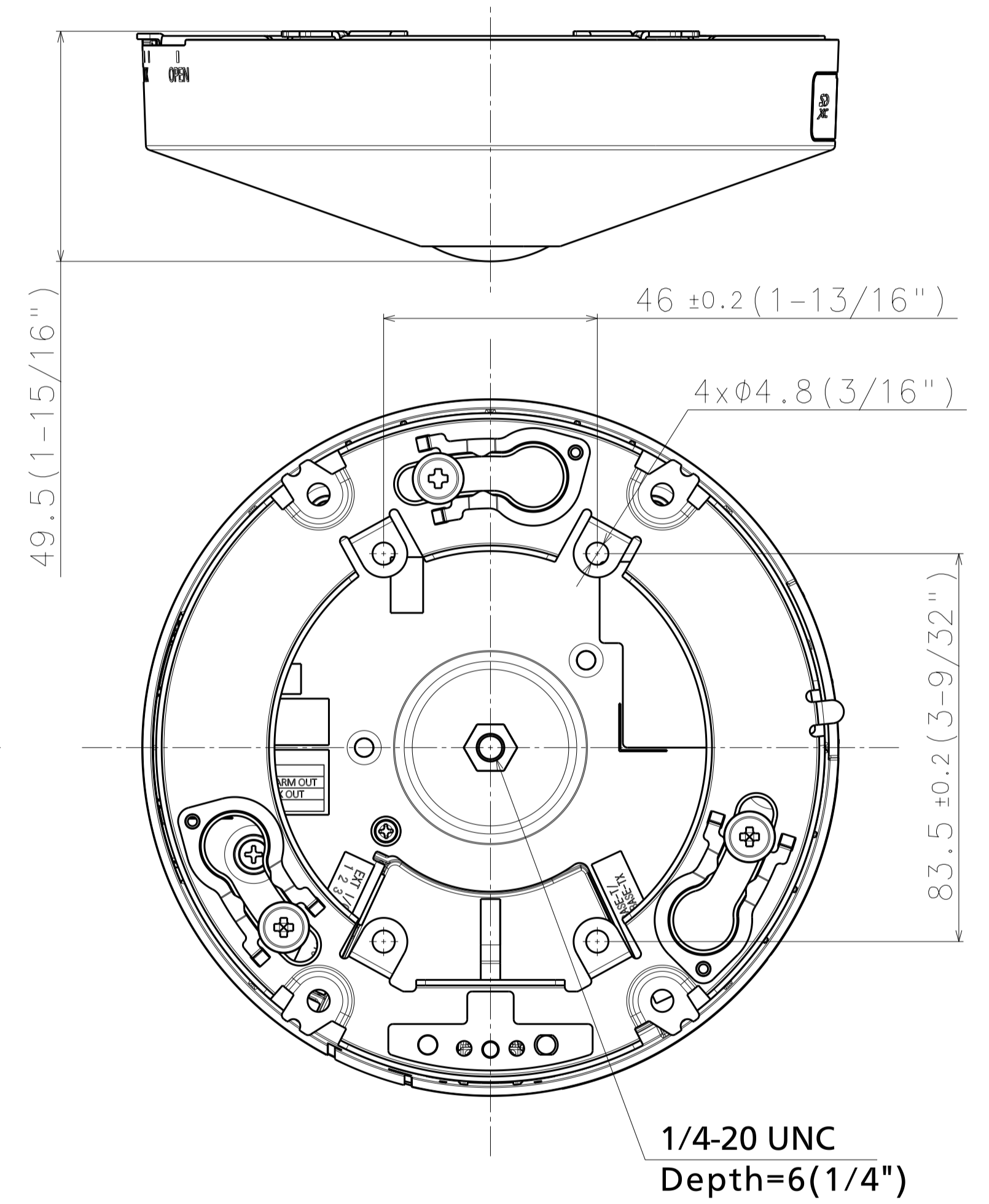
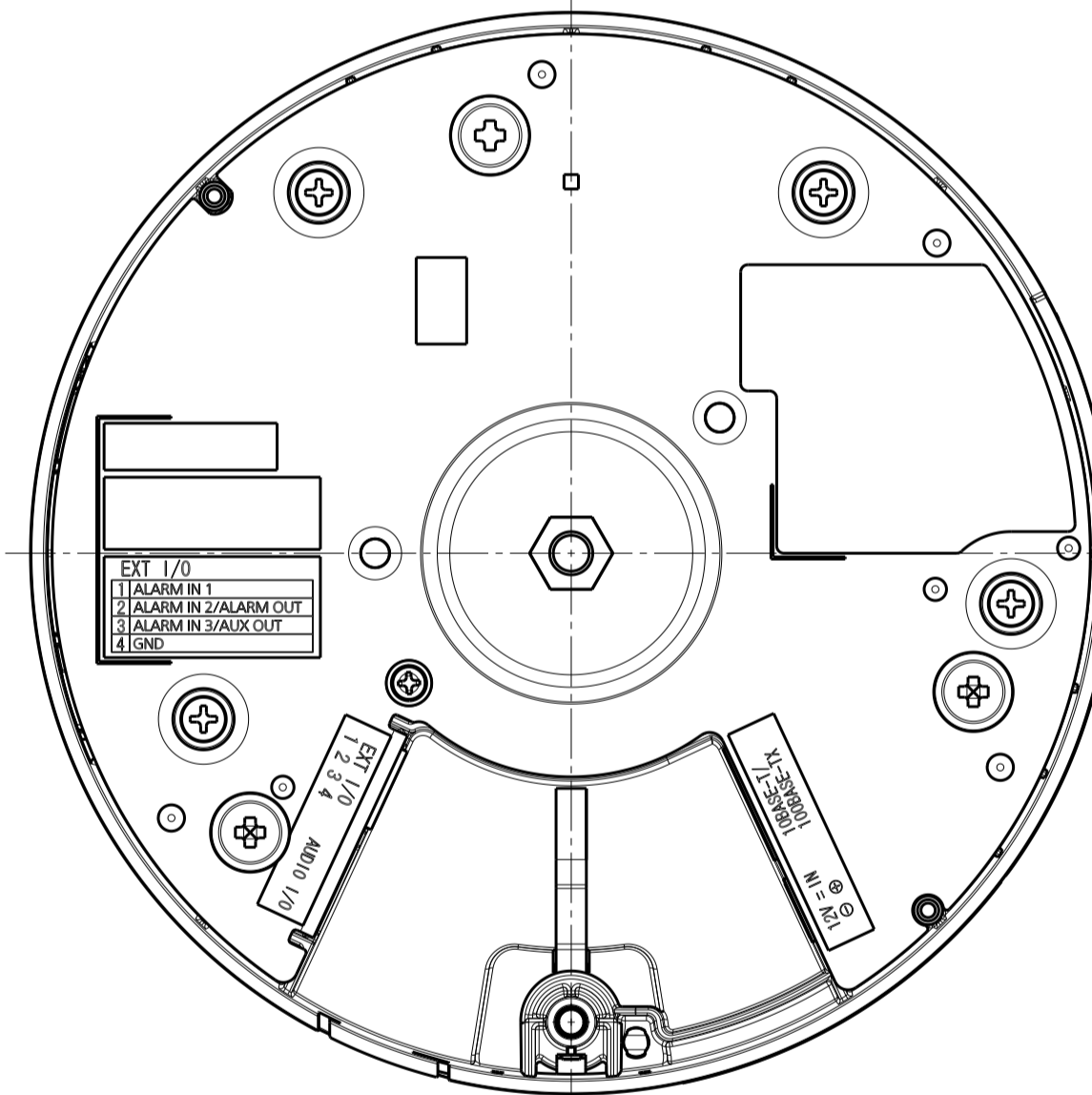


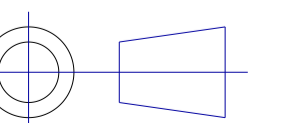
Inside of camera fixing screw cover

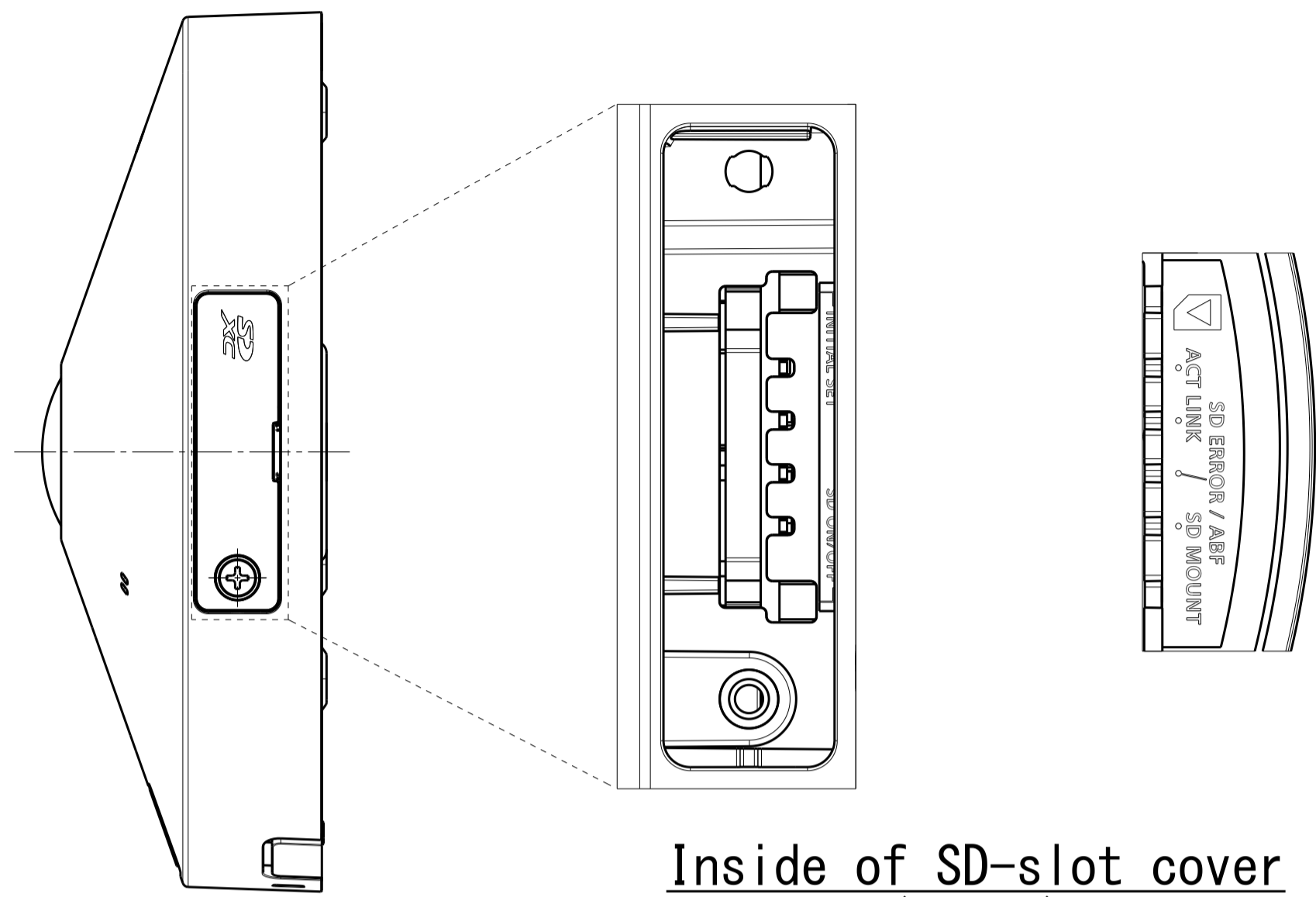


With attachment plate

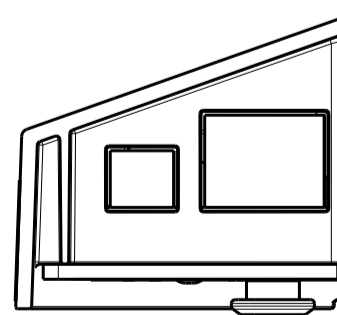
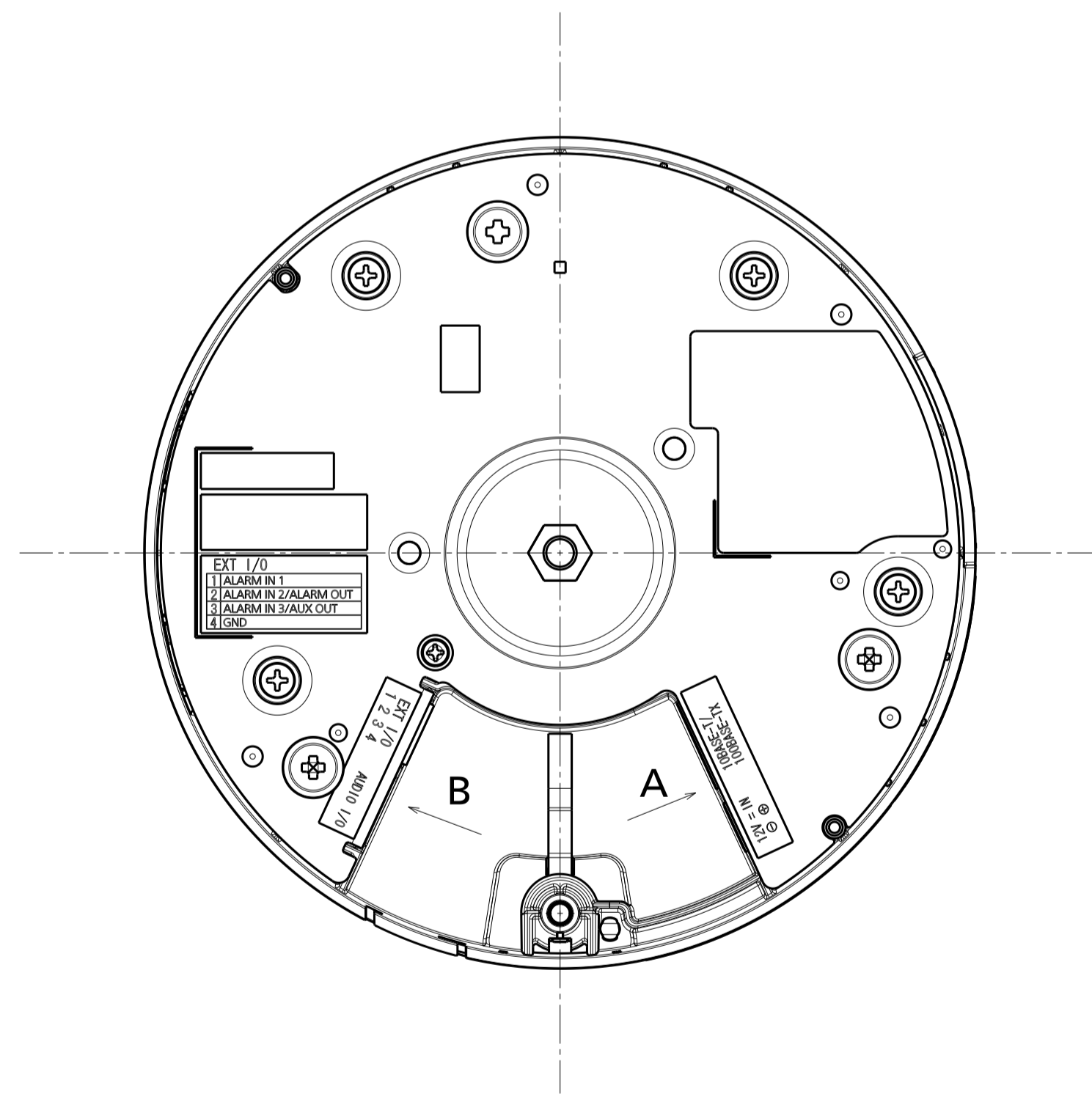
Mass : Approx. 420 g {0.93 lbs} (When using the attachment plate)

Unit:mm

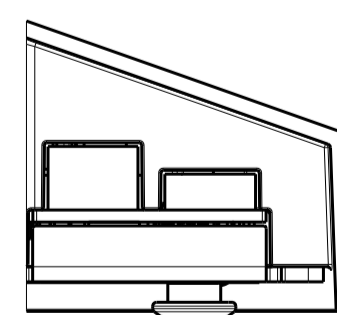




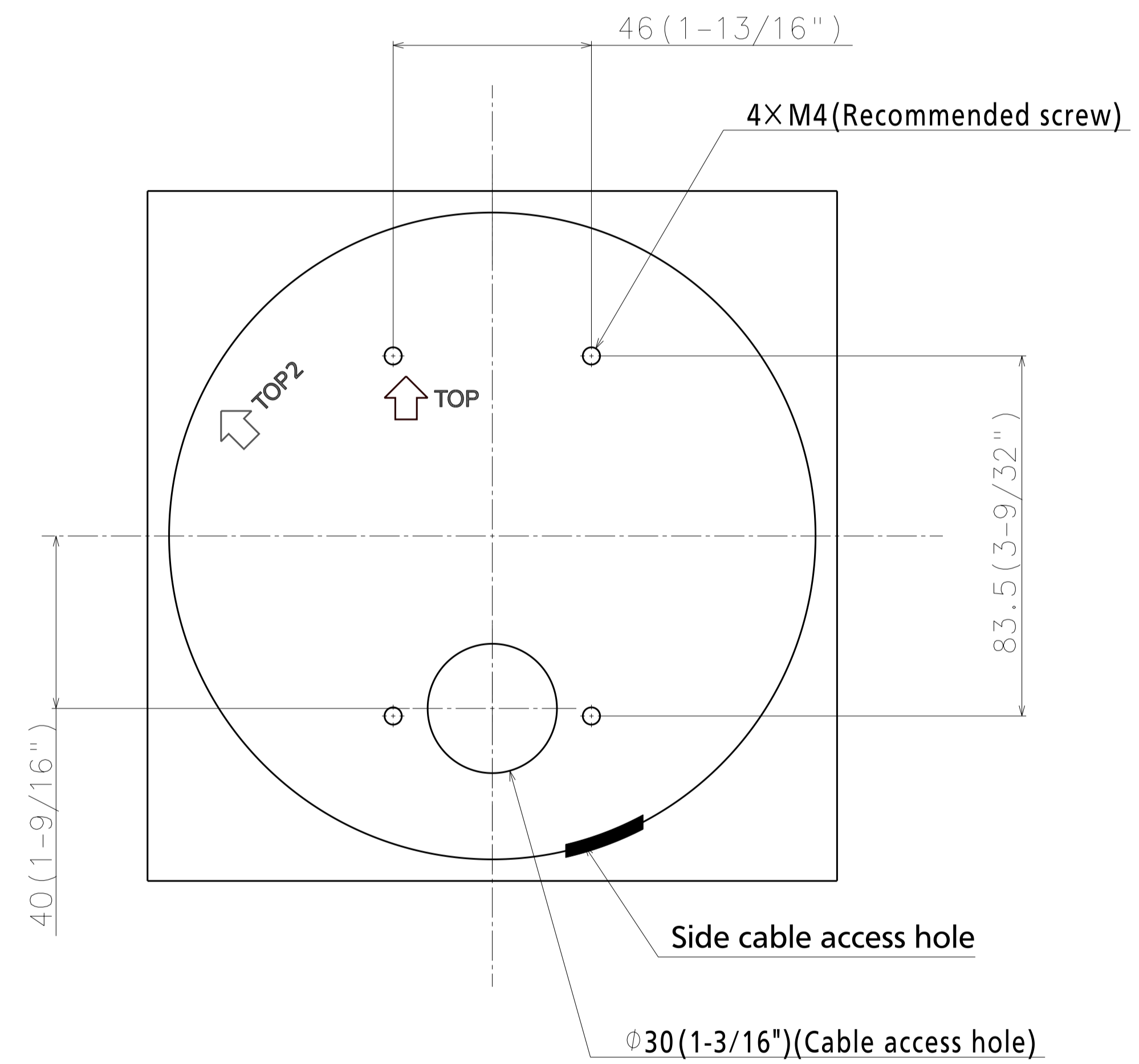
Inside of SD-slot cover
(S=2:1)



View A

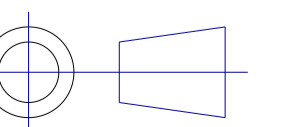


View B

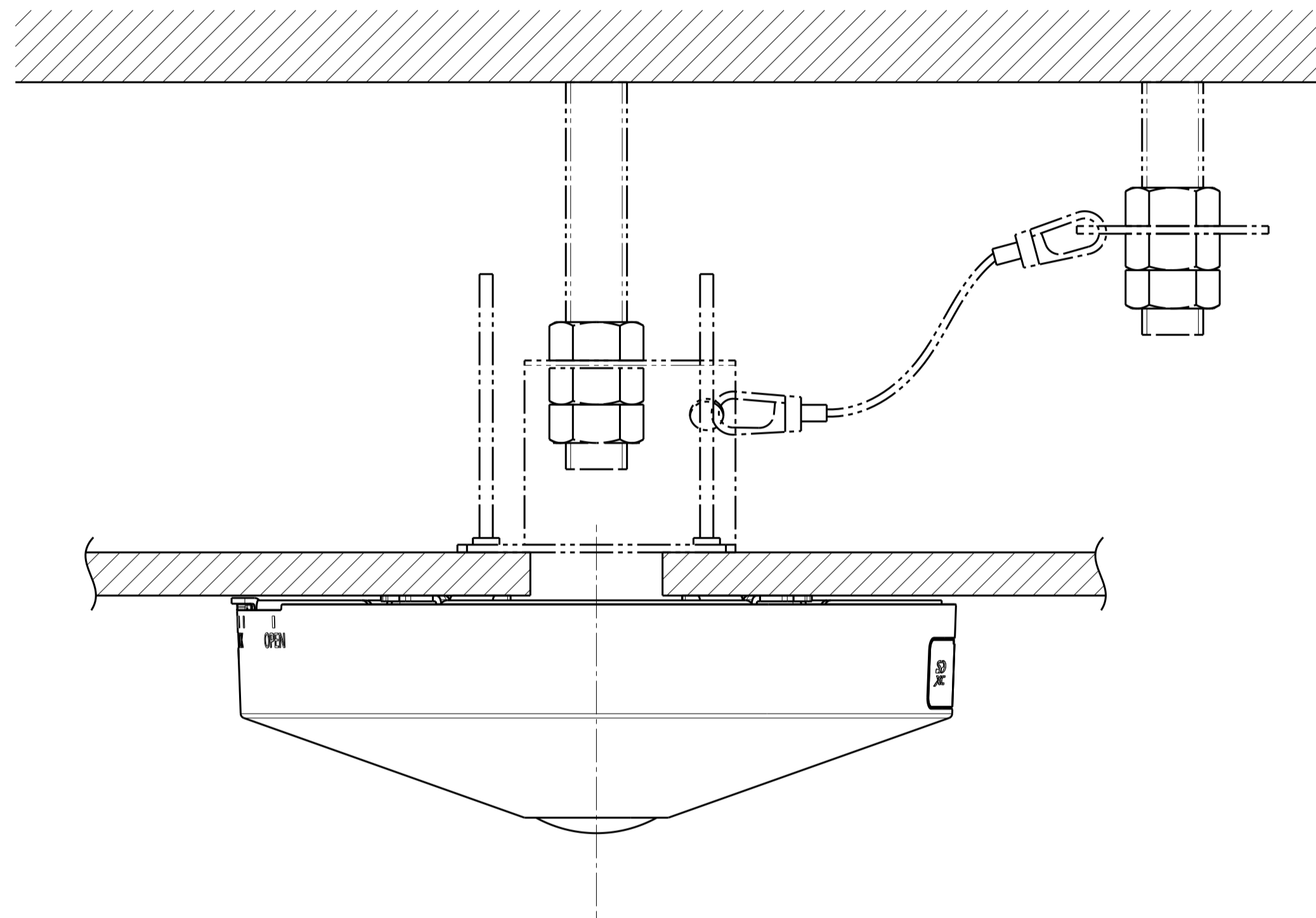


Template for mounting

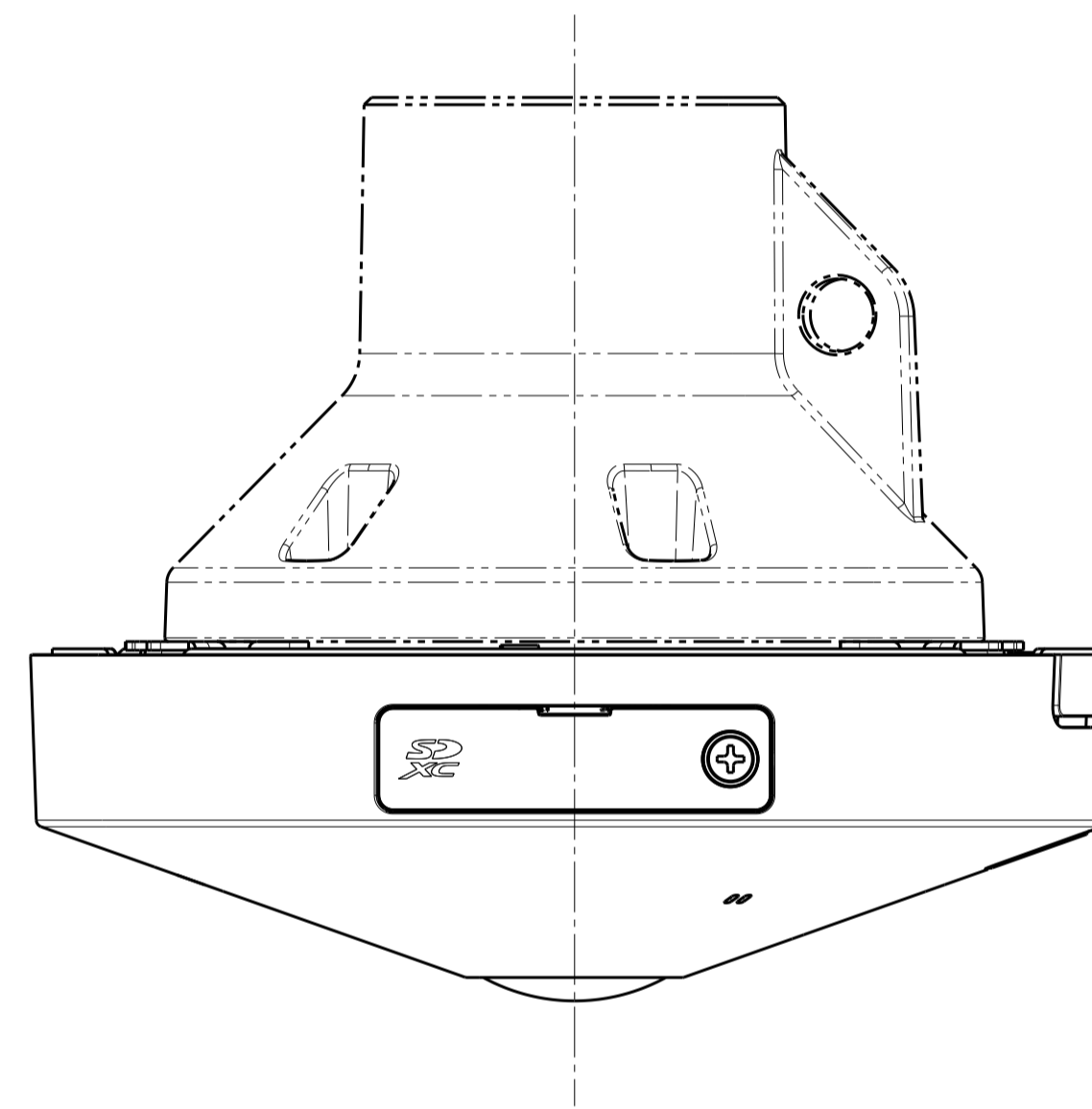
Unit:mm



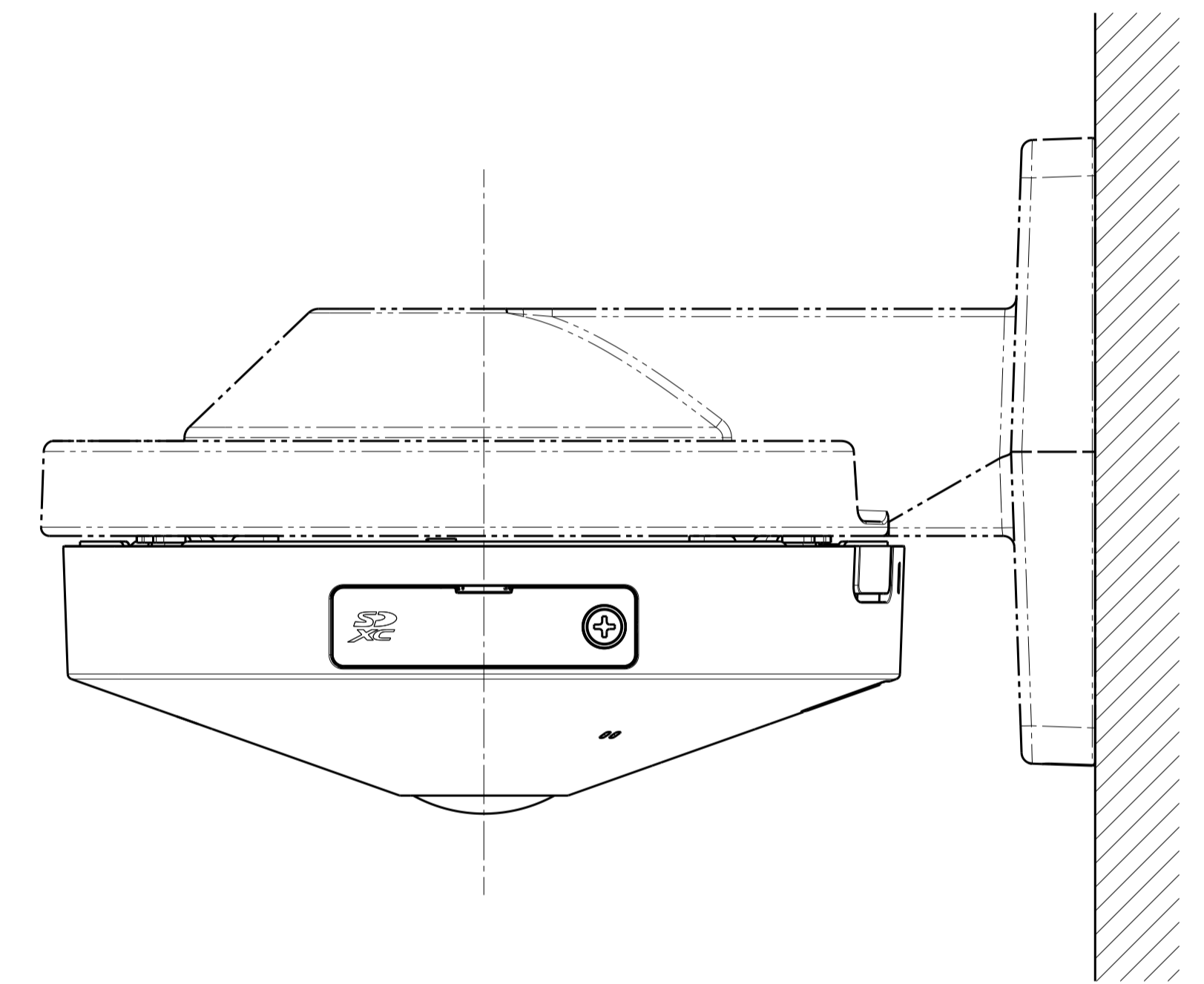
金具との組み合わせ例
Example of combination with bracket



Attach to WV-Q105A



Attach to WV-QCL100-W



Attach to WV-QWL500-W

