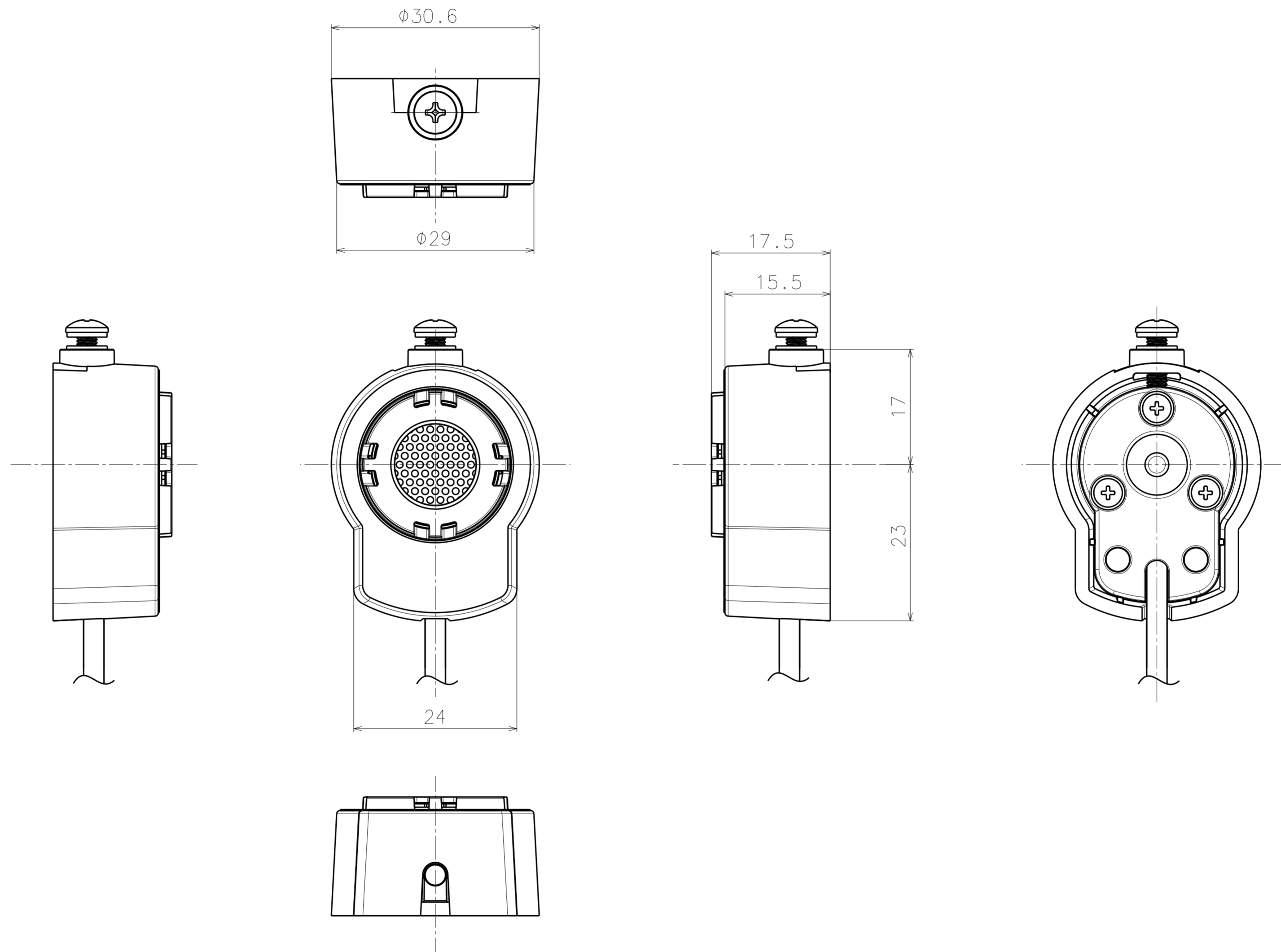


With cover A

Model number  
WV-PM500

	投影面積/Projected area
側面図/Side-view	0.001 (m <sup>2</sup> )

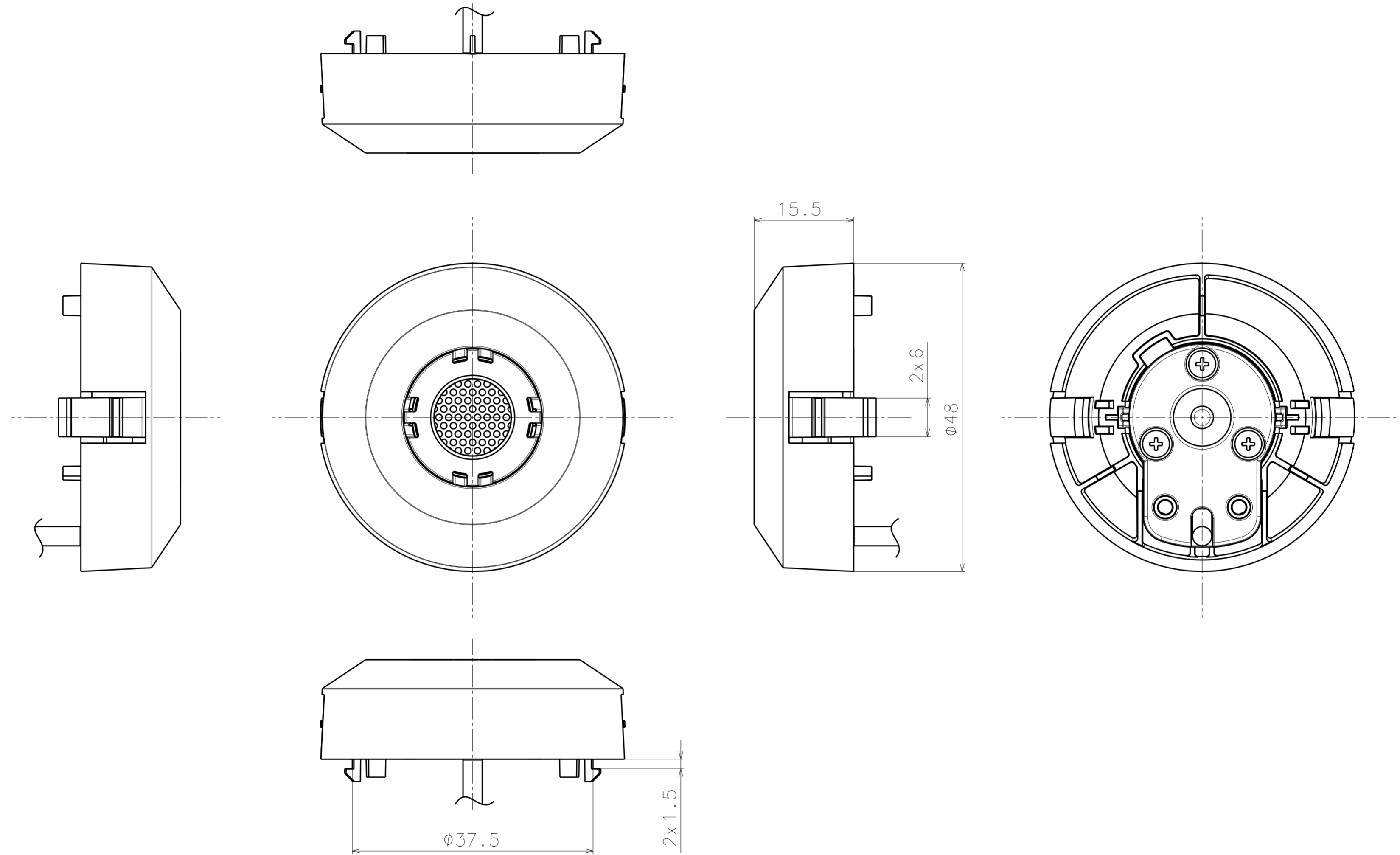
Mass : Approx. 60 g {0.13 lbs} (Including cable part)



With wall mount attachment

Model number  
WV-PM500

Mass : Approx. 60 g {0.13 lbs} (Including cable part)

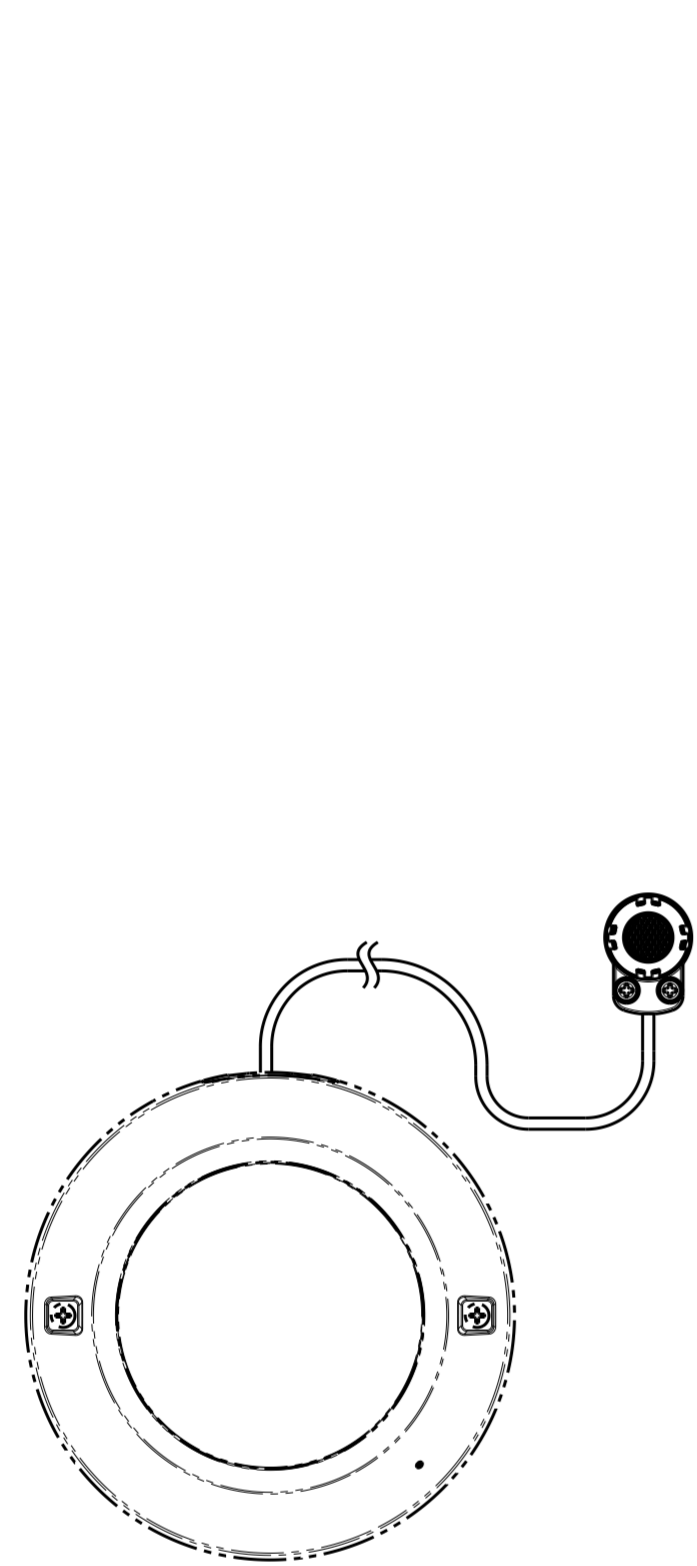


With cover B

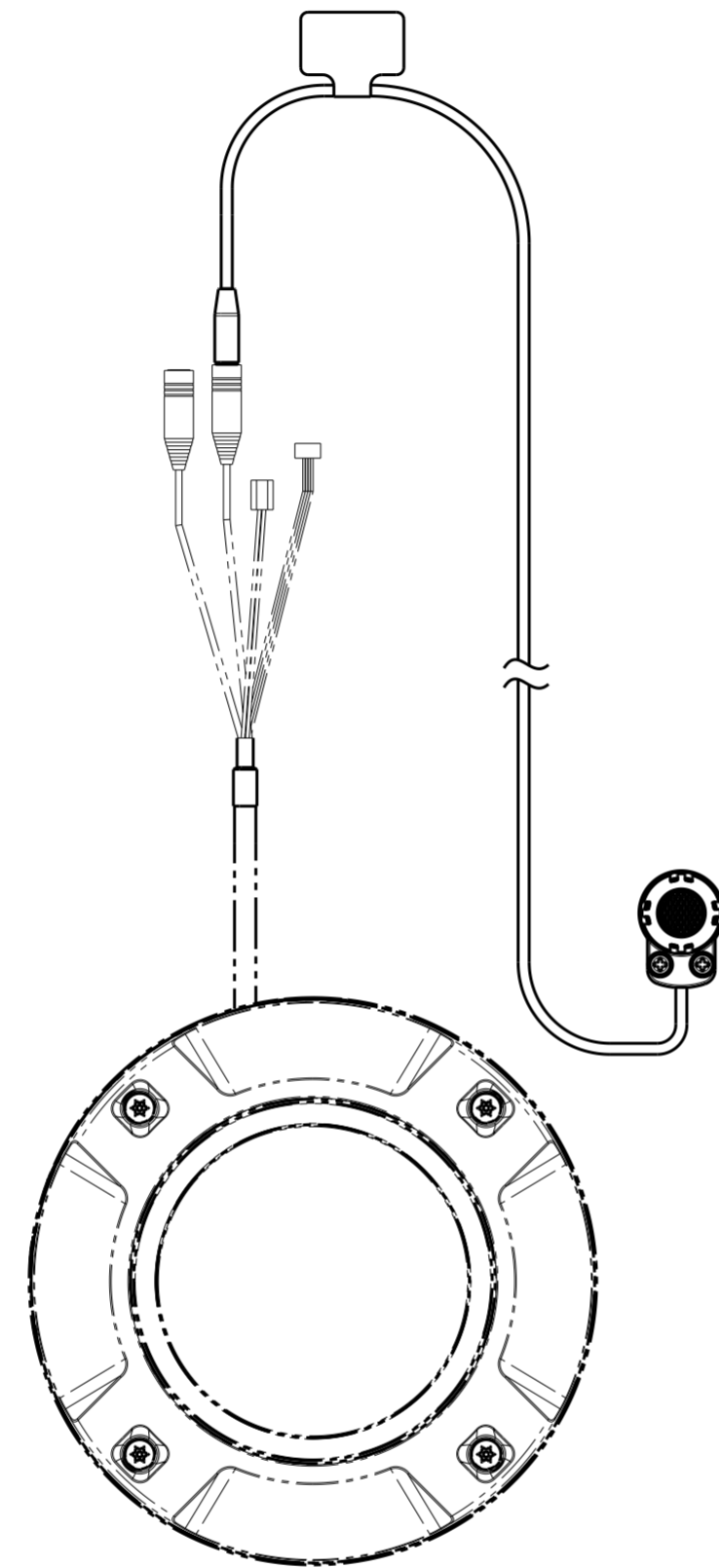
Model number  
WV-PM500

Mass : Approx. 60 g {0.13 lbs} (Including cable part)

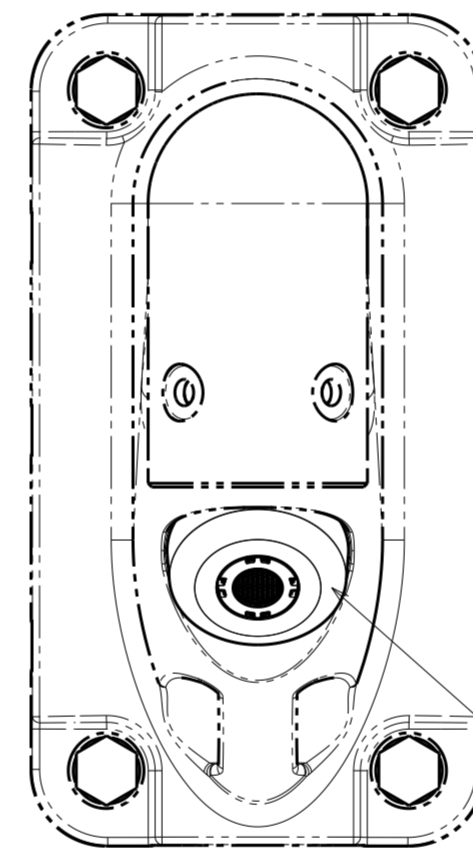
カメラと金具との組み合わせ例  
Example of combination with camera & bracket



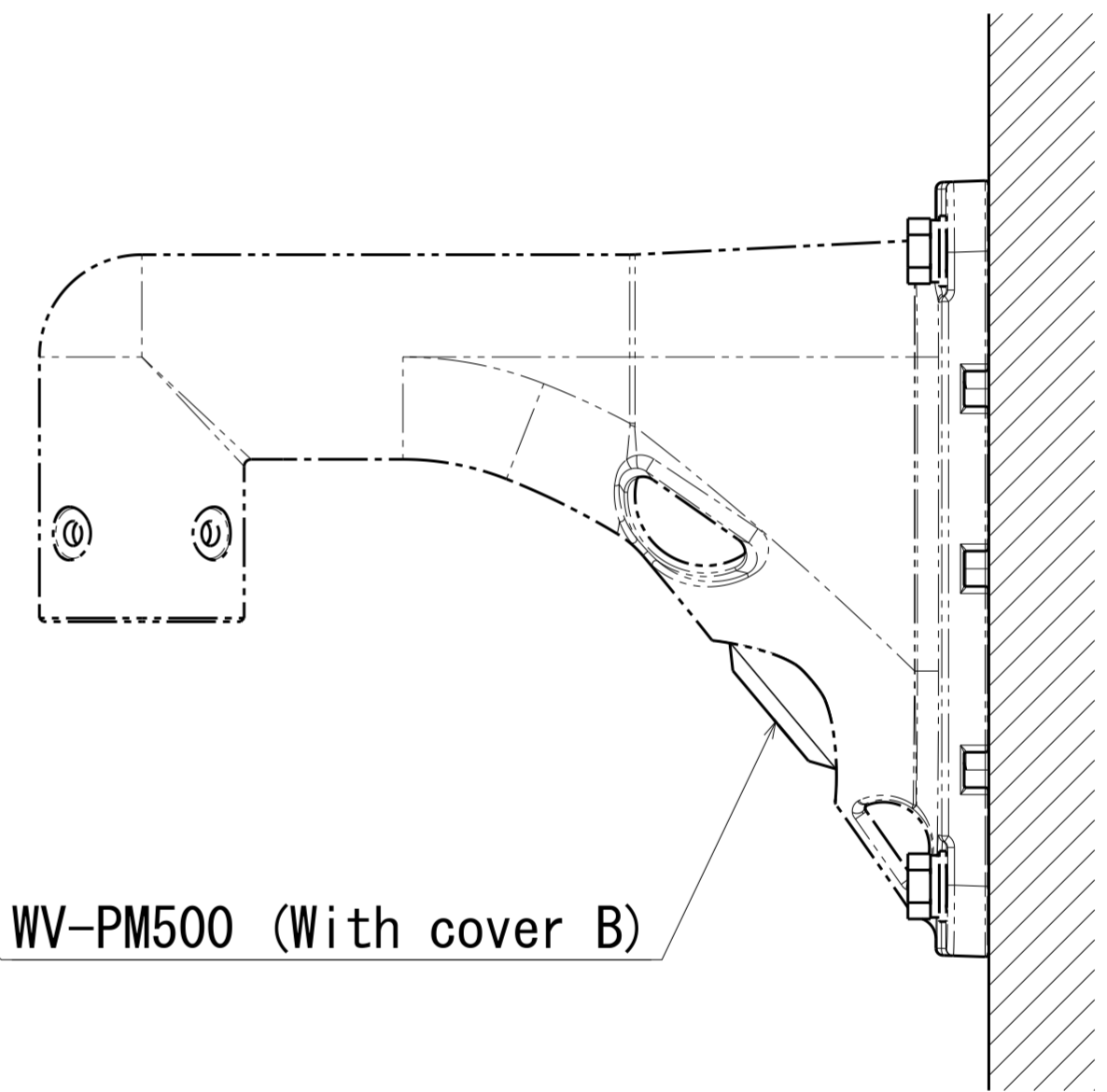
Attach to WV-S2136L\*\*



Attach to WV-S2536L\*\* & WV-QCA501\*



WV-PM500 (With cover B)



Attach to WV-QWL501\*\*

Model number
WV-PM500