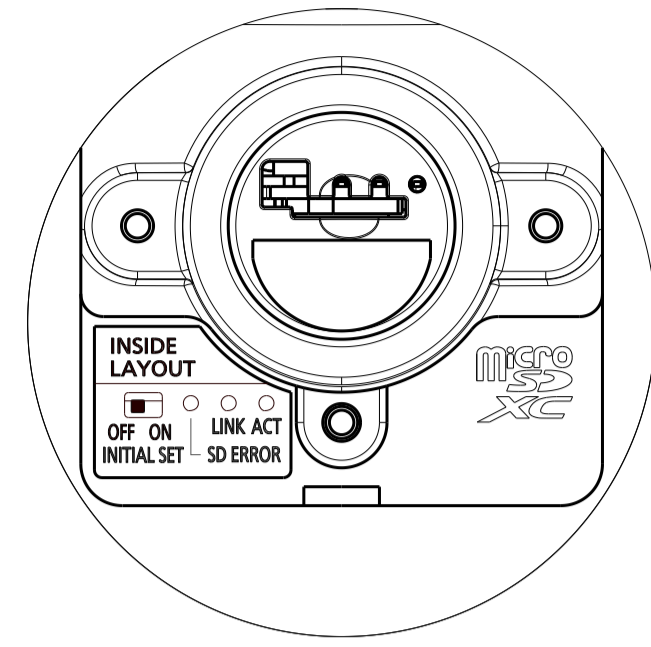
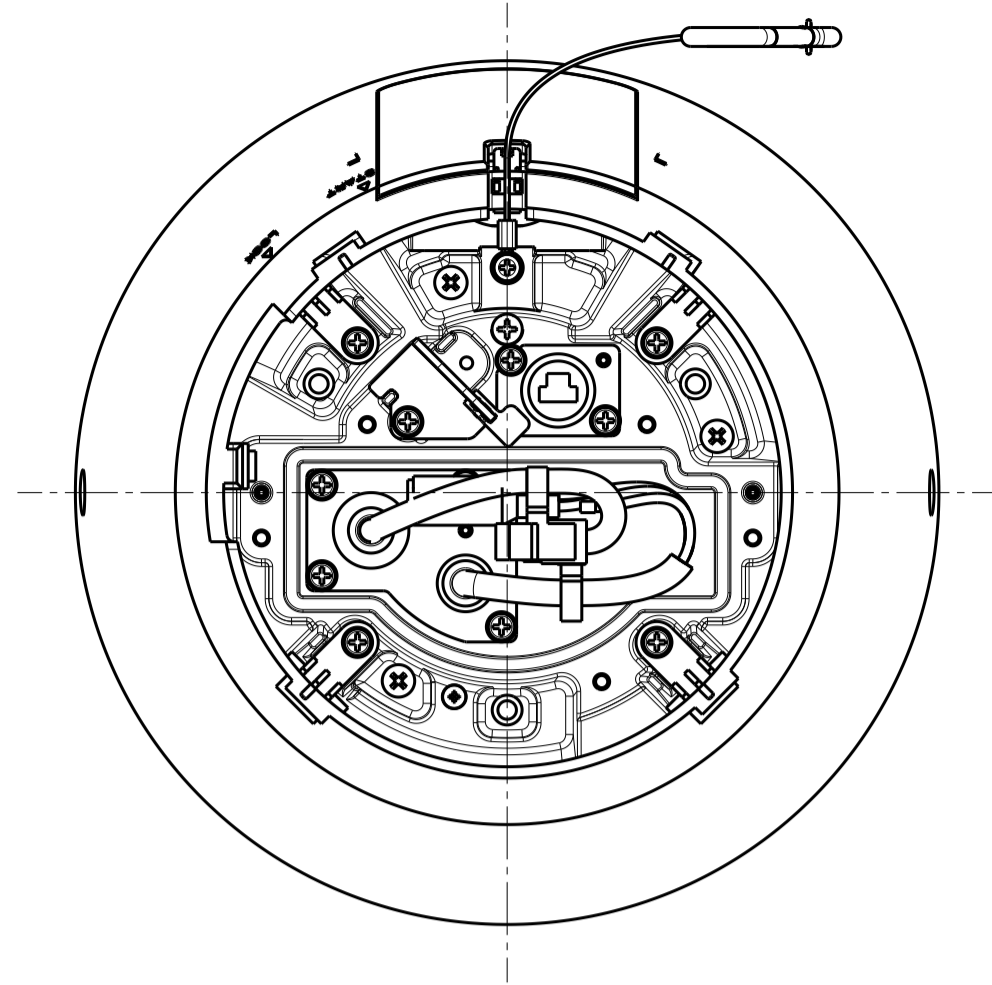


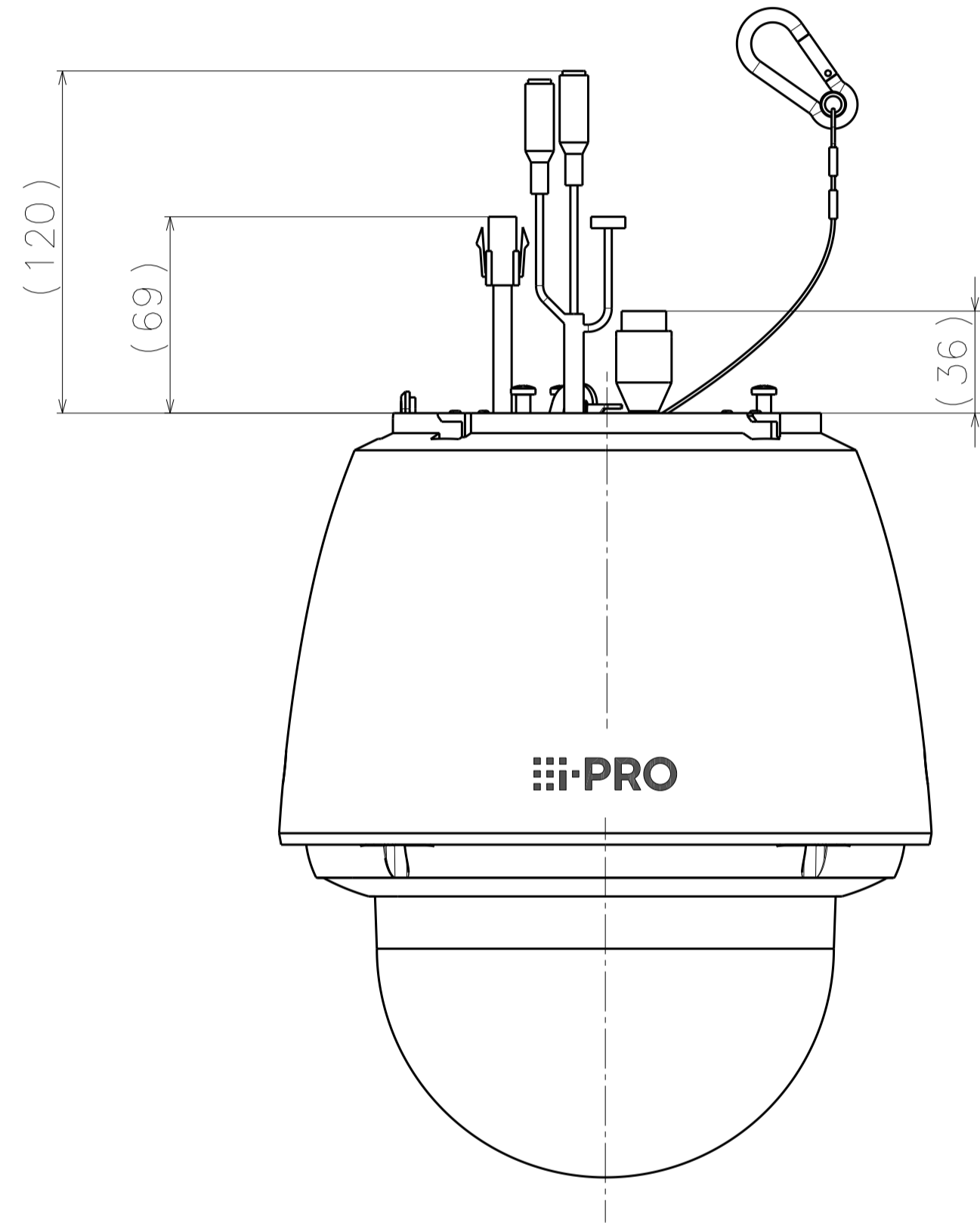
	投影面積/Projected area
平面図/Top-view	0.041 (m ²)
側面図/Side-view	0.048 (m ²)

Model number	Lens type	Dome type	Coating			
			Dome ring	Lower cover	Sunshade	Rear sunshade
WV-S65340-Z4N	x40	Clear dome (ClearSight coating)	Metallic black	Silver		
WV-S65340-Z4NJ						
WV-S65340-Z4NV						
WV-S65340-Z4NX						
WV-S65340-Z2N	x21	Clear dome (ClearSight coating)				
WV-S65340-Z2NJ						
WV-S65340-Z4K	x40	Clear dome (ClearSight coating)	Metallic black (Heavy salt damage resistance)	Silver (Heavy salt damage resistance)	i-PRO white	i-PRO white
WV-S65340-Z4KJ						
WV-S65340-Z4KV						
WV-S65340-Z2K	x21					
WV-S65340-Z2KJ						
WV-S65340-Z4G	x40	Smoke dome				
WV-S65340-Z4GV						
WV-S65340-Z2G	x21					
WV-S65340-Z4N1	x40	Clear dome (ClearSight coating)	Metallic black	Silver	Black	Black
WV-S65340-Z4N1J						
WV-S65340-Z2N1	x21					
WV-S65340-Z2N1J						
WV-S65340-Z4	x40	Clear dome (Non ClearSight coating)	Metallic black	Silver	i-PRO white	i-PRO white
WV-S65340-Z2	x21					

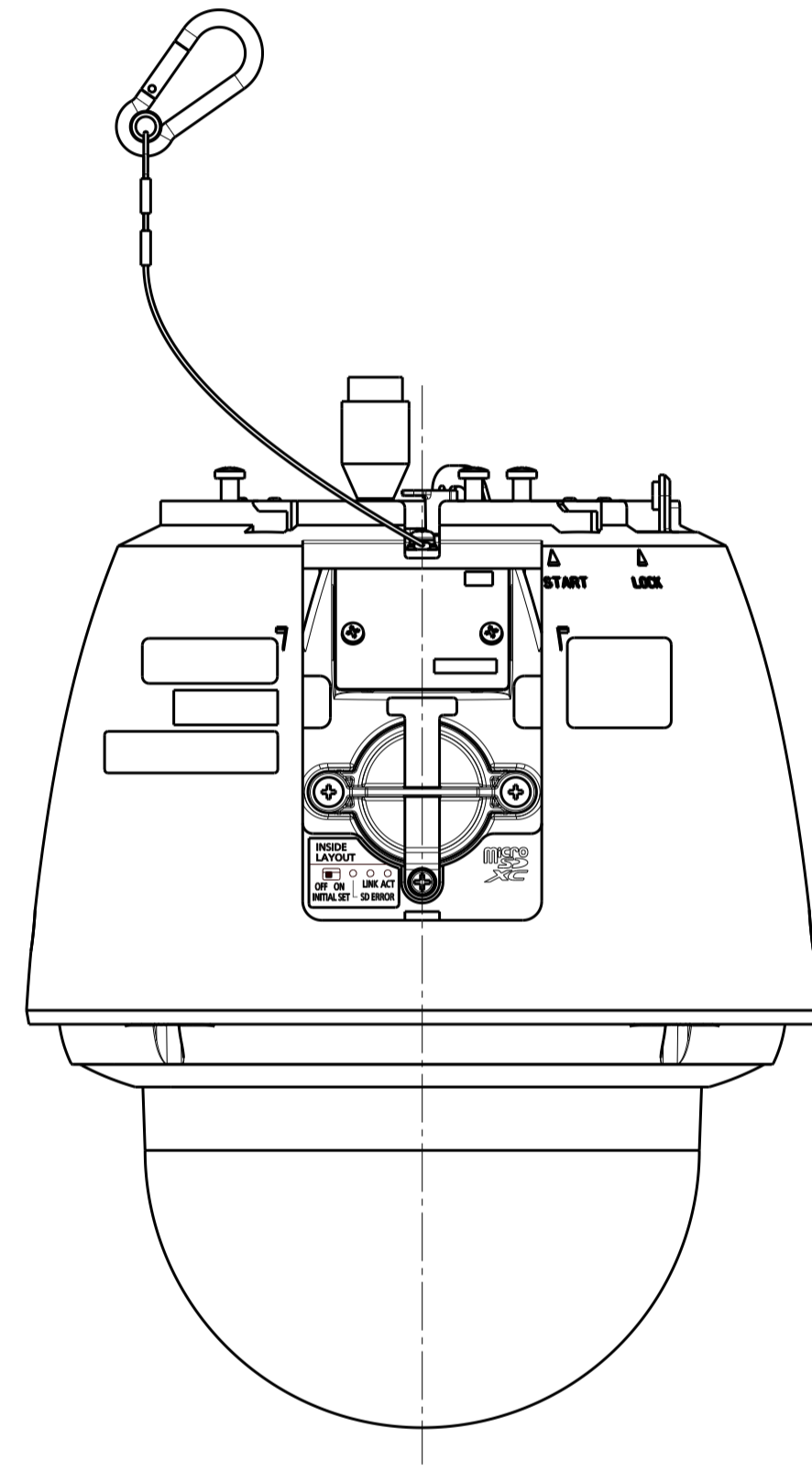
Moss : Approx. 4.3 kg {9.49 lbs} (Lens type : x40)
 Approx. 4.2 kg {9.27 lbs} (Lens type : x21)



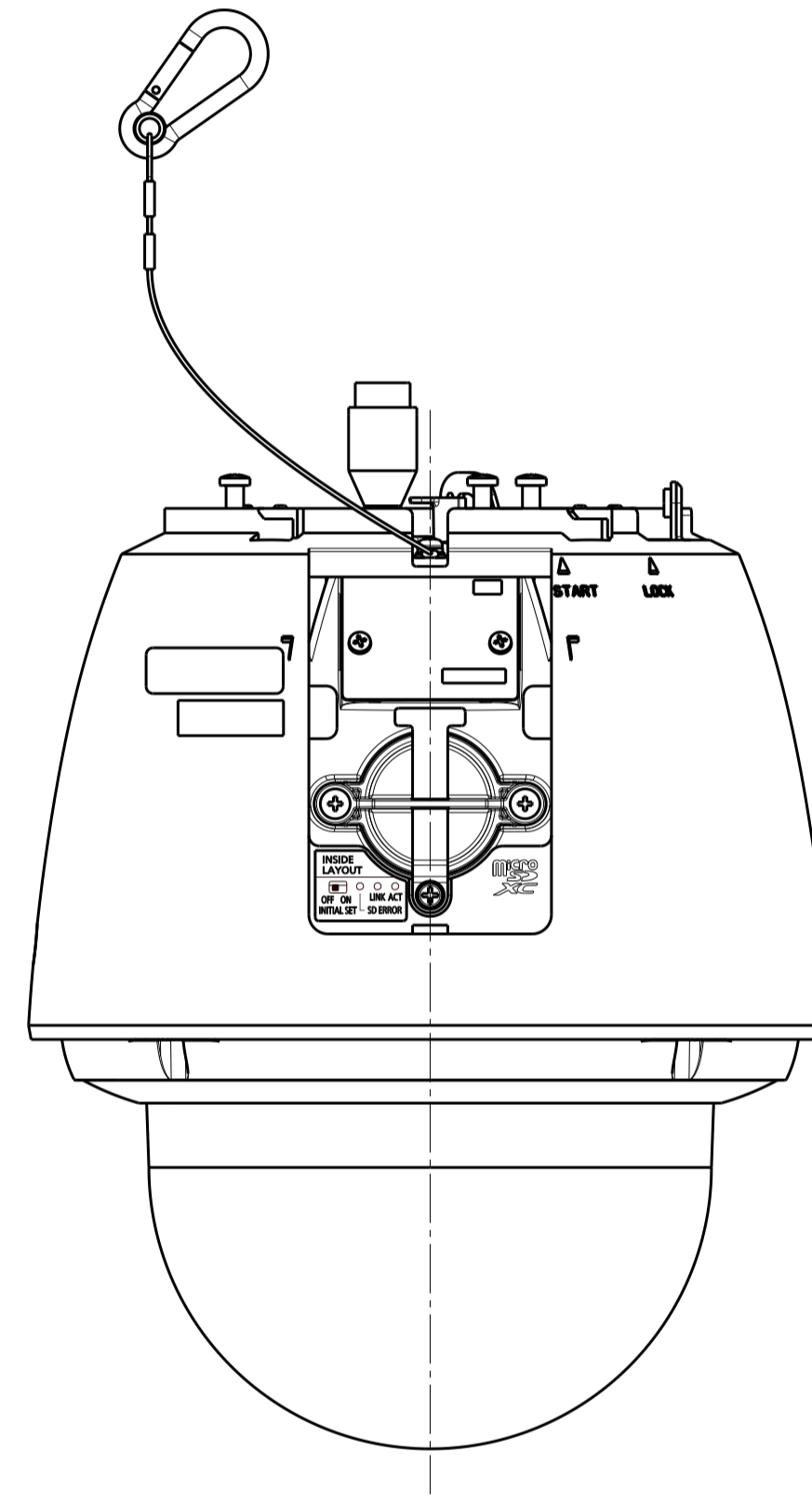
Inside the waterproof cap
S=1:1



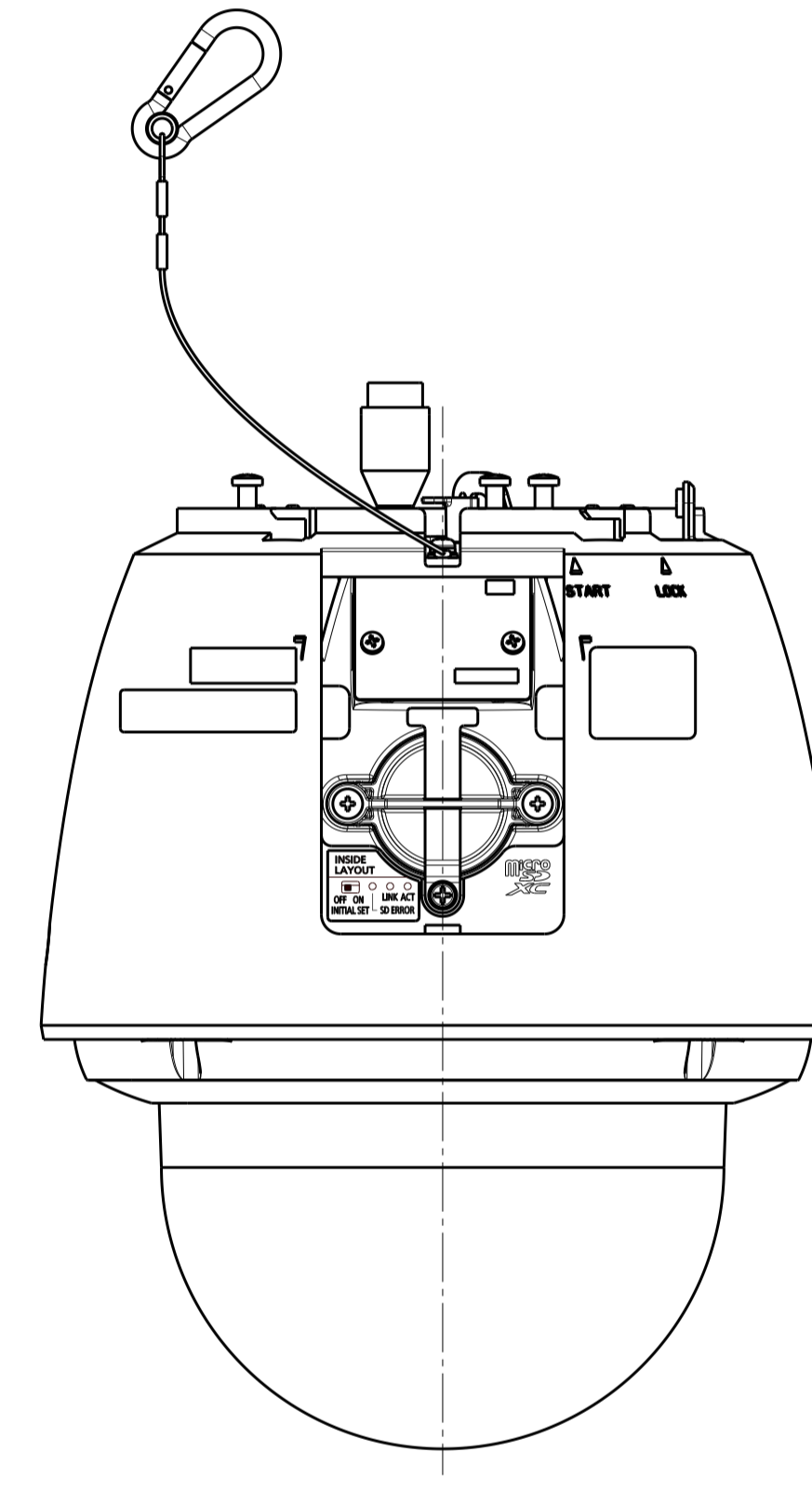
Inside the cable case



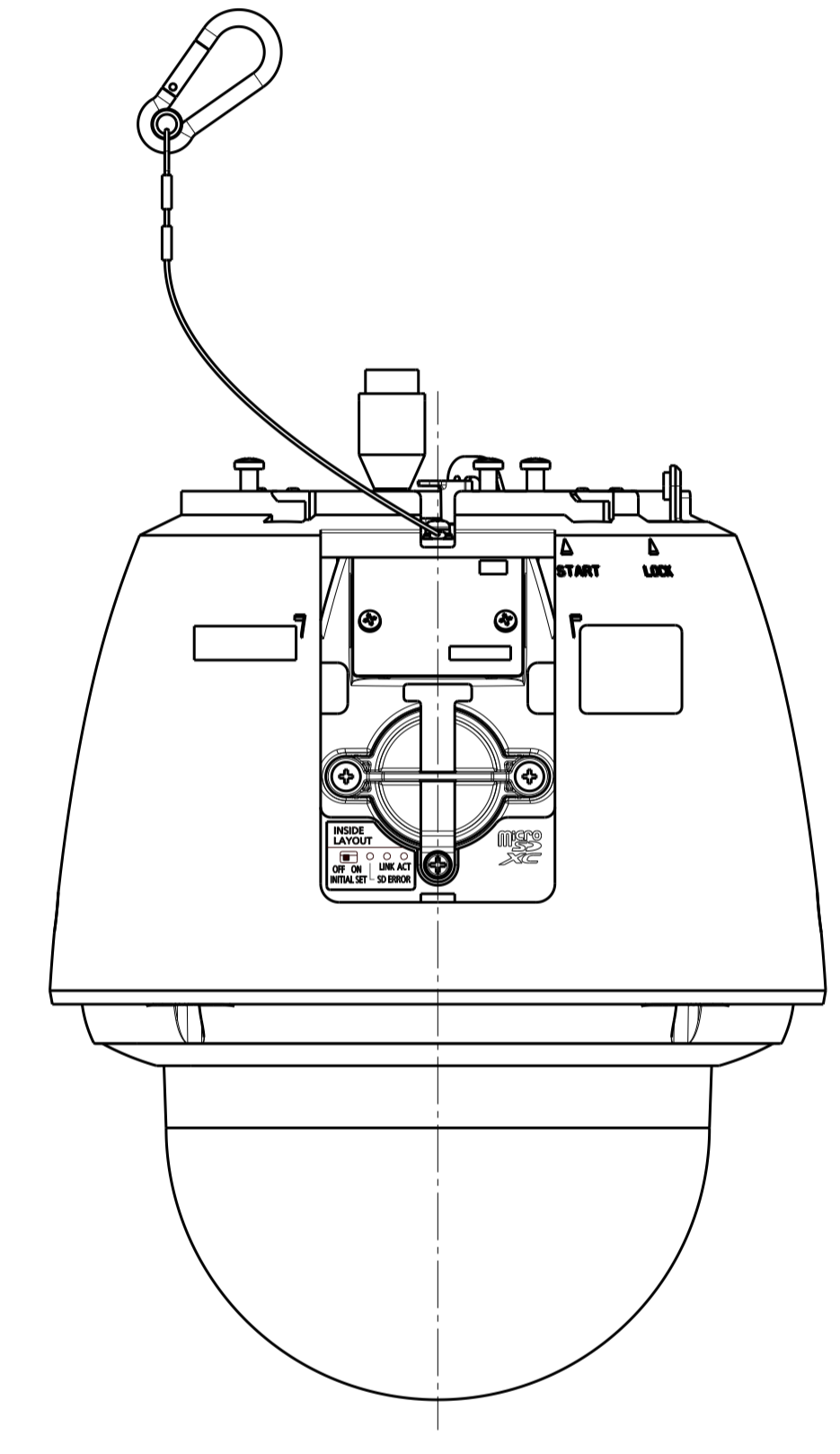
Subject
WV-S65340-Z4N
WV-S65340-Z2N
WV-S65340-Z4K
WV-S65340-Z2K



Subject
WV-S65340-Z4NJ
WV-S65340-Z2NJ
WV-S65340-Z4KJ
WV-S65340-Z2KJ
WV-S65340-Z4N1J
WV-S65340-Z2N1J



Subject
WV-S65340-Z4G
WV-S65340-Z2G
WV-S65340-Z4N1
WV-S65340-Z2N1
WV-S65340-Z4
WV-S65340-Z2
WV-S65340-Z4NX

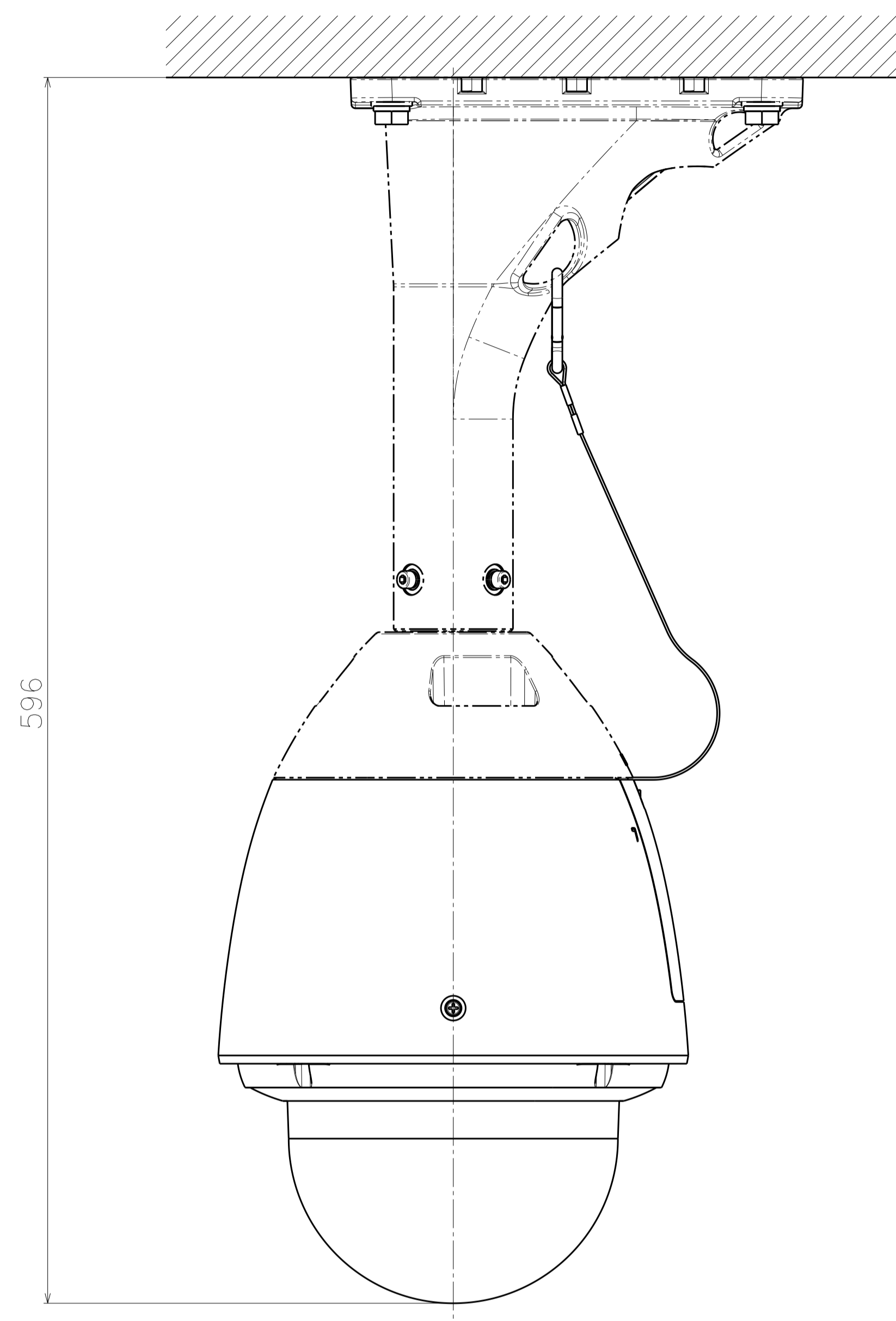


Subject
WV-S65340-Z4NV
WV-S65340-Z4KV
WV-S65340-Z4GV

Inside the rear sunshade

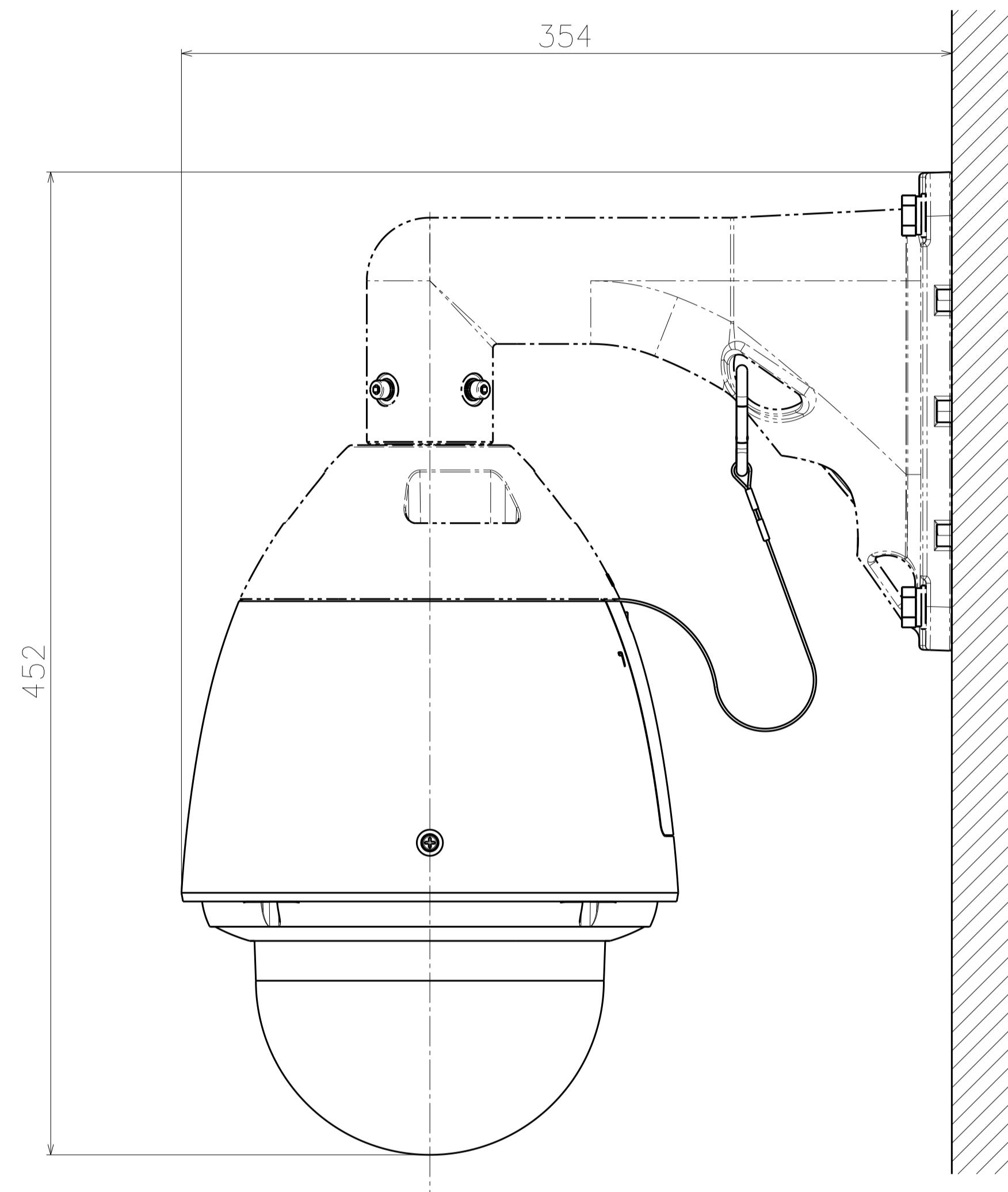
Model number	Model number
WV-S65340-Z4N	WV-S65340-Z4G
WV-S65340-Z4NJ	WV-S65340-Z4GV
WV-S65340-Z4NV	WV-S65340-Z2G
WV-S65340-Z4NX	WV-S65340-Z4N1
WV-S65340-Z2N	WV-S65340-Z4N1J
WV-S65340-Z2NJ	WV-S65340-Z2N1
WV-S65340-Z4K	WV-S65340-Z2N1J
WV-S65340-Z4KJ	WV-S65340-Z4
WV-S65340-Z4KV	WV-S65340-Z2
WV-S65340-Z2K	
WV-S65340-Z2KJ	

金具との組み合わせ例
Example of combination with bracket



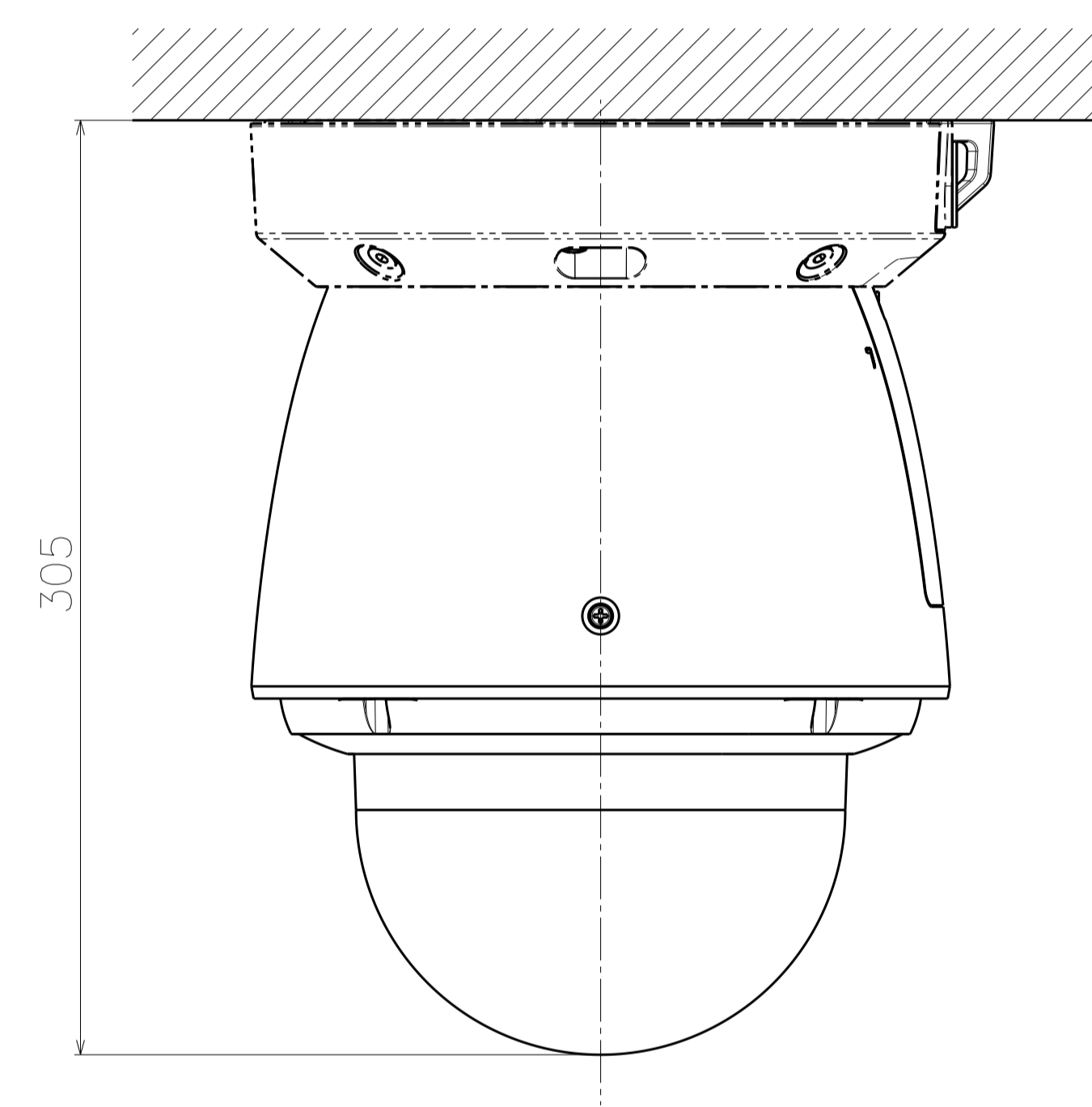
Attach to WV-QCL501** & WV-QSR504**

	投影面積/Projected area
側面図/Side-view	0.080 (m ²)
平面図/Side-view	0.048 (m ²)



Attach to WV-QWL501** & WV-QSR504**

	投影面積/Projected area
側面図/Side-view	0.083 (m ²)
平面図/Side-view	0.050 (m ²)



Attach to WV-QCL500**

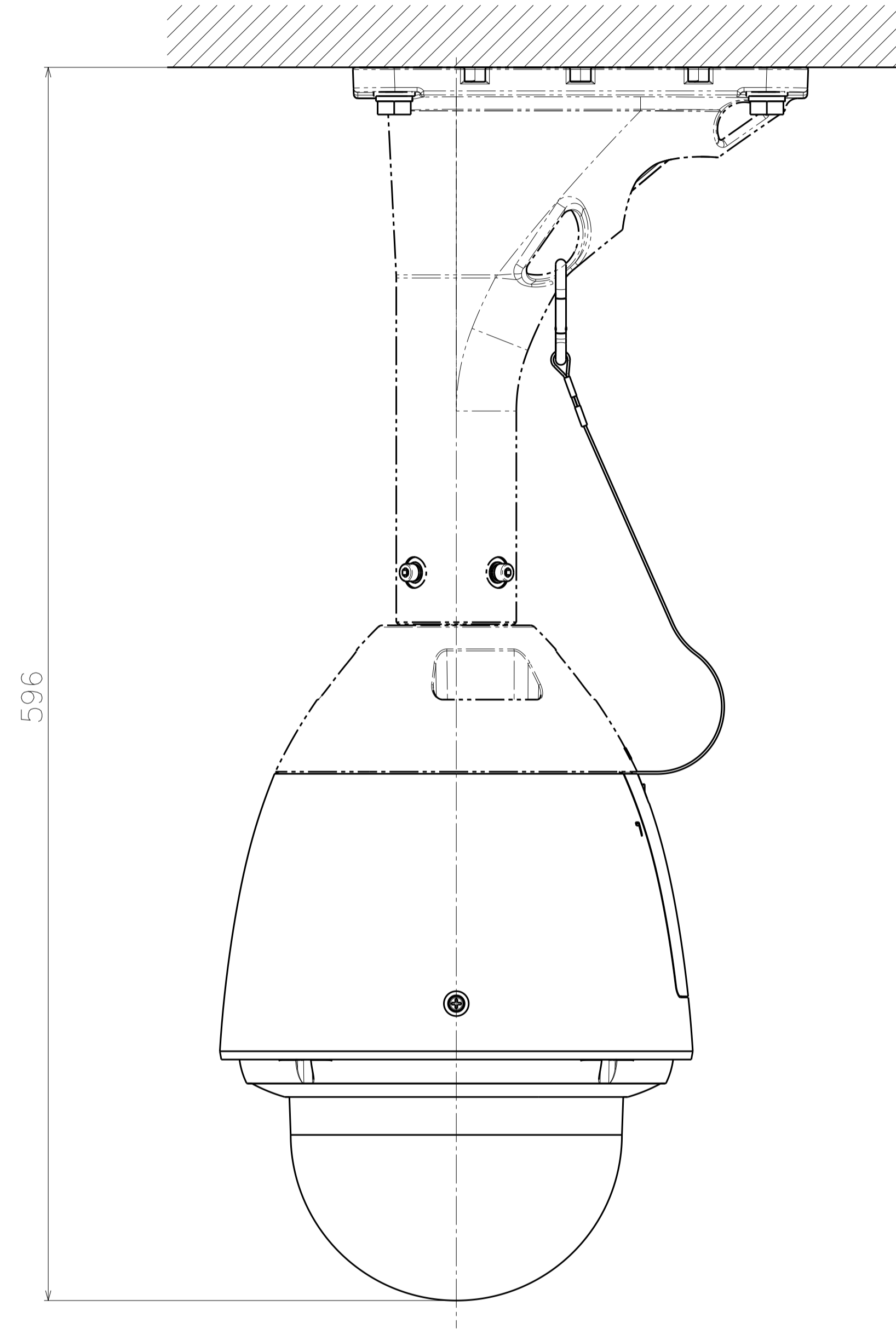
	投影面積/Projected area
側面図/Side-view	0.057 (m ²)

Model number
WV-S65340-Z4N
WV-S65340-Z4NJ
WV-S65340-Z4NV
WV-S65340-Z4NX
WV-S65340-Z2N
WV-S65340-Z2NJ

Model number
WV-S65340-Z4G
WV-S65340-Z4GV
WV-S65340-Z2G
WV-S65340-Z4N1
WV-S65340-Z4N1J
WV-S65340-Z2N1
WV-S65340-Z2N1J
WV-S65340-Z4
WV-S65340-Z2

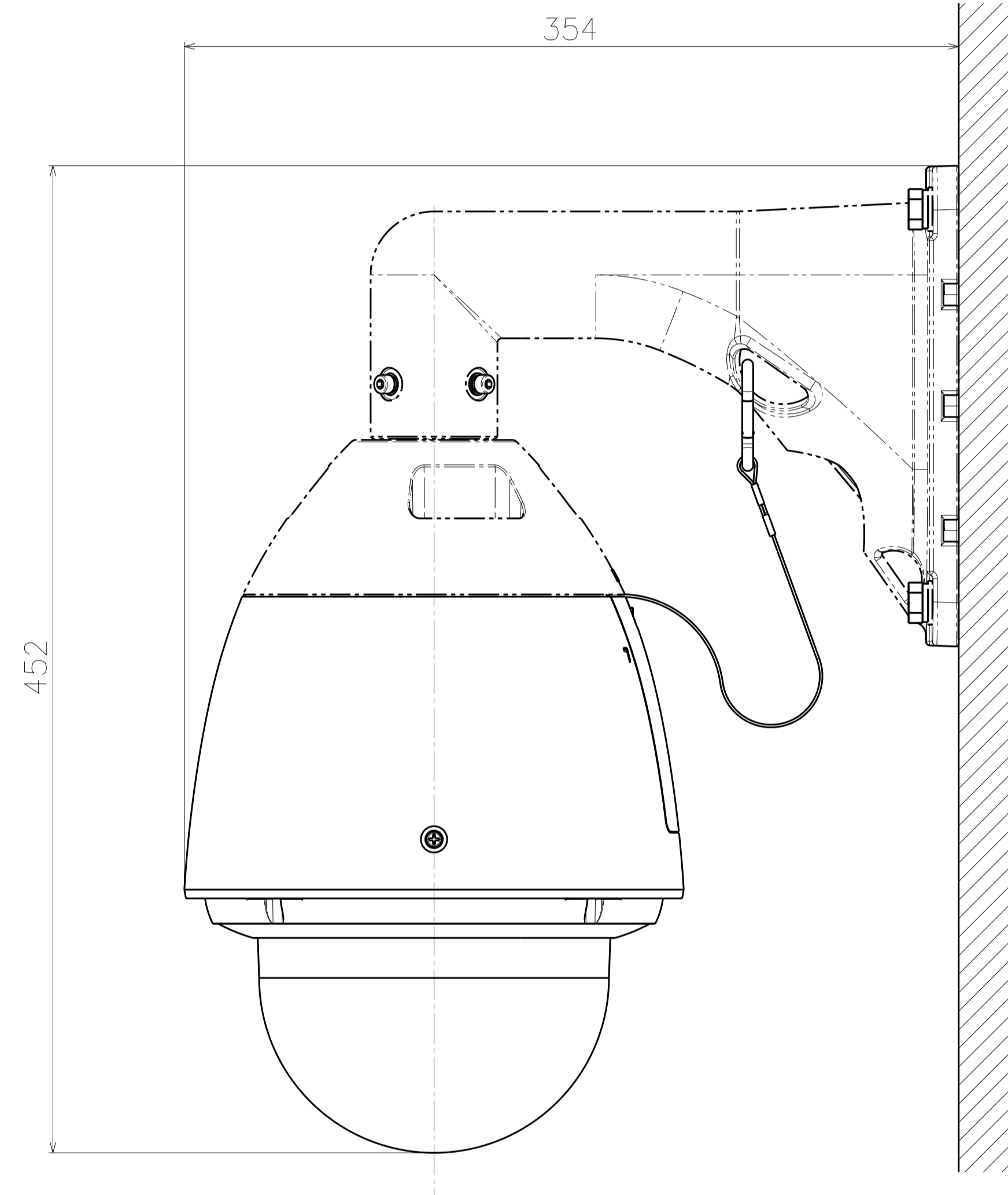
金具との組み合わせ例
Example of combination with bracket

耐重塩害モデル
Heavy salt damage version



Attach to WV-QCL501** & WV-QSR504**

	投影面積/Projected area
側面図/Side-view	0.080 (m ²)
平面図/Side-view	0.048 (m ²)



Attach to WV-QWL501** & WV-QSR504**

	投影面積/Projected area
側面図/Side-view	0.083 (m ²)
平面図/Side-view	0.050 (m ²)

Model number
WV-S65340-Z4K
WV-S65340-Z4KJ
WV-S65340-Z4KV
WV-S65340-Z2K
WV-S65340-Z2KJ