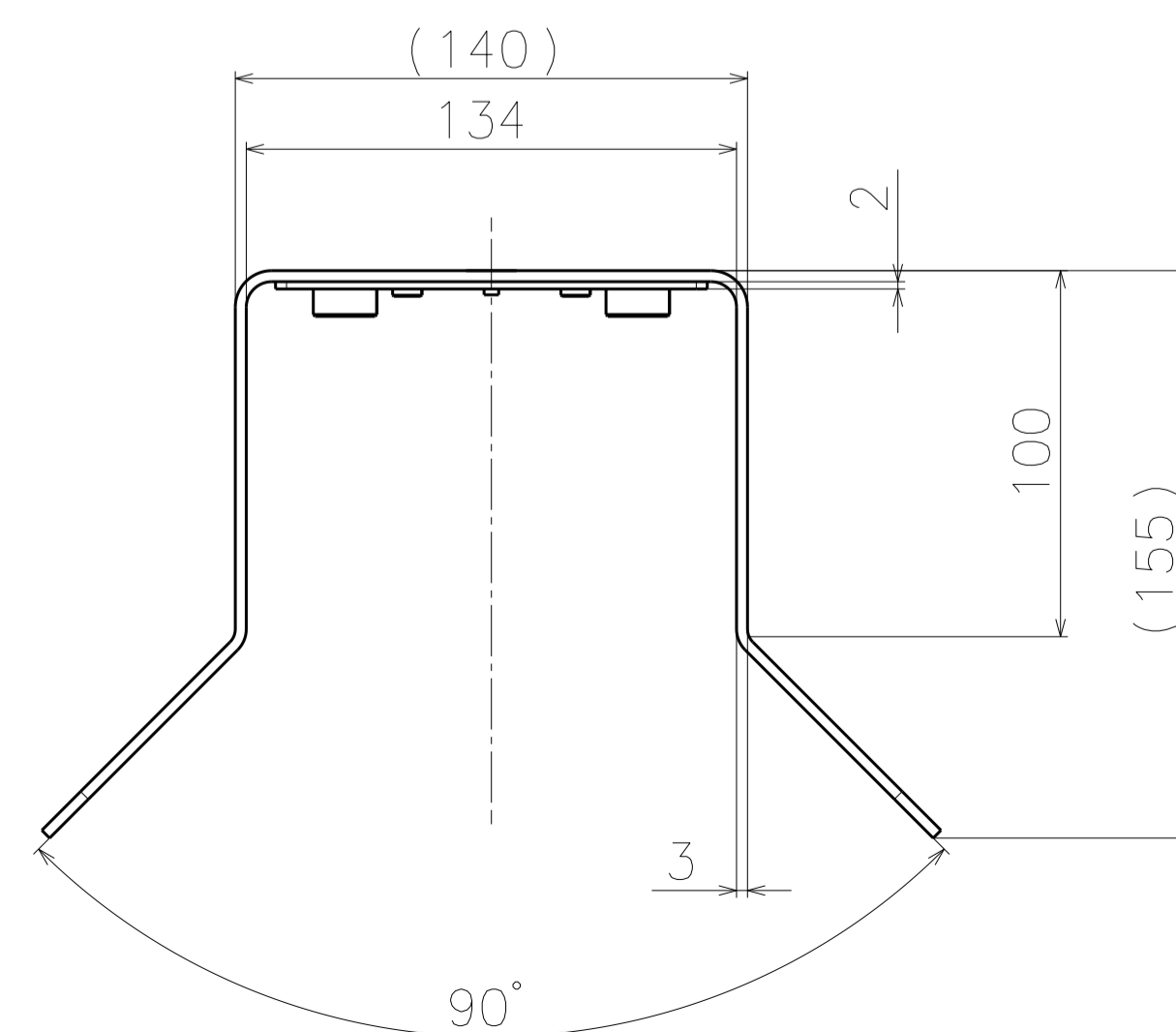
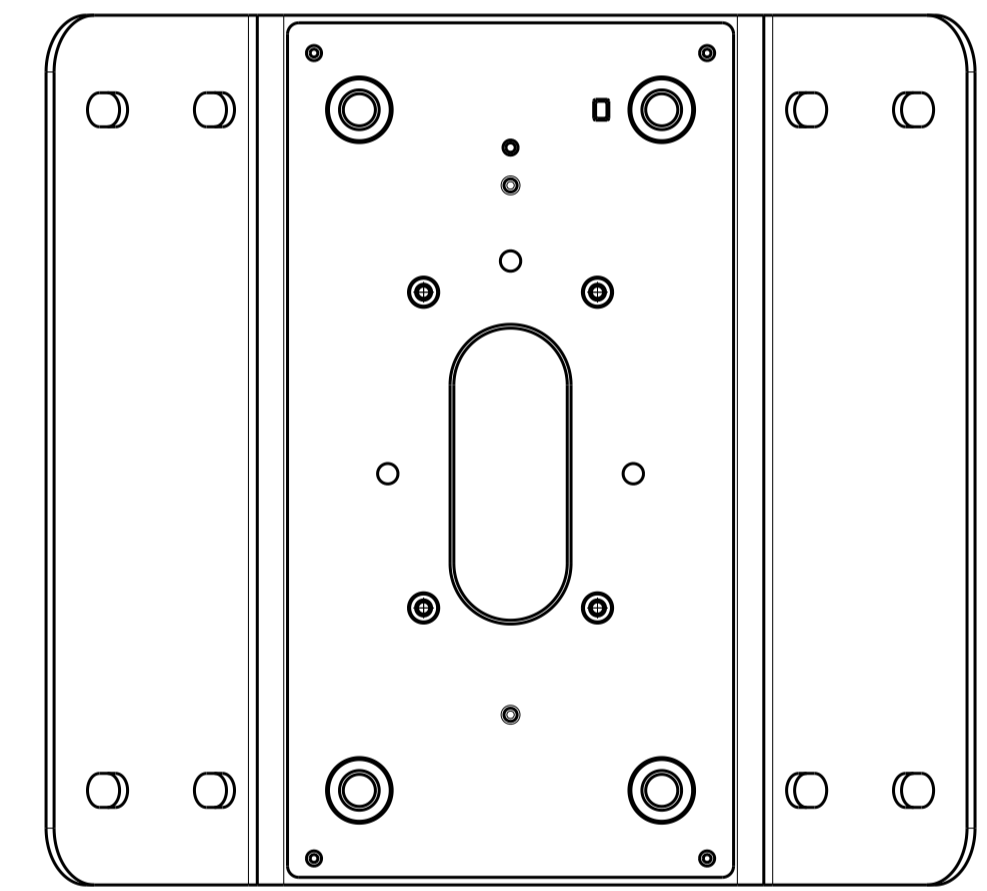
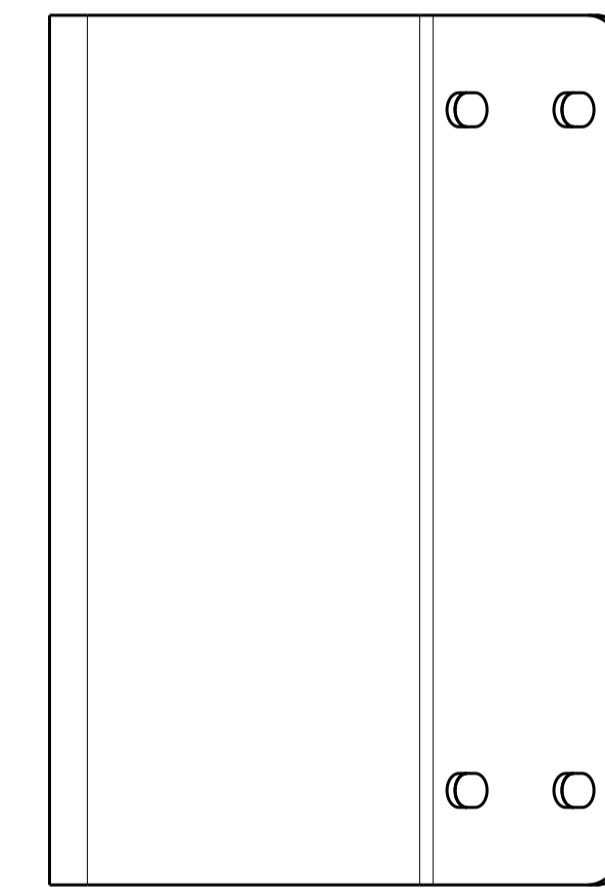
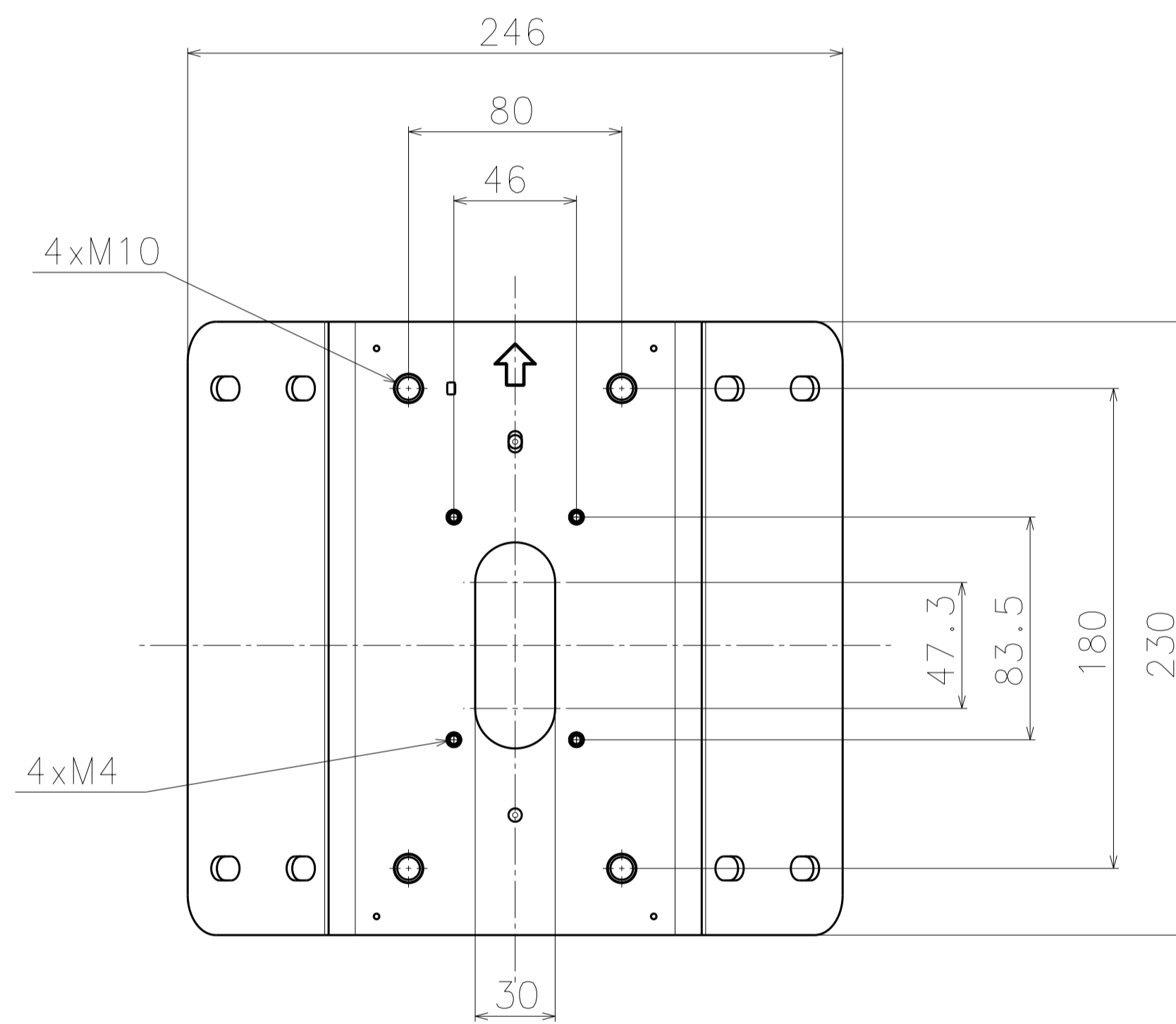
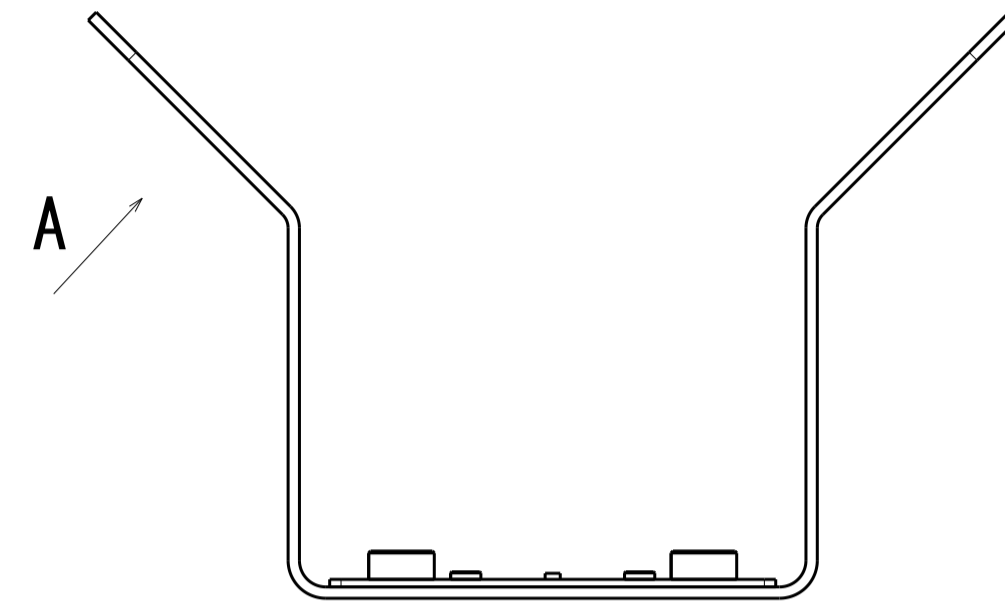


View A

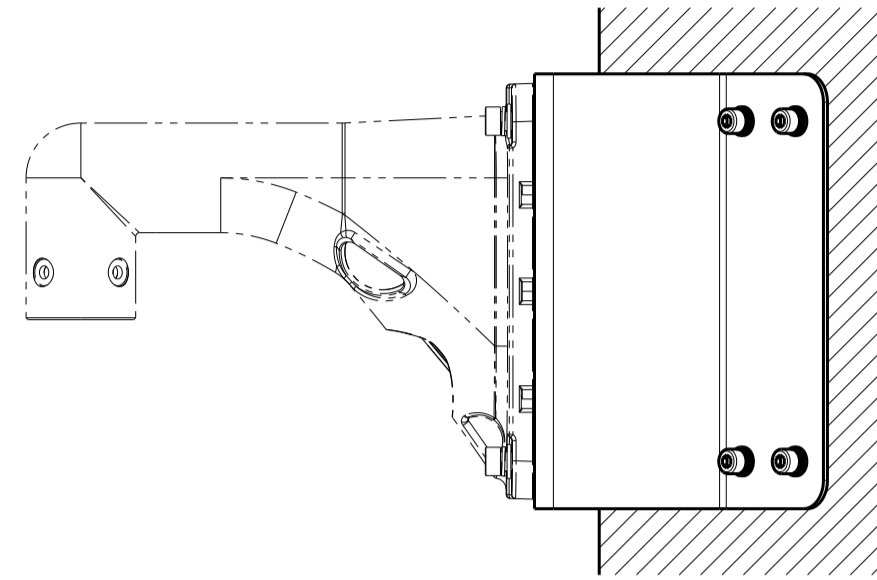


Model number	Color	Model number label
WV-QCN500-W	i-PRO white	No
WV-QCN500-B	Black	Yes

	投影面積/Projected area
側面図/Side-view	0.036 (m ²)
平面図/Top-view	0.002 (m ²)

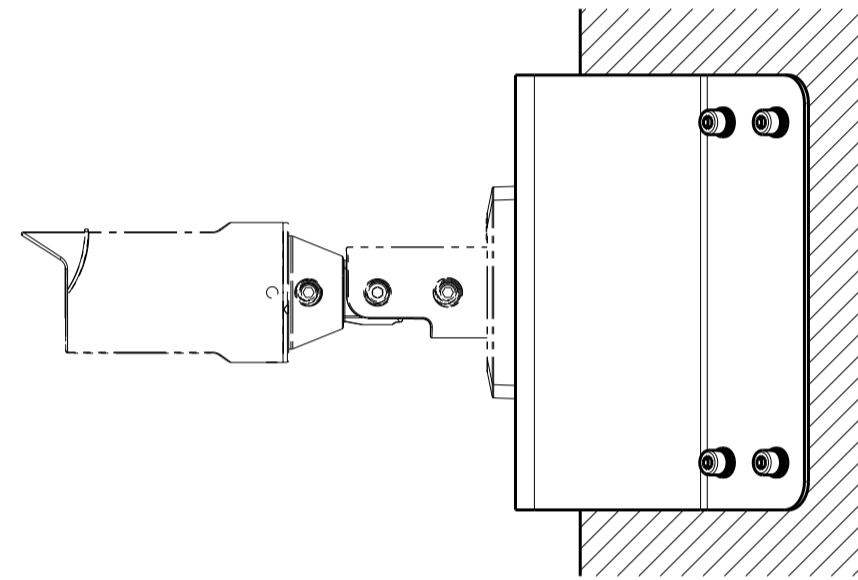
Mass : Approx. 1.3 kg {2.87 lbs}

カメラとの組み合わせ例
Example of combination with a camera



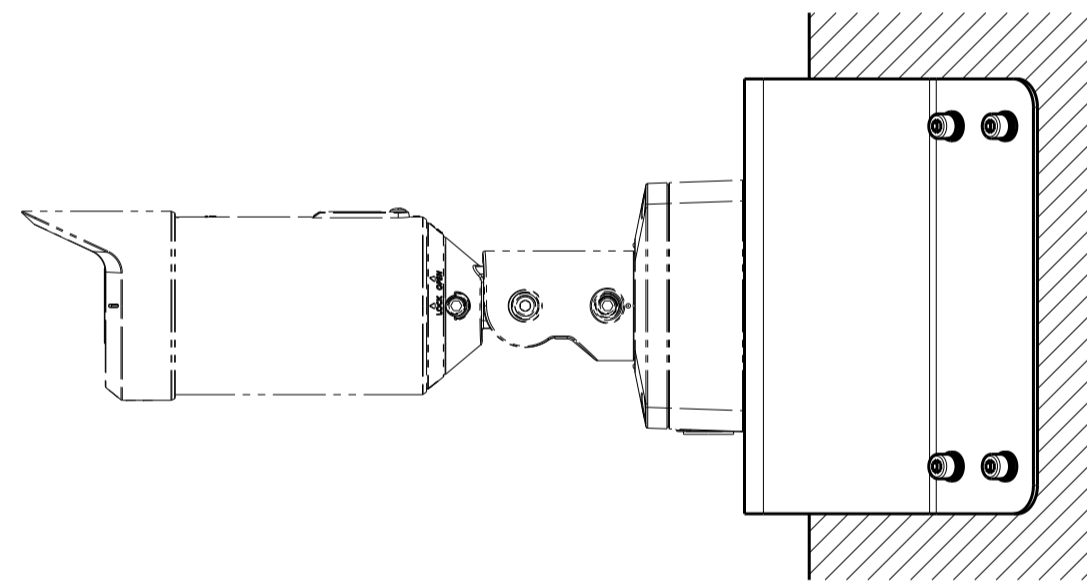
	投影面積/Projected area
側面図/Side-view	0.063 (m ²)
平面図/Top-view	0.018 (m ²)

Fix with 4xM4 screws
(with WV-QWL501-*)
S=1:4



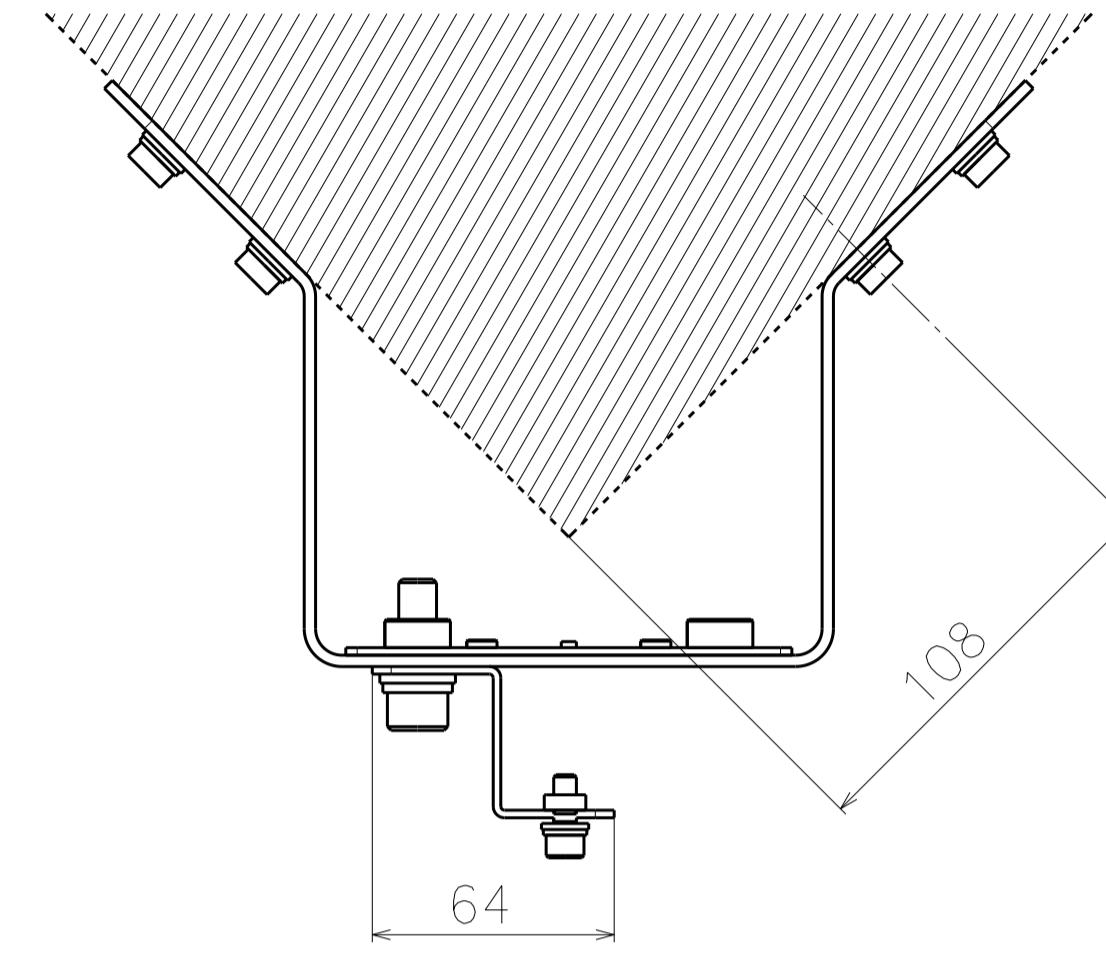
	投影面積/Projected area
側面図/Side-view	0.050 (m ²)
平面図/Top-view	0.019 (m ²)

Fix with 4xM4 screws
(with WV-U15***)
S=1:4

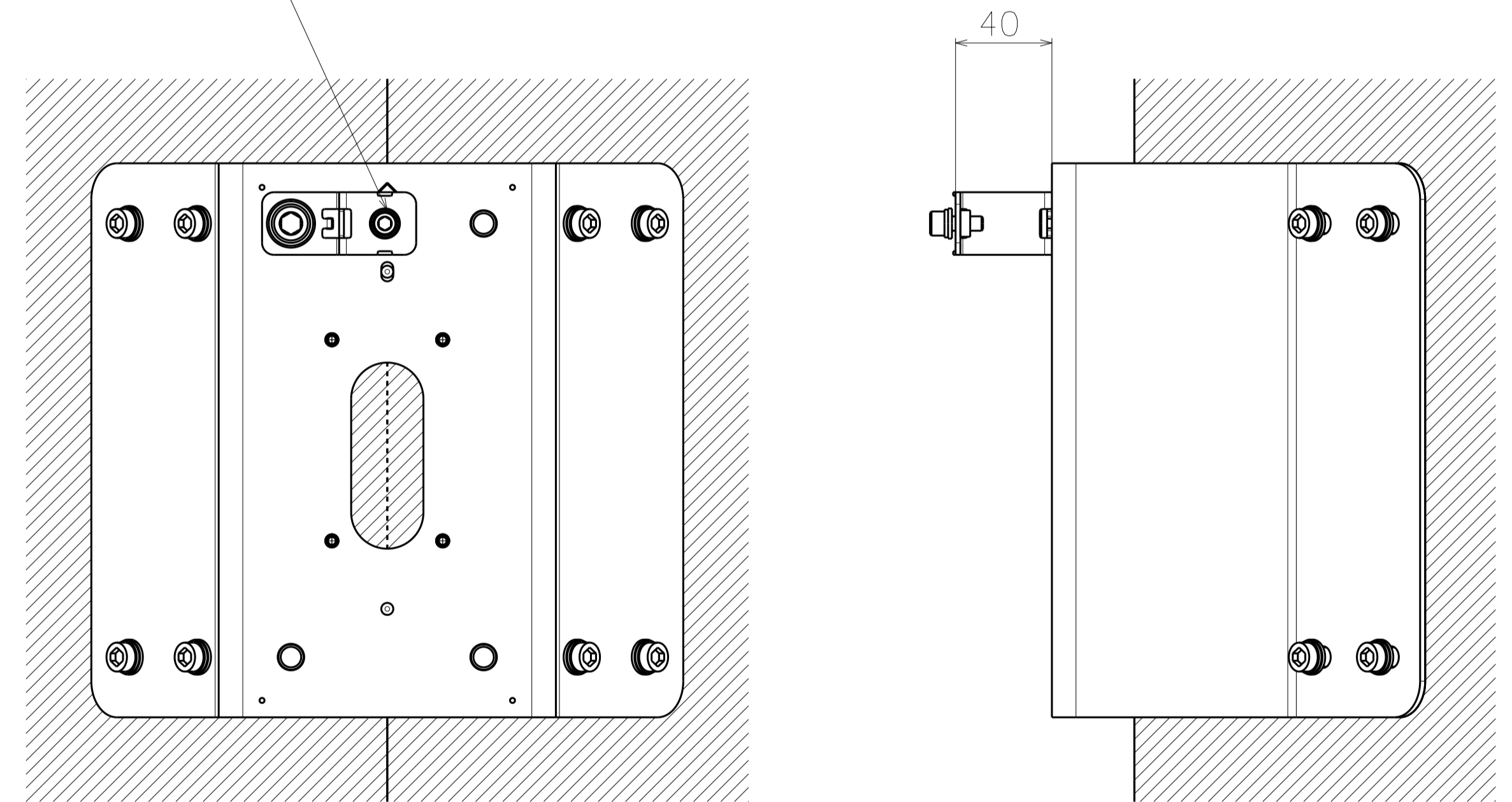


	投影面積/Projected area
側面図/Side-view	0.066 (m ²)
平面図/Top-view	0.035 (m ²)

Fix with 4xM4 screws
(with WV-S15***)
S=1:4



M6 used to connect safety wire



INSTALLATION STATUS
S=1:2

Model number
WV-QCN500-W
WV-QCN500-B