

HD 40x PTZ Network Camera

The WV-X6511N captures the highest quality images automatically even in very challenging and fast-changing surveillance environments. Outstanding Intelligent Zoom Stabilization to increase visibility under blur condition. Intelligent Auto (iA) monitors scene dynamics and motion to adjust key camera settings automatically in real-time reducing distortion such as motion blur on moving objects. By adopting H.265 Smart Coding technology, intelligently reduces bandwidth efficiency of up to 95%* over H.264 for longer recording and less storage. *Value in Advanced mode. It depends on the scene.

Extreme image quality for evidence capturing under challenging conditions

- Long-distance vision with high power 40x zoom lens and Intelligent Zoom Stabilization with gyroscope
- Sharp and clear image of fast moving vehicles with Intelligent Auto and ClearSight Coating
- Outstanding low light performance in true color with low noise for night time applications
- Super Dynamic 144dB for backlit situation by headlights and shadows on the streets at night
- Environmental durability: IP66, IK10, Long life Pan/Tilt gear mechanism, Wide operating temperature up to 60 °C (140 °F) and Dehumidification device

Extreme bandwidth compression with new H.265 Smart Coding

- Longer recording, less storage compared to H.264 based compression techniques
- New self-learning ROI* encoding (Auto VIQS) dynamically detect motion areas to keep vehicles and human in good picture quality while lowering your bandwidth *Region of Interest

Extreme Data Security

- Full encryption SD card edge recording to keep your data safe
- FIPS140-2 CAVP compliant *Using encryption module standardized by FIPS publication 140-2
- Full end-to-end system encryption with supported VMS and devices to protect from IP snooping/spoofing and detect data alteration

Key Features

- HD 1280x720 up to 60fps
- Intelligent Zoom Stabilization with 40x optical zoom
- ClearSight Coating
- Durable Pan/Tilt gear mechanism
- iA (intelligent Auto)
- Extreme Super Dynamic 144dB
- Color night vision (0.0007 to 0.011 lx)
- IP66, IK10 certified
- Wider operating temperature range -50 °C to +60 °C (-58 °F to +140 °F)
- i-VMD License Bundled
- ONVIF® Profile G / S / T

*ONVIF is a trademark of ONVIF, Inc.

Industry examples

- Traffic
- Safe Cities
- Railway
- Critical infrastructure
- Airport
- Stadium



Specifications

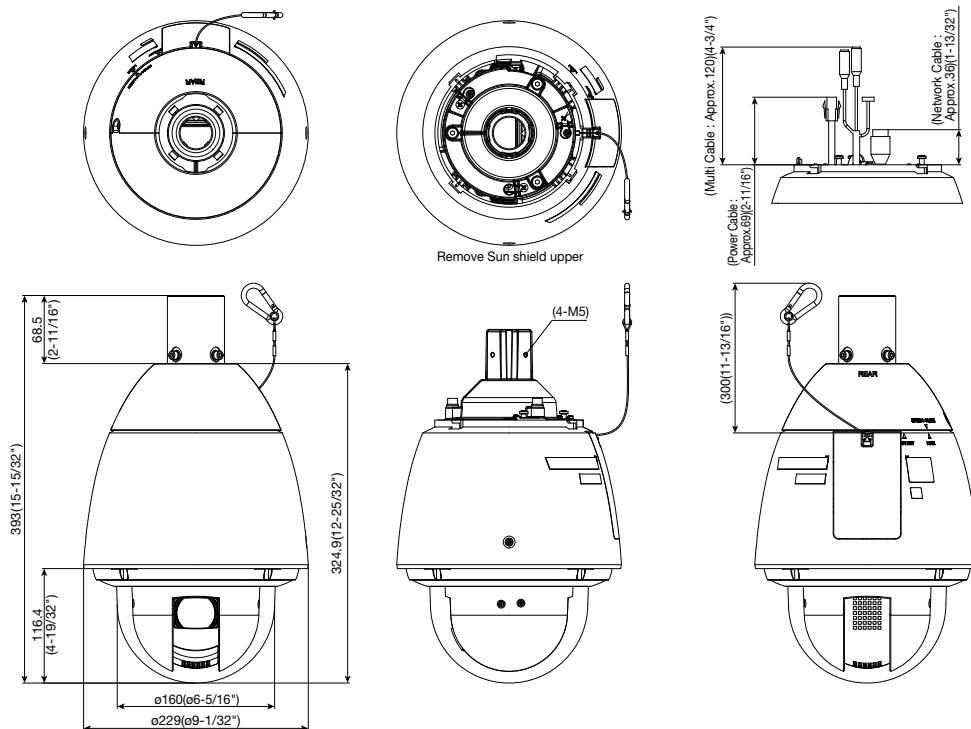
Camera	Image Sensor	Approx. 1/2.8 type MOS image sensor
	Minimum Illumination	Color : 0.011 lx, BW : 0.005 lx (F1.6, Maximum shutter : Off (1/30s), AGC : 11) Color : 0.0007 lx, BW : 0.0003 lx (F1.6, Maximum shutter : max. 16/30s, AGC : 11)*1
	Intelligent Auto	On / Off
	Shutter Speed	1/30 Fix to 1/10000 Fix *1/30 Fix to 2/120 Fix is available during 30 fps mode only. *1/60 Fix is available during 60 fps mode only.
	Super Dynamic*2	On / Off. The level can be set in the range of 0 to 31.
	Dynamic Range	Max.144 dB (Super Dynamic : On)
	Image Settings	Gain (AGC), White balance
	Image Compensation	Adaptive black stretch, Back light compensation (BLC), Fog compensation, High light compensation (HLC), Digital noise reduction
	Color/BW (ICR)	Off / On / Auto1 (Normal) / Auto2 (IR Light) / Auto3 (SCC)
	Video Motion Detection (VMD)	On / Off, 4 areas available
	Intelligent VMD (i-VMD)*3	Type4 *Bundled License
	Stabilizer*3	On / Off (available only in the 30 fps mode)
	Privacy Zone	Filling/Pixelate/ Off (up to 32 zones available)
	Camera Title (OSD)	On / Off, Up to 20 characters (alphanumeric characters, marks)
	Lens	Zoom Ratio
Digital (electronic) zoom		16x
Focal length		4.25 mm – 170 mm (5/32 inches – 6-11/16 inches)
Maximum Aperture Ratio		1 : 1.6 (WIDE) – 1 : 4.95 (TELE)
Focus range		3.0 m (9ft 10-1/8 inches) – ∞
Angular Field of view		[16 : 9 mode] Horizontal : 2.1 ° (TELE) – 65 ° (WIDE) Vertical : 1.2 ° (TELE) – 39 ° (WIDE) [4 : 3 mode] Horizontal : 1.6 ° (TELE) – 51 ° (WIDE) Vertical : 1.2 ° (TELE) – 39 ° (WIDE)
Pan/tilt		Panning Range
	Panning Speed	Manual : Approx. 0.065°/s – 120°/s Preset : Up to approx. 300°/s
	Tilting Range	Operational range : -15° – 195° (level – downward – level) Recommended range : 0° – 180° Selectable tilting angle : 10 ° / 5 ° / 3 ° / 0 °*4 / -3 °*4 / -5 °*4 / -10 °*4 / -15 °*4
	Tilting Speed	Manual: Approx. 0.065°/s – 120°/s Preset: Up to approx. 300°/s
	Preset Positions	256 positions
	Auto Mode	Auto track*3/ Auto pan/ Preset sequence/ Patrol
	Self Return	10 s / 20 s / 30 s / 1 min / 2 min / 3 min / 5 min / 10 min / 20 min / 30 min / 60 min
Browser GUI	Camera Control	Pan/Tilt, Zoom, Focus, Auto mode, Brightness, Preset, AUX, Rec. on SD, Log, Viewer software
	Audio	Mic (Line) Input : On / Off Volume adjustment : Low / Middle / High Audio Output : On / Off Volume adjustment : Low / Middle / High
	GUI / Setup Menu Language	English, Italian, French, German, Spanish, Portuguese, Russian, Chinese, Japanese
Network	Network IF	10Base-T / 100Base-TX, RJ45 connector
	Resolution	•1.3 mega pixel [16 : 9] (30/60 fps) 1280×720 / 640×360 / 320×180
	H.265 / H.264 JPEG (MJPEG)	•1.3 mega pixel [4:3] (30 fps mode) 1280×960 / 800×600 / VGA / 400×300 / QVGA
	H.265 / H.264*5	Constant bit rate / VBR / Frame rate / Best effort
	Transmission Mode Transmission Type Image Quality	Unicast / Multicast 10 steps

*1 Converted value
*2 Super Dynamic function is automatically set off on 60 fps mode.
*3 Stabilizer, Auto track, Smart Facial Coding, i-VMD, can not be used at the same time.
*4 If "0 °", "-3 °", "-5 °", "-10 °", or "-15 °" is selected, the area hidden by the camera housing may increase when the tilt angle of the camera is almost level. When "-15 °" is selected for "Tilt Angle", the upper half of images will be hidden.
*5 Transmission for 4 streams can be individually set.

Network	Smart Coding	Smart Facial Coding *3 : On(Smart Facial Coding)/ On(AUTO VIQS)/ Off *Smart Facial Coding is only available with Stream(1). GOP(Group of pictures) control : On(Advanced)* / On(Mid)/ On(Low)/ Off *On(Advanced) is only available with H.265.
	Audio Compression	G.726 (ADPCM) : 16 kbps / 32 kbps, G.711 : 64 kbps, AAC-LC*6 : 64 kbps / 96 kbps / 128 kbps
	Audio transmission mode	Off / Mic (Line) input / Audio output / Interactive (Half duplex) / Interactive (Full duplex)
	Supported Protocol	IPv6 : TCP/IP, UDP/IP, HTTP, HTTPS, RTP, FTP, SMTP, DNS, NTP, SNMP, DHCPv6, MLD, ICMP, ARP, IEEE 802.1X, DiffServ, SRTP*7, MQTT*7, LLDP*7 IPv4 : TCP/IP, UDP/IP, HTTP, HTTPS, RTP, RTSP, RTP, RTCP, FTP, SMTP, DHCP, DNS, DDNS, NTP, SNMP, UPnP, IGMP, ICMP, ARP, IEEE 802.1X, DiffServ, SRTP*7, MQTT*7, LLDP*7
	Maximum concurrent access number	Up to 14 users (Depends on network conditions)
	SDXC/SDHC/SD Memory Card	H.265 / H.264 recording: Manual REC / Alarm REC (Pre/Post) / Schedule REC / Backup upon network failure JPEG recording:Manual REC / Alarm REC (Pre/Post) / Backup upon network failure Compatible SDXC/SDHC/SD Memory Card: Panasonic 2 GB, 4 GB*, 8 GB*, 16 GB*, 32 GB*, 64 GB**, 128 GB**, 256 GB** model *SDHC card, ** SDXC card (except miniSD card and microSD card)
	Mobile Terminal Compatibility	iPad / iPhone, Android™ terminals
	ONVIF*5 Profile	G / S / T
	Alarm Source	3 terminals input, VMD alarm*8, Command alarm, Audio detection alarm, Auto track alarm
	Alarm Actions	SDXC/SDHC/SD memory recording, E-mail notification, HTTP alarm notification, Indication on browser, FTP image transfer, TCP alarm notification output
Input/ Output	Audio Input	ø3.5 mm stereo mini jack (monaural input) Input impedance: Approx. 2 kΩ (unbalanced) (Applicable microphone : Plug-in power type) Supply voltage : 4.0 V ±0.5 V
	Audio Output*9	ø3.5 mm stereo mini jack (monaural output) Output impedance : Approx. 600 Ω (unbalanced)
General	External I/O Terminals	ALARM IN1(Alarm input 1/ Black & white input/ Auto time adjustment input), ALARM IN2(Alarm input 2/ ALARM OUT), ALARM IN3(Alarm input 3/ AUX OUT)(x1 for each)
	Safety	UL (UL60950-1), c-UL (CSA C22.2 No.60950-1), CE, IEC60950-1
	EMC	FCC (Part15 ClassA), ICES003 ClassA, EN55032 ClassB, EN55024
	Power Source and Power Consumption	AC24 V 3.4 A, Approx. 55 W PoE+ (IEEE802.3at compliant): DC 54V 470 mA, Approx. 25 W Tested POE Injector (60 W) : DC 54V 1.0 A, Approx. 50 W
	Ambient Operating Temperature	-50 °C to +60 °C (-58 °F to +140 °F) (AC 24 V / Tested PoE injector (60 W)) -30 °C to +60 °C (-22 °F to +140 °F) (PoE+ device) {Power On range: -20 °C to +60 °C (-22 °F to +140 °F)}
	Ambient Operating Humidity	10 to 100 % (no condensation)
	Dehumidification Device	Rosahl element
	Water and Dust Resistance	IP66 (IEC60529), Type 4X (UL50), NEMA 4X compliant
	Shock Resistance	IK10 (IEC62262)
	Dimensions	Maximum ø229 mm × 393 (H) mm [ø9-1/32 inches × 15-15/32 inches (H)]
Mass (approx.)	Approx. 5.2 kg (11.47 lbs)	
Finish	Main body : Aluminum die cast, Natural silver Sunshields : ABS+PC resin coating, Natural silver Outer fixing screws : SUS (Corrosion-resistant treatment) Dome cover : Polycarbonate resin(with ClearSight coating), Clear	

*6 When recording audio on an SD memory card, only use AAC-LC (Advanced Audio Coding - Low Complexity).
*7 It may be necessary to upgrade the firmware to use these protocols
*8 Including alarms from Plug-in Software
*9 The audio output can be switched to the monitor output. Refer to the Operating Instructions on the provided CD-ROM for descriptions of how to switch the output.

Appearance



Unit : mm (inches)

Bundled License

Plug-in Software for i-VMD

i-VMD is possible to detect objects in the specified area by advanced video analysis technology.
i-VMD : Intruder Detection, Loitering Detection, Direction Detection, Scene Change Detection, Object Detection, Cross Line Detection



Notification sent to the monitoring screen

Optional Accessories

Mount Bracket / Other

<p>Ceiling surface mount bracket WV-QCL500-S (Silver)</p> 	<p>Ceiling Mount Bracket WV-Q121B (Fine silver)</p> 	<p>Wall Mount Bracket WV-Q122A (Fine silver)</p> 	<p>Pole Mount Bracket WV-Q188 (Fine silver)</p>  <small>(This bracket requires WV-Q122A.)</small>	<p>Corner Mount Bracket WV-Q189 (Fine silver)</p>  <small>(This bracket requires WV-Q122A.)</small>	<p>Attachment pipe (For 3rd party bracket) WV-QAT501-S (Silver)</p> 
--	--	---	---	--	--

•Brackets are available in four colors, Fine silver, Light gray, Gray and i-PRO white. It is possible to use them in different color combinations.

Important

- Safety Precautions : Carefully read the Basic Information, Installation Guide and Operating Instructions before using this product.
- i-PRO Co., Ltd. cannot be held responsible for the performance of the network and/or other manufacturers' products used on the network.

Trademarks and registered trademarks

- iPad and iPhone are trademarks of Apple Inc., registered in the U.S. and other countries.
- Android is a trademark of Google LLC.
- ONVIF is a trademark of ONVIF, Inc.
- All other trademarks identified herein are the property of their respective owners.

• Masses and dimensions are approximate. • Specifications are subject to change without notice.

