

## 4K Vandal Resistant Indoor Dome Network Camera with AI engine

The WV-X2271L has onboard AI functionality. AI-based high precision analysis helps surveillance operations and crime prevention operations more efficiently, whereas these operations previously required dedicated manpower.

There are 3 AI functions available through the camera: detecting suspicious changes in captured scenes, optimizing the image settings of the camera (based on captured scene analysis) for better image usability, and optimizing video compression through captured scenes to save bandwidth at 50%\* lower than existing cameras while maintaining image quality.

\*Compared to Smart Coding OFF with H.265

### Optimization of image quality and data compression using AI

- AI detects, identifies and determines movement.
- AI determines human faces and captures them in the most visible state.
- AI determines moving objects, identifies where there is no movement, and performs efficient data compression.

### 3rd party relationship

- To enable 3rd party companies to develop their applications using SDK.
- Users can freely combine applications and introduce analysis software that is the best match for their requirements.

### Easy installation

- AI analysis automatically applies optimal settings, allowing you to capture high-quality images effortlessly.
- Connect the network cable to the camera body simply by opening a part of the packaging, saving you time and working space.

### Key Features

- 4K (3,840 x 2,160) up to 30fps
- AI Intelligent Auto
- Color night vision (0.006 to 0.09 lx)
- H.265 Smart Coding
- FIPS140-2 CAVP compliant

\*Using encryption module standardized by FIPS publication 140-2

- ONVIF® Profile G / M / S / T

\*ONVIF is a trademark of ONVIF, Inc.

### Industry examples

- Airport (Passport control / Security checkpoint / Ticket counter)
- Retail / Bank / Education / Hospital / Building



# Specifications

<b>Camera</b>	Image Sensor	1/1.8 type CMOS image sensor
	Minimum Illumination	Color : 0.09 lx, BW : 0.05 lx (F1.5, Maximum shutter : Off (1/30s), AGC : 11) BW : 0 lx (F1.5, Maximum shutter : Off (1/30 s), AGC : 11, when the IR LED is lit) Color : 0.006 lx, BW : 0.003 lx (F1.5, Maximum shutter : max. 16/30s, AGC : 11) *1
	White Balance	ATW1/ATW2/AWC
	Shutter Speed	[30fps mode] 1/30 Fix to 1/10000 Fix [25fps mode] 1/25 Fix to 1/10000 Fix
	AI Intelligent Auto	On / Off
	Super Dynamic	On / Off. The level can be set in the range of 0 to 31.
	Dynamic Range	Max. 132 dB (Super Dynamic : On, Level : 31)
	Adaptive Black Stretch	The level can be set in the range of 0 to 255.
	Back light compensation / High light compensation	BLC (Back light compensation) / HLC (High light compensation) / Off The level can be set in the range of 0 to 31. (only when Super dynamic / AI Intelligent Auto : Off)
	Fog compensation	On / Off. The level can be set in the range of 0 to 8 (only when AI Intelligent auto / auto contrast adjust : Off)
	Maximum gain	The level can be set in the range of 0 to 11.
	Color/BW (ICR)	Off / On (IR Light Off) / On (IR Light On) / Auto1 (IR Light Off) / Auto2 (IR Light On) / Auto3 (SCC)
	IR LED Light	High / Middle / Low / Off. Maximum irradiation distance : 30 m {Approx. 98 ft}
	Digital Noise Reduction	The level can be set in the range of 0 to 255.
	Video Motion Detection (VMD)	On / Off, 4 areas available
	Scene Change Detection (SCD)	On / Off, 1 area available
	Privacy Zone	On / Off. Up to 8 zones available
	Image rotation <sup>2,3</sup>	0° (Off) / 90° / 180° (Upside-down) / 270°
	Camera Title (OSD)	On / Off. Up to 20 characters (alphanumeric characters, marks)
	<b>Lens</b>	Optical zoom
Extra optical zoom		6.0x (when resolution is 1280x720)
Digital (electronic) zoom		Choose from 3 levels of x1, x2, x4
Focal length		4.3 mm - 8.6 mm {5/32 inches - 11/32 inches}
Maximum Aperture Ratio		1 : 1.5 (WIDE) - 1 : 2.4 (TELE)
Focus range		1 m (39-3/8 inches) - ∞
Angular Field of View		[16 : 9 mode] * [4:3 mode] is not supported. Horizontal: 52° (TELE) - 101° (WIDE), Vertical: 29° (TELE) - 55° (WIDE)
<b>DORI</b> *4	Detect (25ppm / 8ft)	Wide: 63.31 m / 207.71 ft, Tele: 157.46 m / 516.61 ft
	Observe (62.5ppm / 19ft)	Wide: 25.32 m / 83.08 ft, Tele: 62.99 m / 206.64 ft
	Recognize (125ppm / 38ft)	Wide: 12.66 m / 41.54 ft, Tele: 31.49 m / 103.32 ft
	Identify (250ppm / 76ft)	Wide: 6.33 m / 20.77 ft, Tele: 15.75 m / 51.66 ft
<b>Adjusting Angle</b>		Horizontal (PAN) angle : ±180°, Vertical (TILT) angle : -30 to +85°, Azimuth (YAW) angle : ±100°
<b>Browser GUI</b>	Camera Control	Brightness, AUX On / Off
	Audio	Mic (Line) Input : On / Off Volume adjustment : Low / Middle / High Audio Output : On / Off Volume adjustment : Low / Middle / High
	GUI / Setup Menu Language	English, Italian, French, German, Spanish, Portuguese, Russian, Chinese, Japanese
<b>Network</b>	Network IF	10Base-T / 100Base-TX, RJ45 connector
	Resolution *5	[16 : 9 mode] * [4:3 mode] is not supported. 3840×2160, 2560×1440, 1920×1080, 1280×720, 640×360, 320×180
	H.265 / H.264 / JPEG (MJPEG)	
	H.265 / Transmission Mode	Constant bit rate / VBR / Frame rate / Best effort
	H.264 *6 / Transmission Type	Unicast port (AUTO) / Unicast port (MANUAL) / Multicast
	JPEG / Image Quality	10 steps
	Smart Coding	<b>Smart Facial Coding</b> : On (Smart Facial Coding*) / On (Auto VIQS) / Off On (Frame rate control) * / On (Advanced) * / On (Mid) / On (Low) / Off *On (Frame rate control) and On (Advanced) are only available with H.265.

<b>Network</b>	Audio Compression	G.726 (ADPCM) : 16 kbps / 32 kbps G.711 : 64 kbps AAC-LC <sup>7</sup> : 64 kbps / 96 kbps / 128 kbps
	Audio transmission mode	Off / Mic (Line) input / Audio output / Interactive (Half duplex) / Interactive (Full duplex)
	Supported Protocol	IPv6 : TCP/IP, UDP/IP, HTTP, HTTPS, FTP, SMTP, DNS, NTP, SNMP, DHCPv6, RTP, MLD, ICMP, ARP, IEEE 802.1X, DiffServ IPv4 : TCP/IP, UDP/IP, HTTP, HTTPS, RTSP, RTP, RTP/RTCP, FTP, SMTP, DHCP, DNS, DDNS, NTP, SNMP, UPnP, IGMP, ICMP, ARP, IEEE 802.1X, DiffServ
	No. of Simultaneous Users	Up to 14 users (Depends on network conditions)
	SDXC/SDHC/SD Memory Card	H.265 / H.264 recording : Manual REC / Alarm REC (Pre/Post) / Schedule REC / Backup upon network failure JPEG recording : Manual REC / Alarm REC (Pre/Post) / Backup upon network failure Compatible SDXC/SDHC/SD Memory Card: Panasonic 2 GB, 4 GB*, 8 GB*, 16 GB*, 32 GB*, 64 GB**, 128 GB**, 256 GB** model *SDHC card, ** SDXC card (except miniSD card and microSD card)
	Mobile Terminal Compatibility	iPad, iPhone, Android™ terminals
	ONVIF® Profile	G / M / S / T
	Alarm Source	3 terminals input, VMD alarm, SCD alarm, Command alarm
	Alarm Actions	SDXC/SDHC/SD memory recording, E-mail notification, HTTP alarm notification, Indication on browser, FTP image transfer, TCP alarm notification output
	<b>Input/ Output</b>	Monitor Output (for adjustment)
Audio input		ø3.5 mm stereo mini jack For microphone input : Recommended applicable microphone : Plug-in power type (Sensitivity of microphone : -48 dB±3 dB (0 dB=1 V/Pa, 1 kHz)) Input impedance : Approx. 2 kΩ (unbalanced) Supply voltage : 2.5 V ±0.5 V For line input : Input level : Approx. -10 dBV
Audio Output *8		ø3.5 mm stereo mini jack (Audio output is monaural.) Output impedance : Approx. 600 Ω (unbalanced) Output level : -20 dBV
External I/O Terminals		ALARM IN 1 (Alarm input 1) / Black & white input / Auto time adjustment input (x1) ALARM IN 2 (Alarm input 2) / ALARM OUT (x1) / ALARM IN 3 (Alarm input 3) / AUX OUT (x1)
<b>General</b>	Safety	UL (UL60950-1), c-UL (CSA C22.2 No.60950-1), CE, IEC60950-1
	EMC	FCC (Part15 ClassA), ICES003 ClassA, EN55032 ClassB, EN55024
	Power Source and Power Consumption	DC power supply : DC 12 V 890 mA/Approx. 10.7 W PoE (IEEE802.3af compliant) Device : DC48 V 230 mA/ Approx. 11.0 W (Class 0 device)
	Ambient Operating Temperature	-10 °C to +50 °C (+14 °F to +122 °F)
	Ambient Operating Humidity	10 to 90 % (no condensation)
	Shock Resistance	IK10 (IEC 62262)
	Dimensions	ø129.5 mm x 103.5 mm (H) (ø5-1/8 inches x 4-1/16 inches (H)) Dome radius 41.5 mm (1-5/8 inches)
Mass	Approx. 830 g (1.83 lbs)	
Finish	Main body : Aluminum die cast, I-PRO white Dome cover : Polycarbonate resin, Clear	

\*1 Converted value

\*2 90° and 270° are invalid only in the 320×180 resolution.

\*3 Following the setting angle of the rotated image, the analog output of the MONITOR OUT terminal rotates.

\*4 Maximum distance at which a camera's tele and wide lens can meet DORI specifications. This value does not indicate the performance of the camera. Calculations made with the camera installed horizontally at resolution of 3840×2160.

\*5 H.265/H.264 can be selected for each stream.

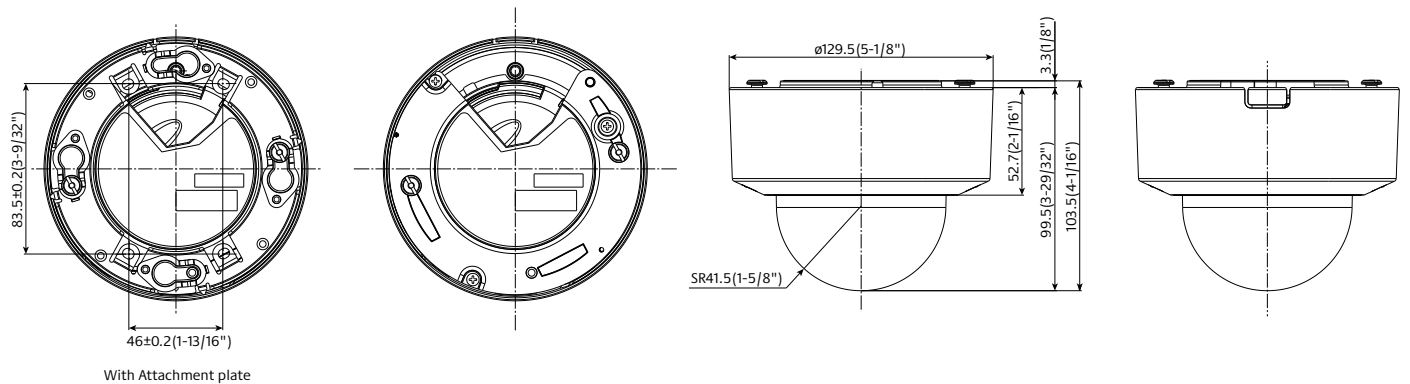
\*6 Transmission for 4 streams can be individually set.

\*7 When recording audio on an SD memory card, only use AAC-LC (Advanced Audio Coding - Low Complexity).

\*8 This camera is not equipped with the function to change the audio output to the monitor output.

# Appearance

Unit : mm (inches)



## Analytics Applications (Optional Software)

### Extension Software **WV-XAE200W**

**AI differentiates between vehicles, motorcycles, bicycles, and people. It further detects and sends warning notifications when they enter a specified area.**

#### AI Video Motion Detection



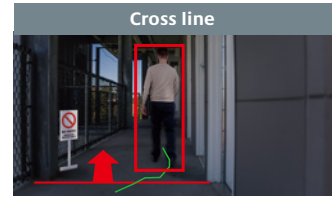
• It is possible to issue an alarm when a moving object enters a specified area.



• It is possible to issue an alarm when a moving object enters a specified area and stays there for a specified amount of time.



• It is possible to issue an alarm when a moving object enters a specified area and moves in the specified direction.



• It is possible to issue an alarm when an object moving in the specified direction crosses a specified threshold.

### Extension Software **WV-XAE201W**

**To protect privacy and portrait rights, it is possible to automatically apply a mosaic the entire face and figure of a person photographed by the camera.**

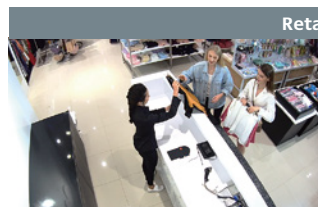
#### AI Privacy Guard



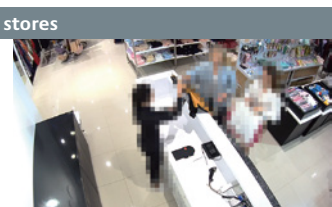
Original image



Processed image



Original image



Processed image

## Optional Accessories

### Mount Bracket / Dome Cover / Other

<p>Ceiling Mount Bracket <b>WV-Q105A</b></p> 	<p>Ceiling Mount Bracket (Embedded) <b>WV-QEM100-W</b> (i-PRO white)</p> 	<p>Ceiling Mount Bracket <b>WV-QCL101-W</b> (i-PRO white)</p> 	<p>Mount Bracket <b>WV-QSR501-W</b> (i-PRO white)</p> <p>(This bracket requires WV-QCL501-W or WV-QWL501-W.)</p> 	<p>Ceiling Mount Bracket <b>WV-QCL501-W</b> (i-PRO white)</p> <p>(This bracket requires WV-QSR501-W.)</p> 	<p>Wall Mount Bracket <b>WV-QWL501-W</b> (i-PRO white)</p>  <p>(This bracket requires WV-QSR501-W.)</p>
<p>Wall Mount Bracket <b>WV-QWL500-W</b> (i-PRO white)</p> 	<p>Adapter Box <b>WV-QJB500-W</b> (i-PRO white)</p> <p>(This bracket requires WV-QWL500-W.)</p> 	<p>Pole Mount Bracket <b>WV-QPL500-W</b> (i-PRO white)</p> <p>(This bracket requires WV-QWL501-W.)</p> 	<p>Corner Mount Bracket <b>WV-QCN500-W</b> (i-PRO white)</p> <p>(This bracket requires WV-QWL501-W.)</p> 	<p>Dome Cover (Smoke Type) <b>WV-CR1S</b></p> 	

• Brackets are available in four colors, Fine silver, Light gray, Gray and i-PRO white. It is possible to use them in different color combinations.

#### Trademarks and registered trademarks

- iPad and iPhone are trademarks of Apple Inc., registered in the U.S. and other countries.
- Android is a trademark of Google LLC.
- ONVIF is a trademark of ONVIF, Inc.
- All other trademarks identified herein are the property of their respective owners.

#### Important

- Safety Precautions : Carefully read the Basic Information, Installation Guide and Operating Instructions before using this product.
- i-PRO Co., Ltd. cannot be held responsible for the performance of the network and/or other manufacturers' products used on the network.

• Masses and dimensions are approximate. • Specifications are subject to change without notice.