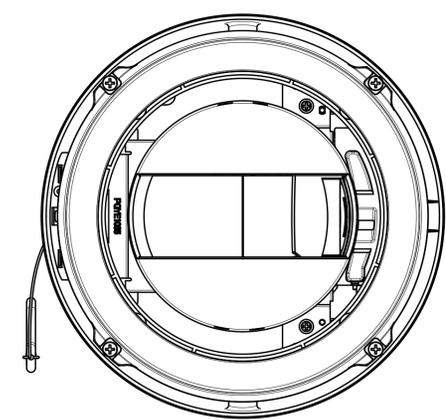
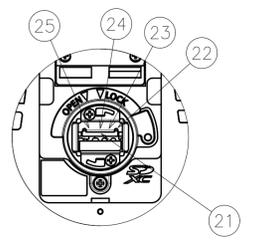
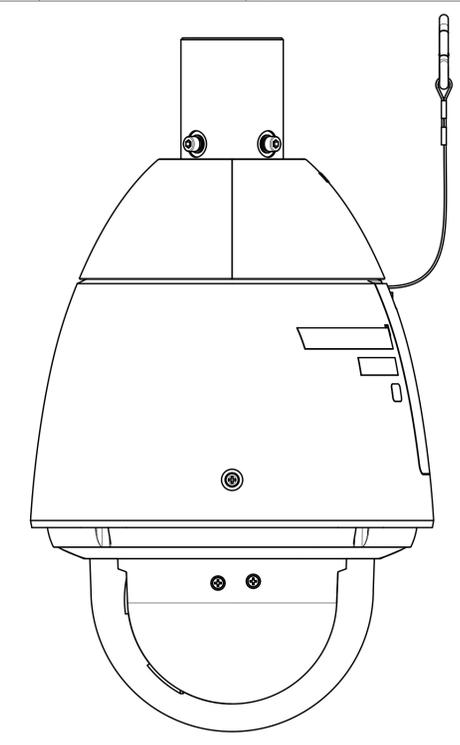
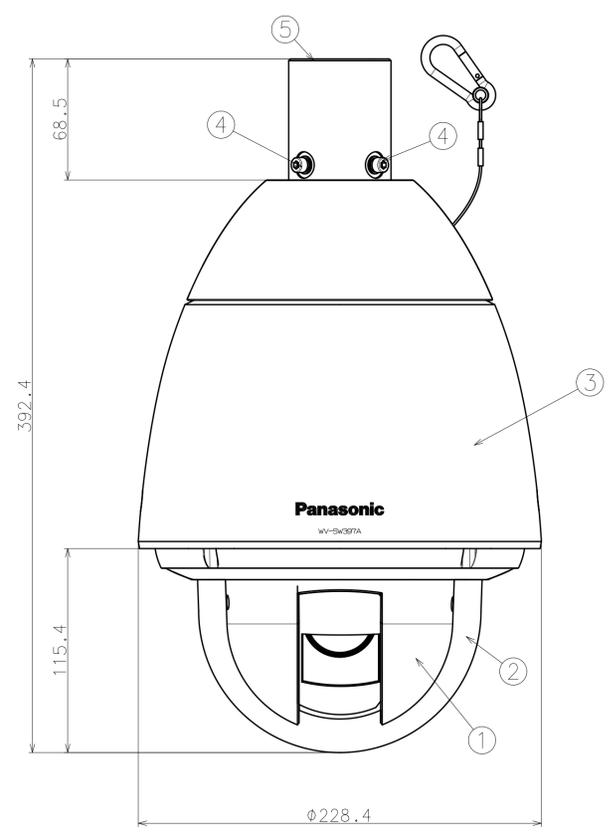
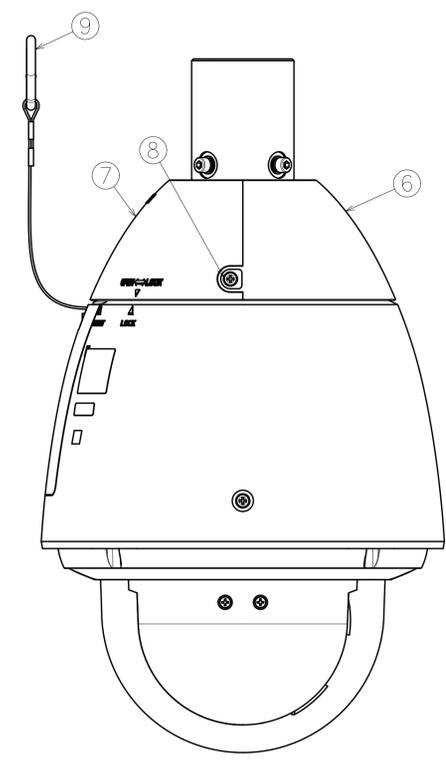
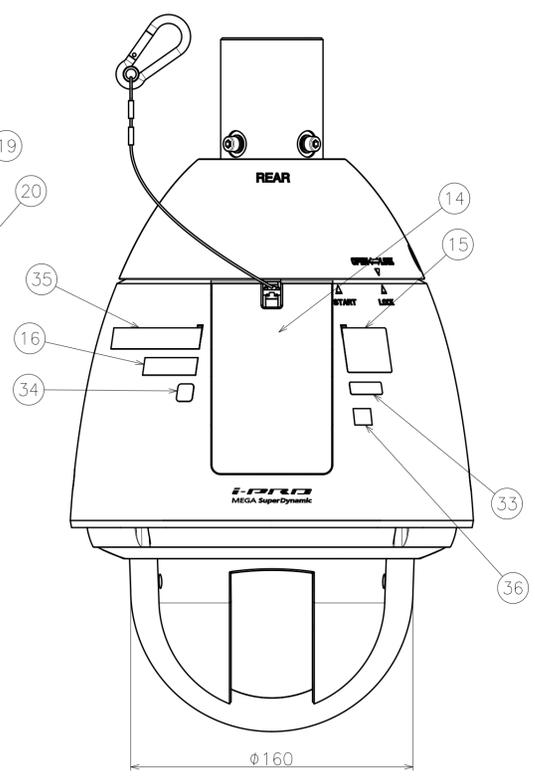
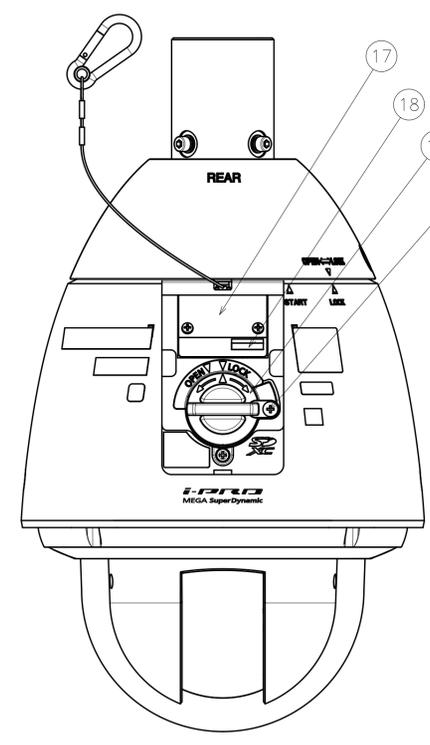


No.	Part Name	Material	Process-Remark
1	Network Camera Unit	-	
2	Dome Cover	Polycarbonate Resin	Rain wash coating
3	Sun Shield	ASA	
4	Bracket Fixing Screw	Stainless Steel M5 4Screw	
5	Attachment Pipe	Aluminium Alloy	
6	Sun Shield Up-Front	ASA	
7	Sun Shield Up-Rear	ASA	
8	Sun Shield Finxing Screw	Stainless Steel M4	
9	Camera Safety Wire	Stainless Steel	
10	Upper Base	Aluminium Alloy Diecasting	
11	Housing Fixing Screw	Stainless Steel M6 3Screw	
12	Mounting Guide Pin	Stainless Steel	
13	Position Landmark Pin	Aluminium Alloy Diecasting	
14	Sun Shield SD	ASA	
15	FCC/DOC Label	Aluminium Vapor Deposition Film	
16	MAC Address Label	Polyester Film	
17	Name Plate	Aluminium Alloy t=0.5	
18	SER Label	Aluminium Vapor Deposition Film	
19	SD Card Cover	Aluminium Alloy	
20	SD Card Cover Lock Screw	Stainless Steel M4	
21	SD Card Slot	-	
22	Status Induction Lamp	-	
23	ACT LED	-	
24	LINK LED	-	
25	INITIAL Switch	-	
26	I/O Connector	-	
27	Network Connector	-	
28	Mic Input Connector(White)	-	
29	Audio Output Connector(Black)	-	
30	Video Output Connector	-	
31	Power Connector	-	
32	Ferrite Core	-	
33	TYPE4X Label	Aluminium Vapor Deposition Film	
34	QOST Label	Aluminium Vapor Deposition Film	
35	CE Label	Polyester Film	
36	Data Matrix Label	Polyester Film	



WV-SW397A

単位:mm