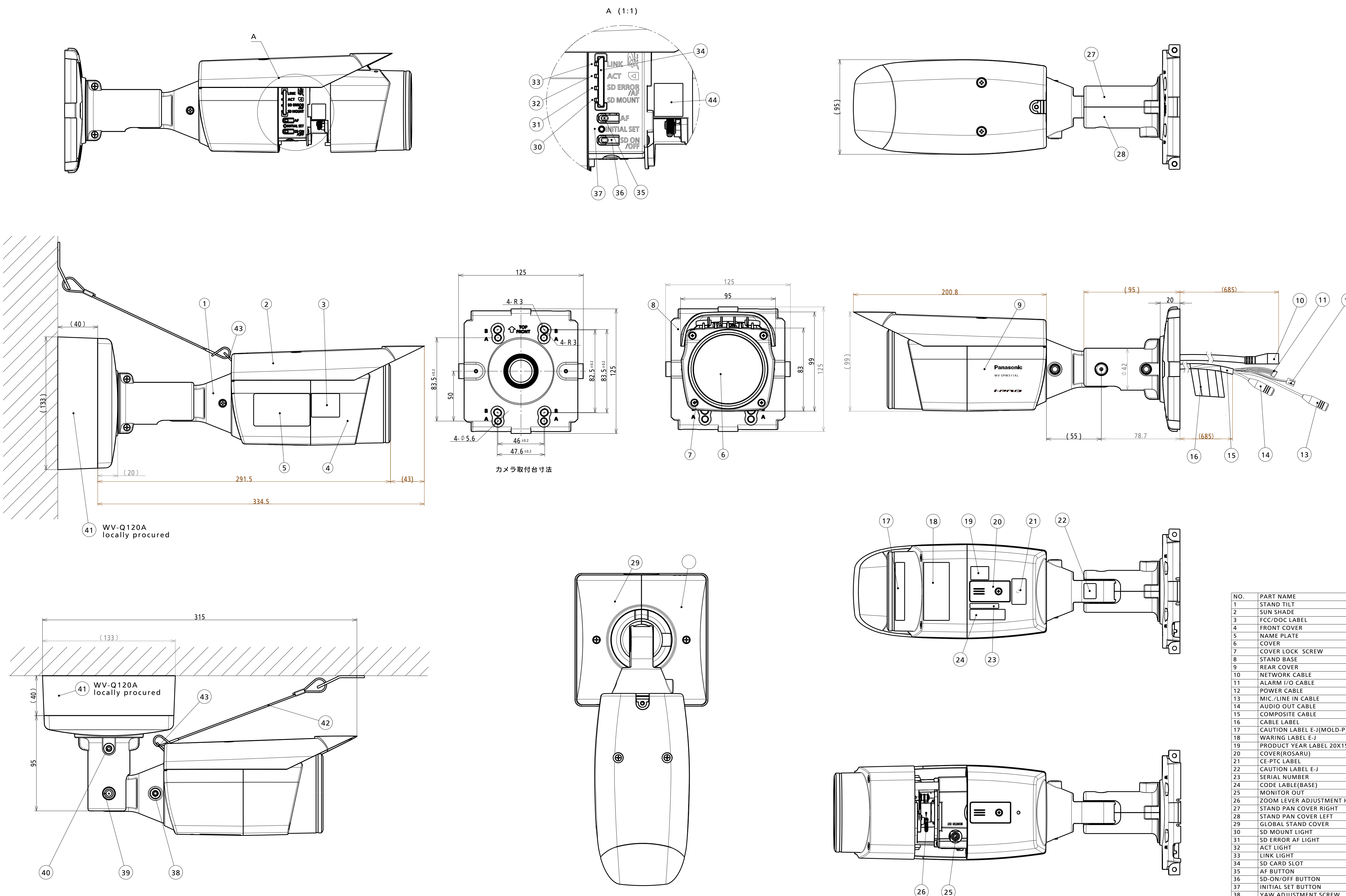


	Projected area
Top-View	0.020 (㎡)
Side-View	0.025 (㎡)

Except the Adapter box



NO.	PART NAME	MATERIALS	PROCESS AND OTHERS
1	STAND TILT	Aluminume Die Casting	coating(Silver metallic)
2	SUN SHADE	PC + ABS	coating(Silver metallic)
3	FCC/DOC LABEL		PRINTING
4	FRONT COVER	Aluminume Die Casting	coating(Silver metallic)
5	NAME PLATE		PRINTING
6	COVER	PC	coating(Silver metallic)
7	COVER LOCK SCREW	SUS304	
8	STAND BASE	Aluminume Die Casting	coating(Silver metallic)
9	REAR COVER	Aluminume Die Casting	coating(Silver metallic)
10	NETWORK CABLE		
11	ALARM I/O CABLE		
12	POWER CABLE		
13	MIC./LINE IN CABLE		WHITE
14	AUDIO OUT CABLE		BLACK
15	COMPOSITE CABLE		
16	CABLE LABEL	POLYESTER FILM	PRINTING
17	CAUTION LABEL E-J(MOLD-P)	POLYESTER FILM	PRINTING
18	WARNING LABEL E-J	POLYESTER FILM	PRINTING
19	PRODUCT YEAR LABEL 20X15 WHITE PSNS		
20	COVER(ROSARU)	PC + ABS	
21	CE-PTC LABEL		PRINTING
22	CAUTION LABEL E-J		PRINTING
23	SERIAL NUMBER		PRINTING
24	CODE LABEL(BASE)		PRINTING
25	MONITOR OUT		
26	ZOOM LEVER ADJUSTMENT HADLE	SUS303	
27	STAND PAN COVER RIGHT	Aluminume Die Casting	coating(Silver metallic)
28	STAND PAN COVER LEFT	Aluminume Die Casting	coating(Silver metallic)
29	GLOBAL STAND COVER	PC+ABS	coating(Silver metallic)
30	SD MOUNT LIGHT		
31	SD ERROR AF LIGHT		
32	ACT LIGHT		
33	LINK LIGHT		
34	SD CARD SLOT		
35	AF BUTTON		
36	SD-ON/OFF BUTTON		
37	INITIAL SET BUTTON		
38	YAW ADJUSTMENT SCREW	SUS304	
39	TILT ADJUSTMENT SCREW	SUS304	
40	PAN ADJUSTMENT SCREW	SUS304	
41	ADAPTER BOX	Aluminume Die Casting	coating(Silver metallic)
42	SAFETY WIRE		
43	MOUNT ANGLE (BOX WALL)	SUS304	
44	CHANGE TO PAL LABEL		PRINTING

Unit:mm

WV-SPW311AL