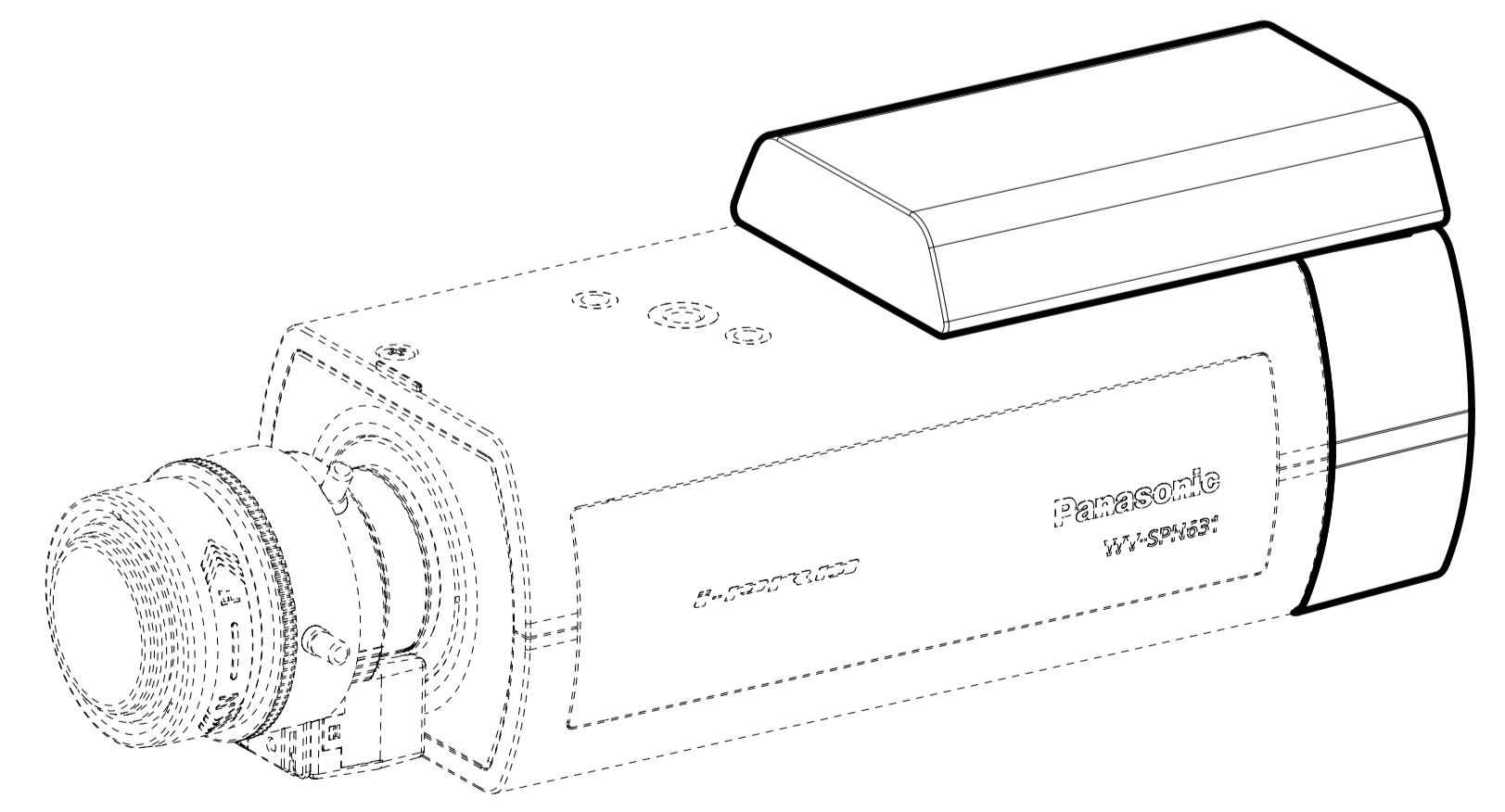
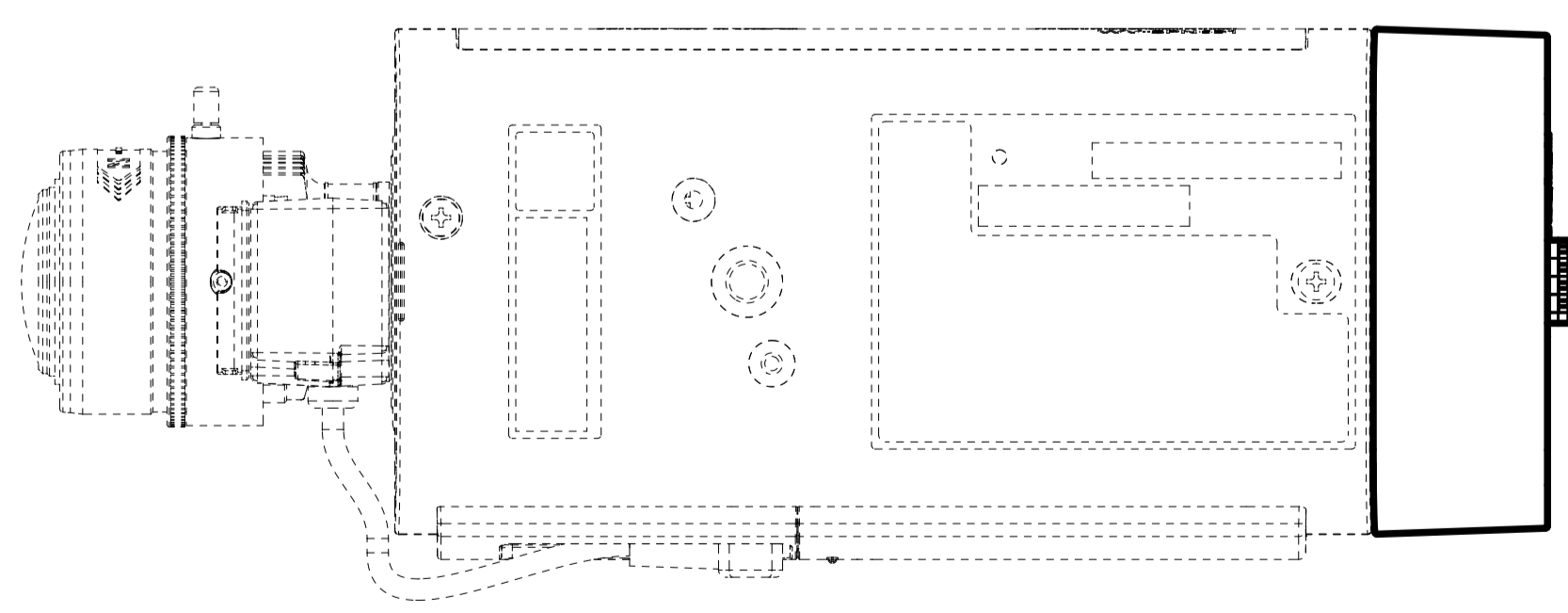
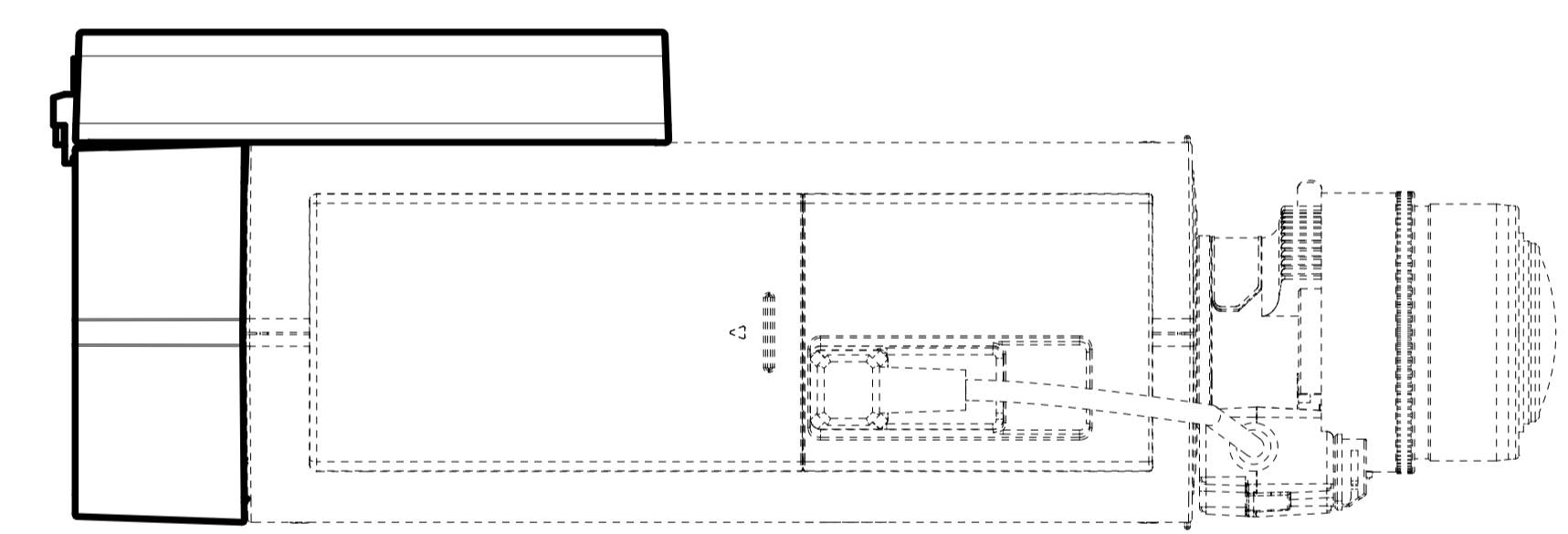
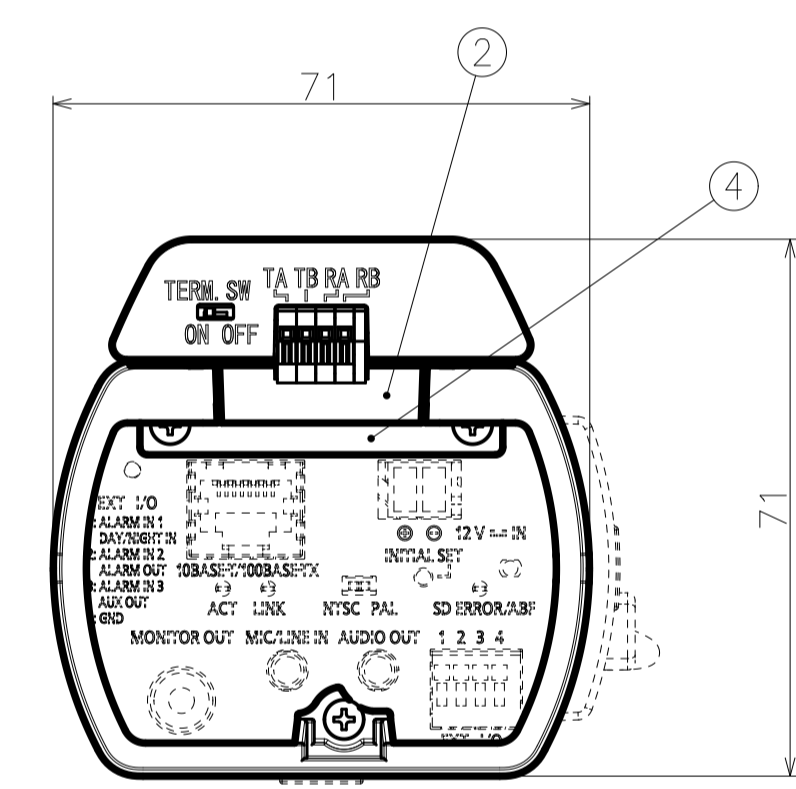
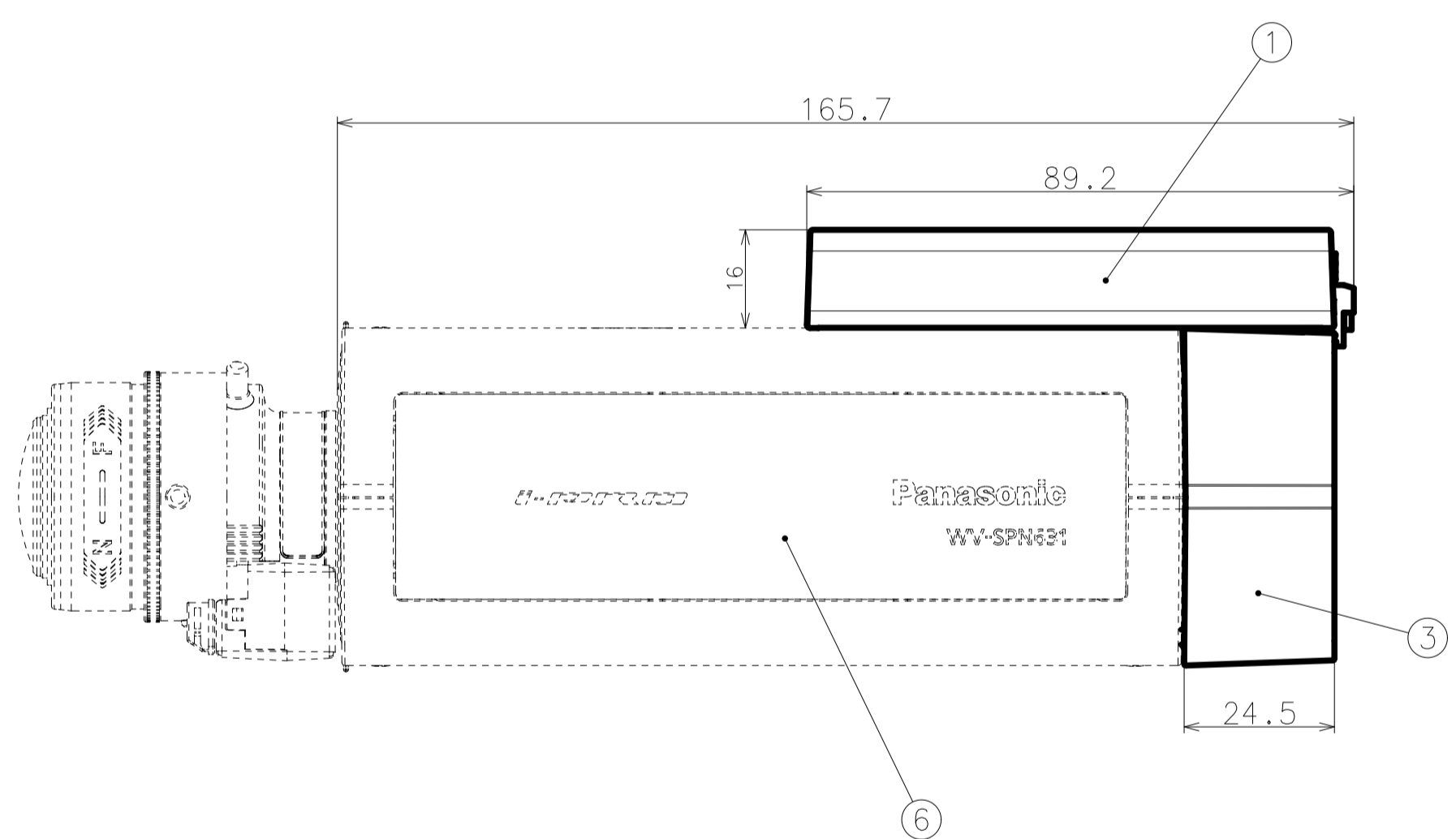
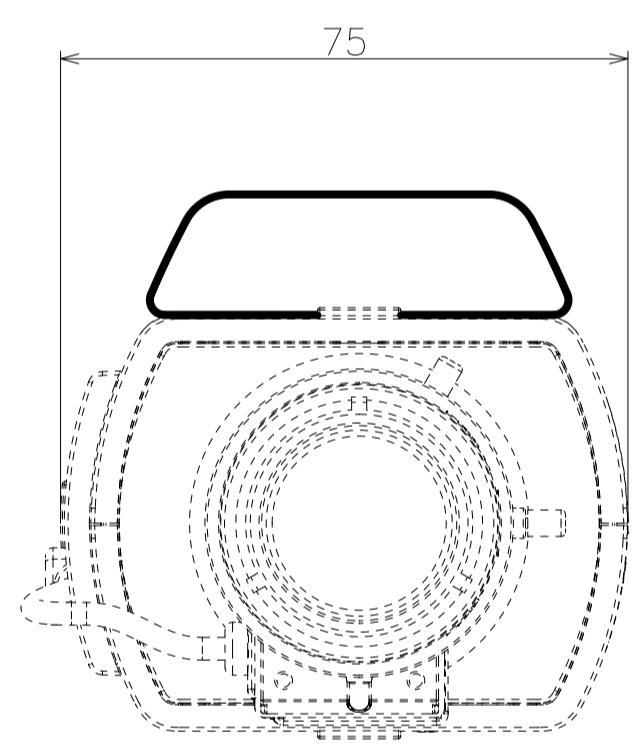
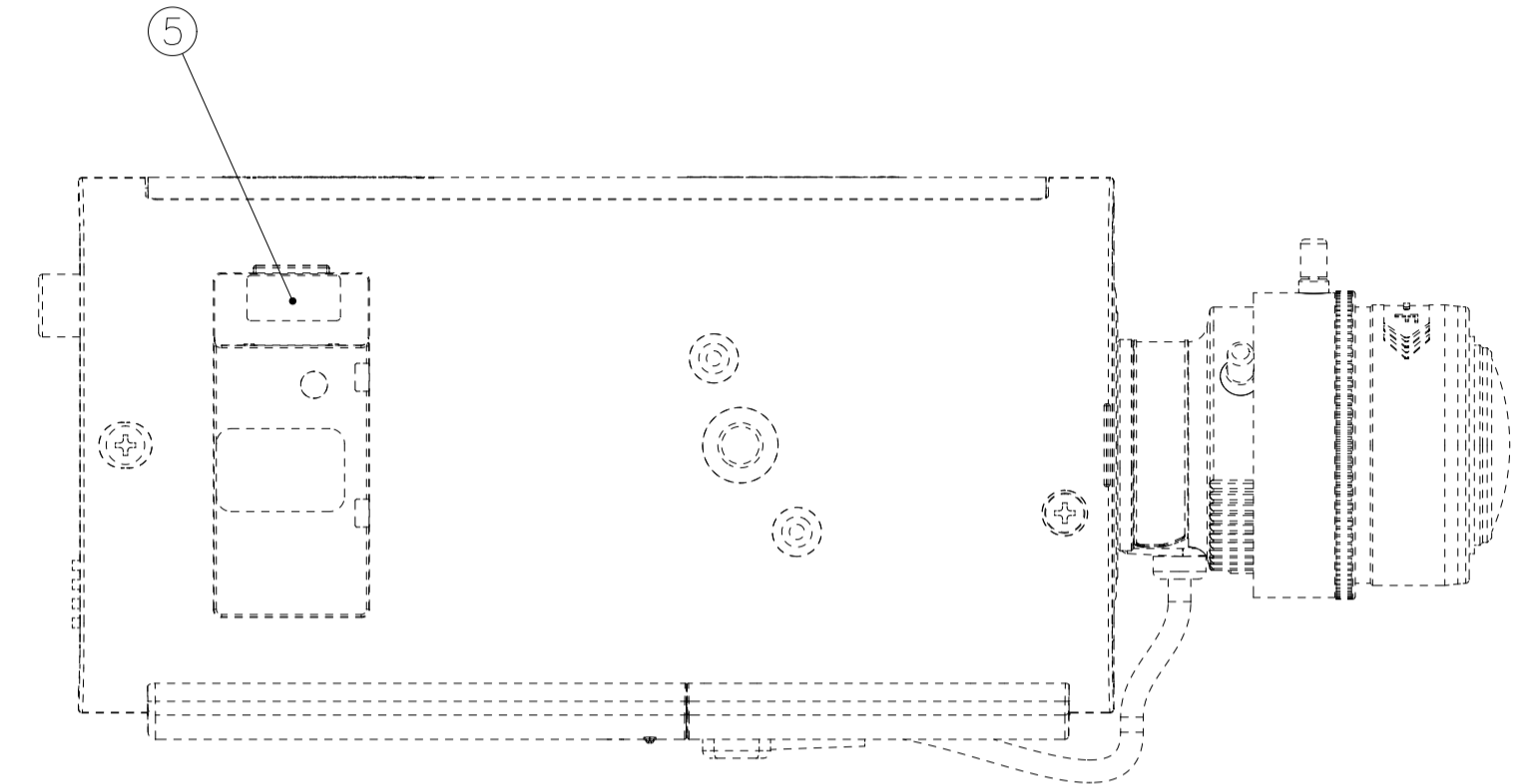
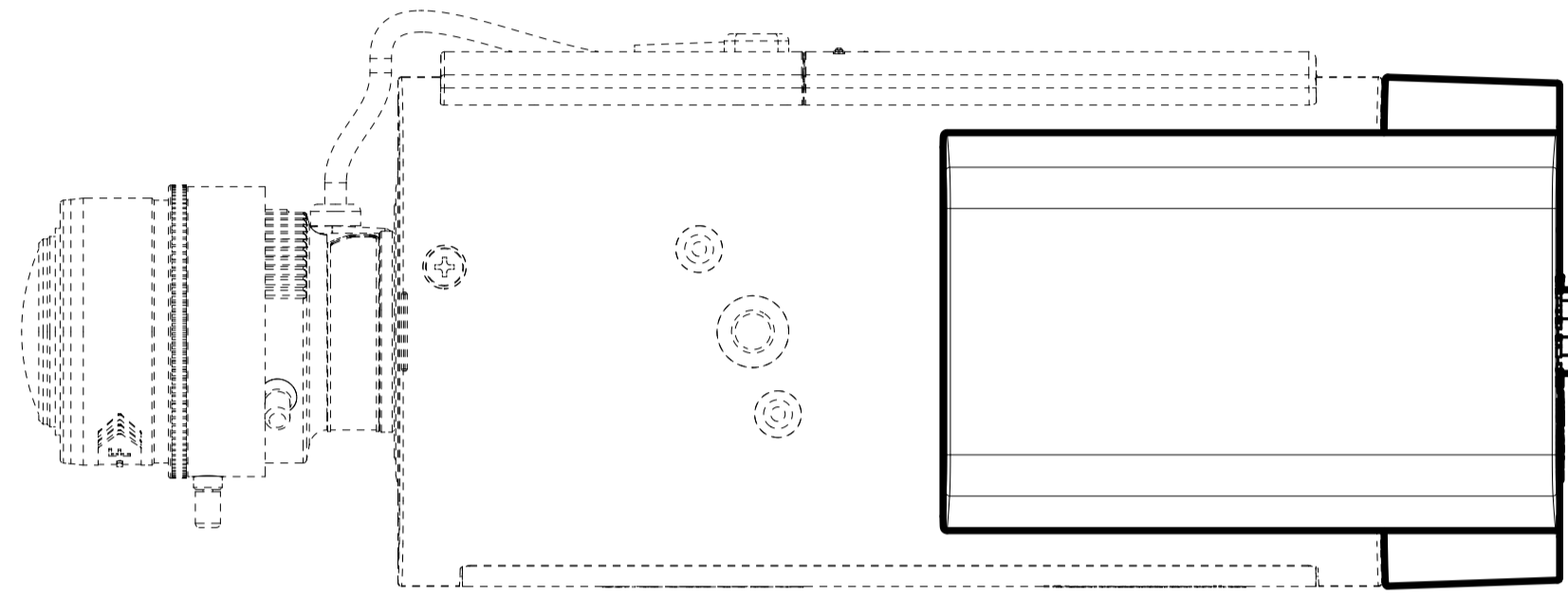


No.	PART NAME	MATERIAL	Process·Remark
1	UPPER_CASE	PC+ABS	
2	LOWER_CASE	PC+ABS	
3	CABLE_COVER	PC+ABS	
4	ATTACHMENT_PLATE	SPCC	
5	CONNECTOR	-	
6	CAMERA UNIT(Not included)	-	



Unit:mm

WV-SPN6R481