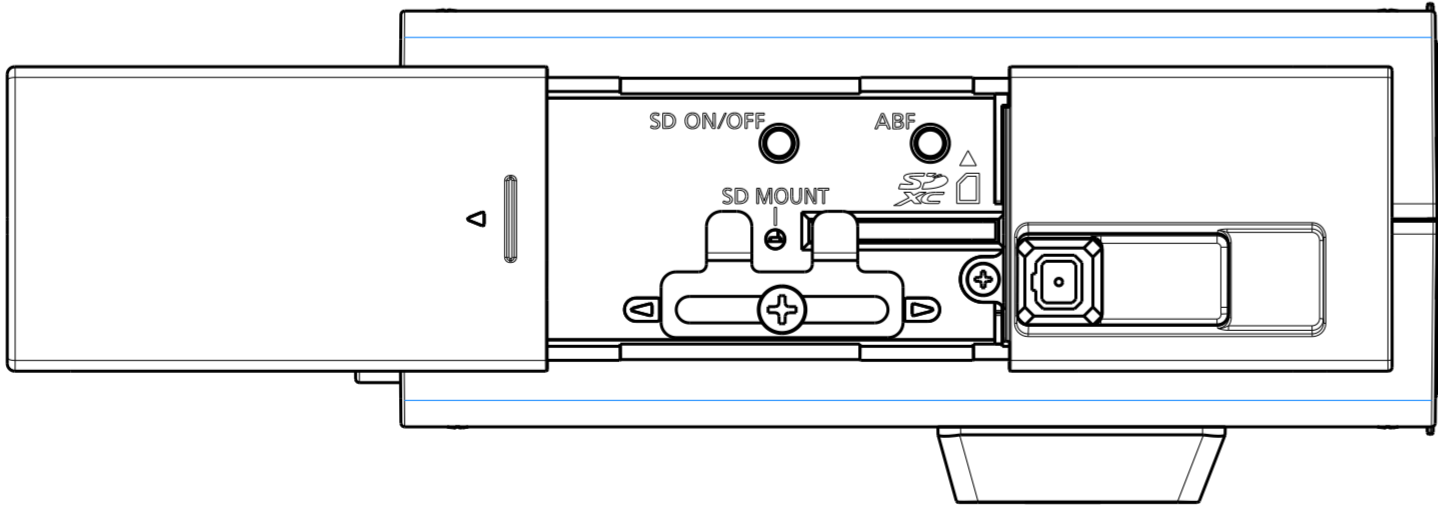
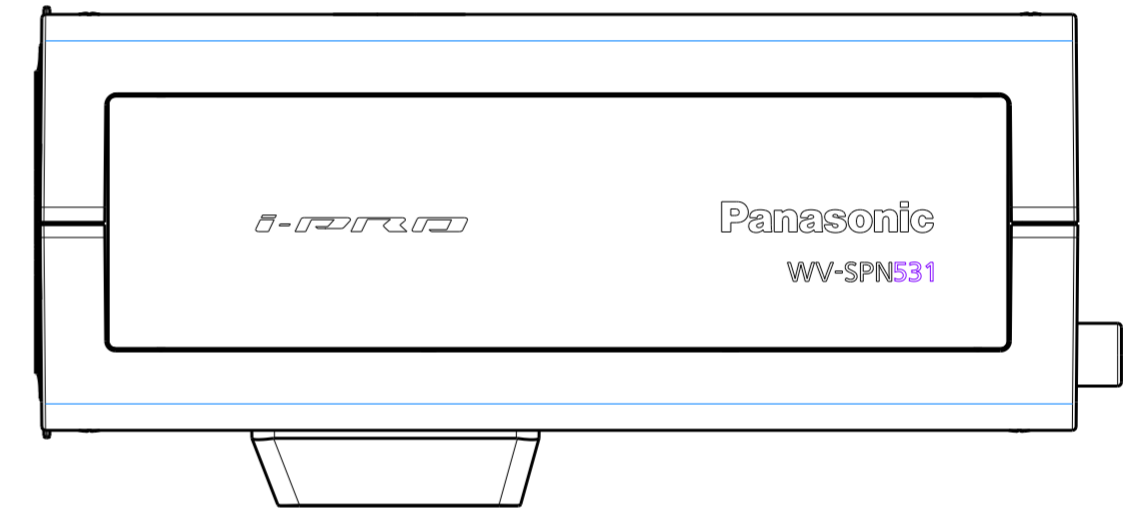
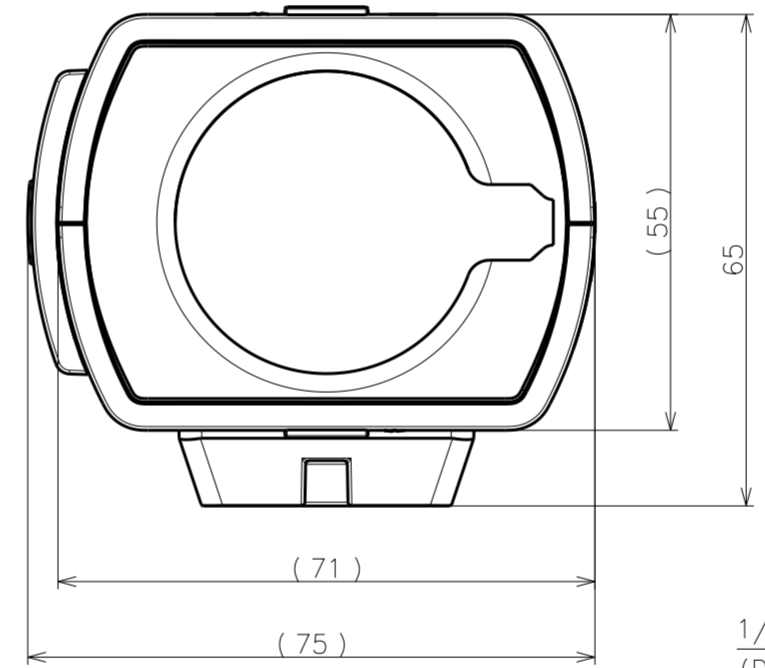
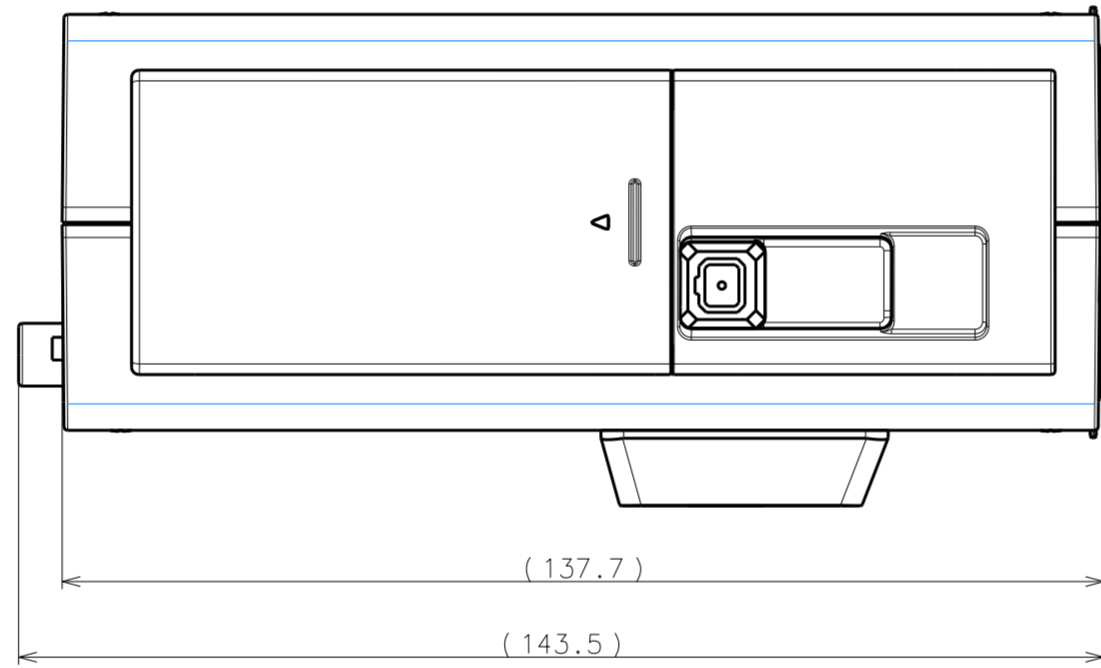
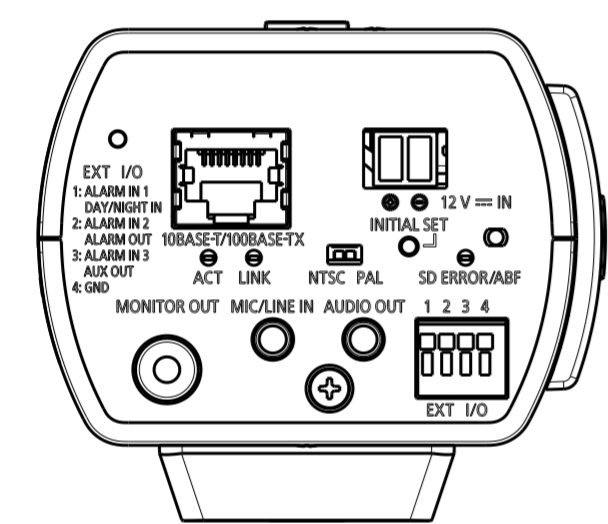
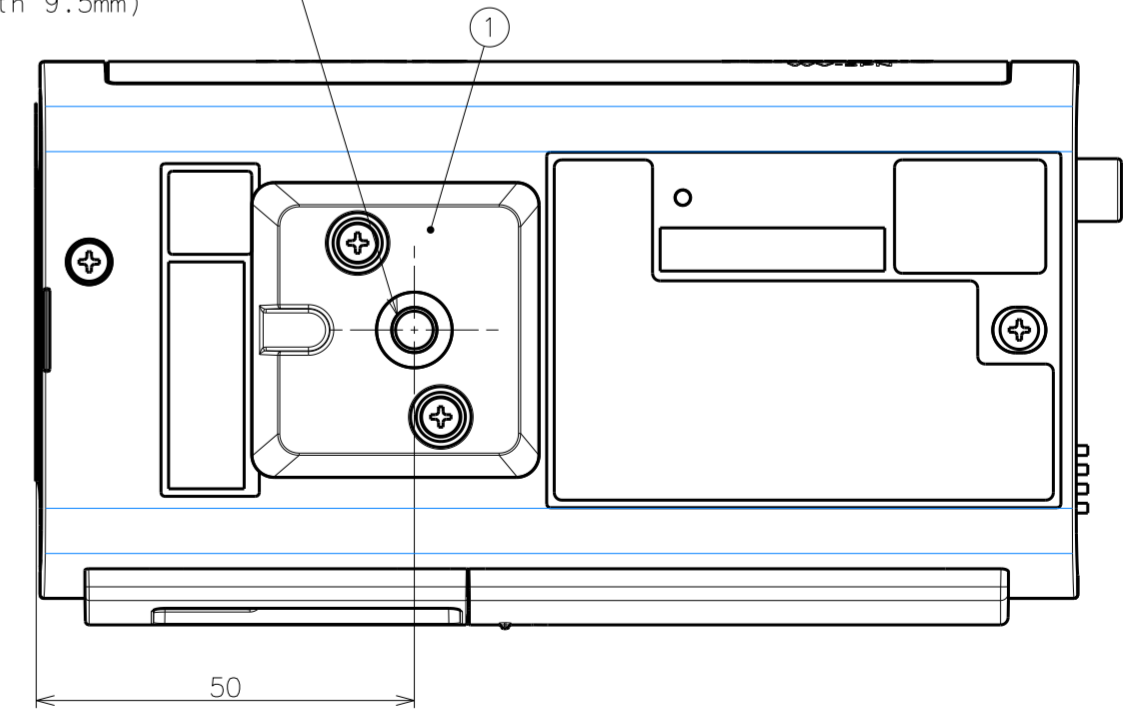


No.	Part Name	Material	Process-Remark
1	Tripods attachment Assy		



1/4-20UNC for Tripods  
 (Depth 9.5mm)



Unit:mm

**WV-SPN531**