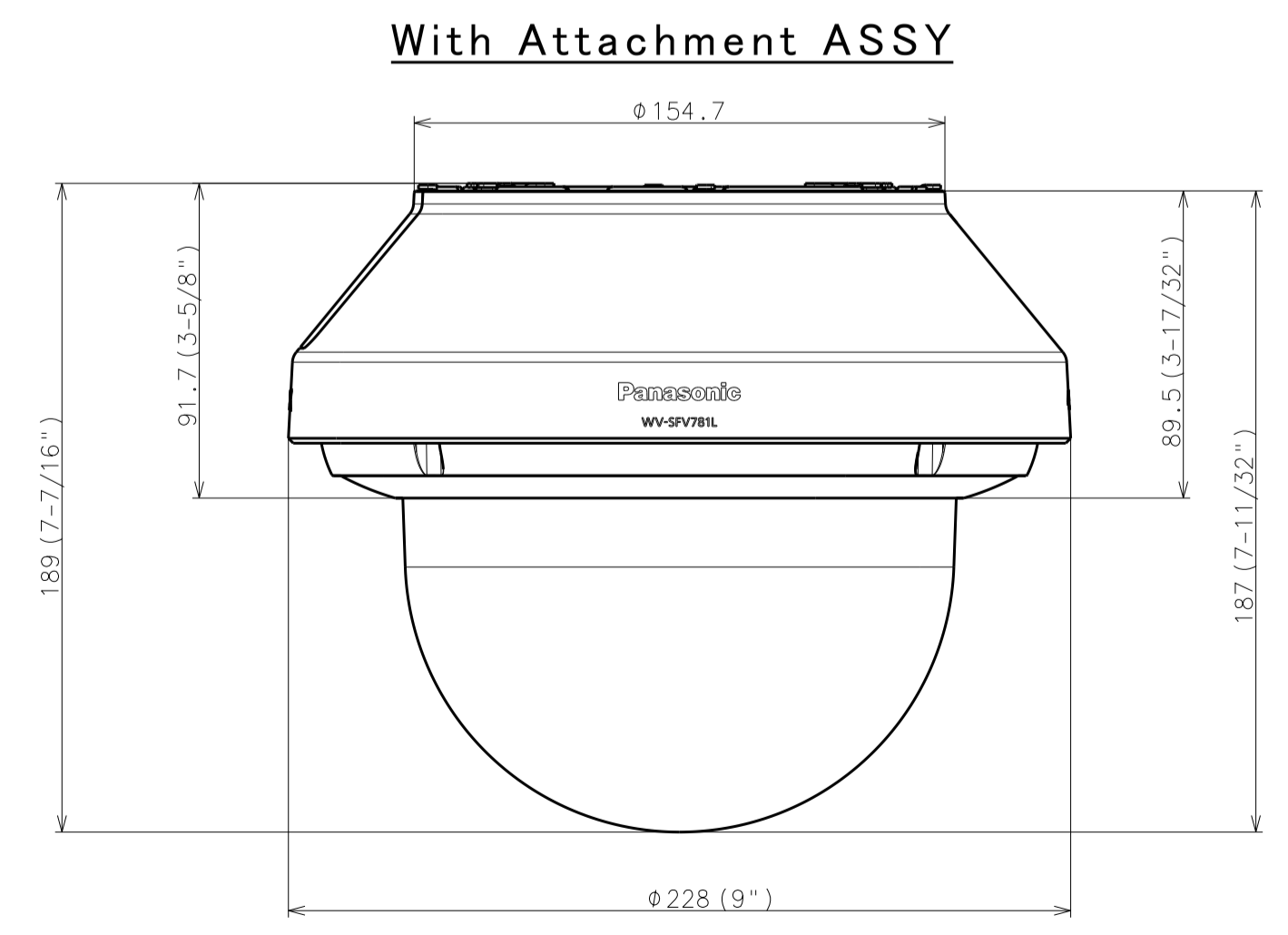
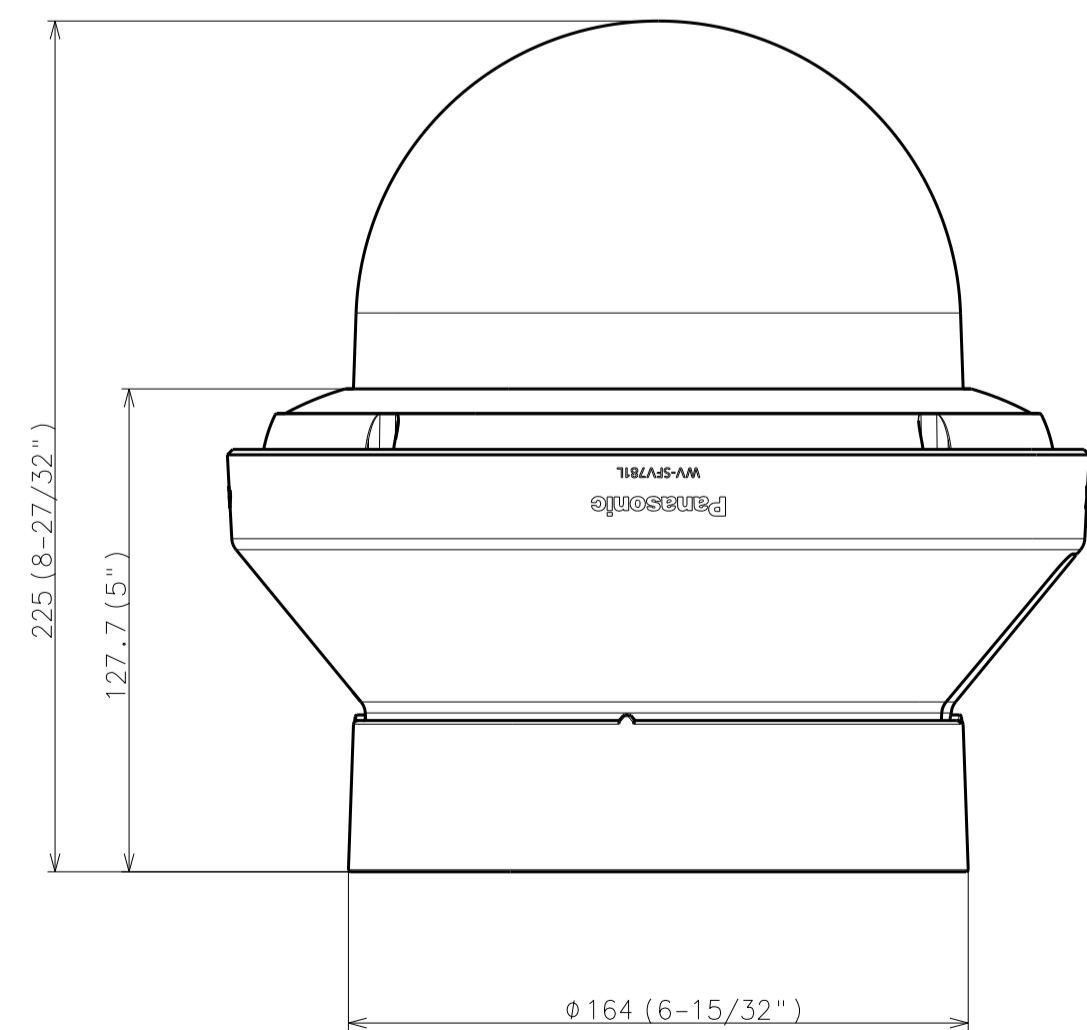
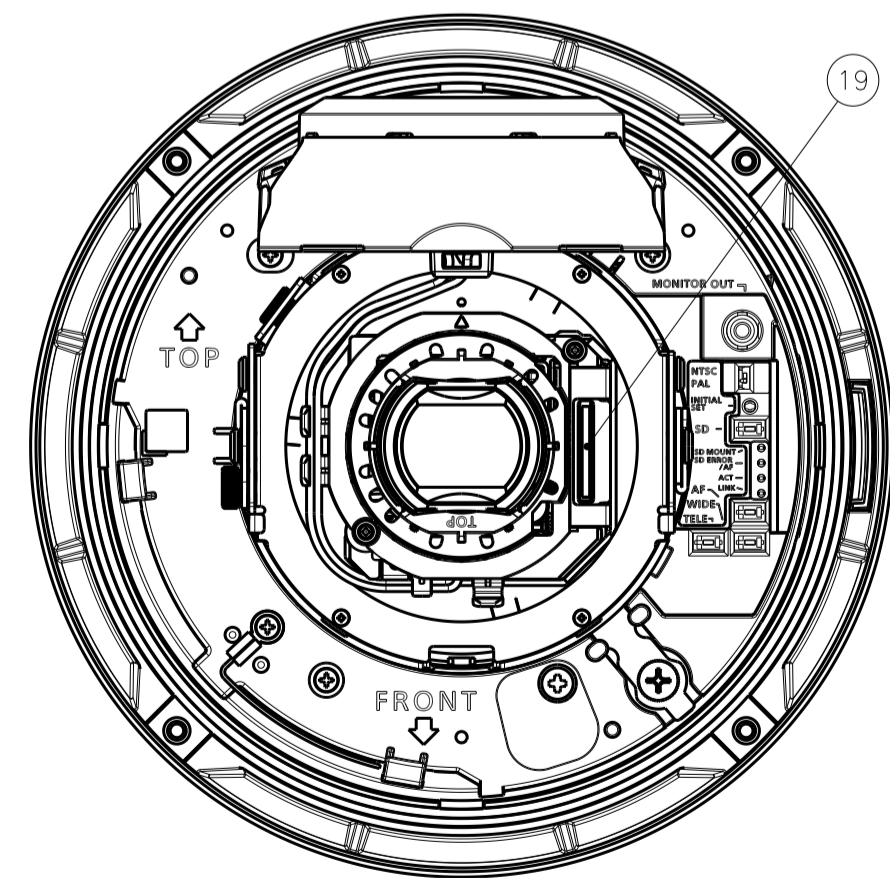
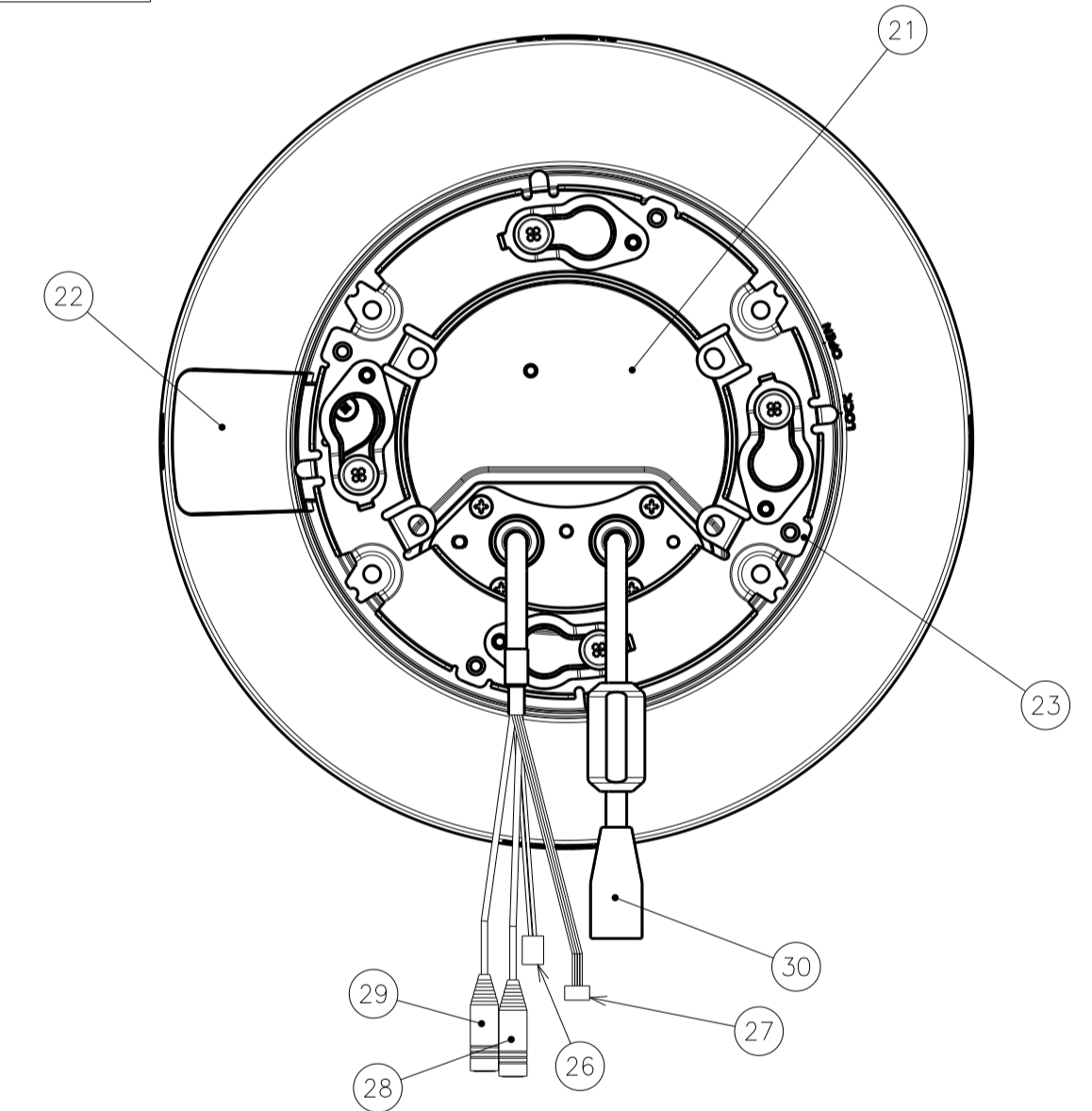
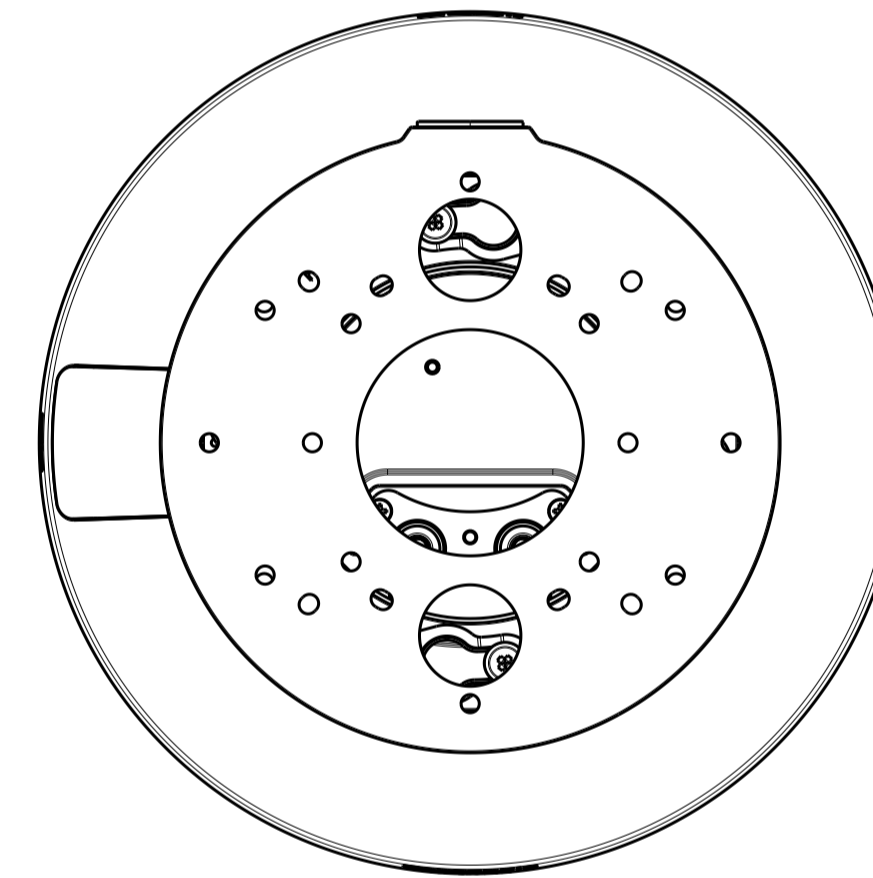
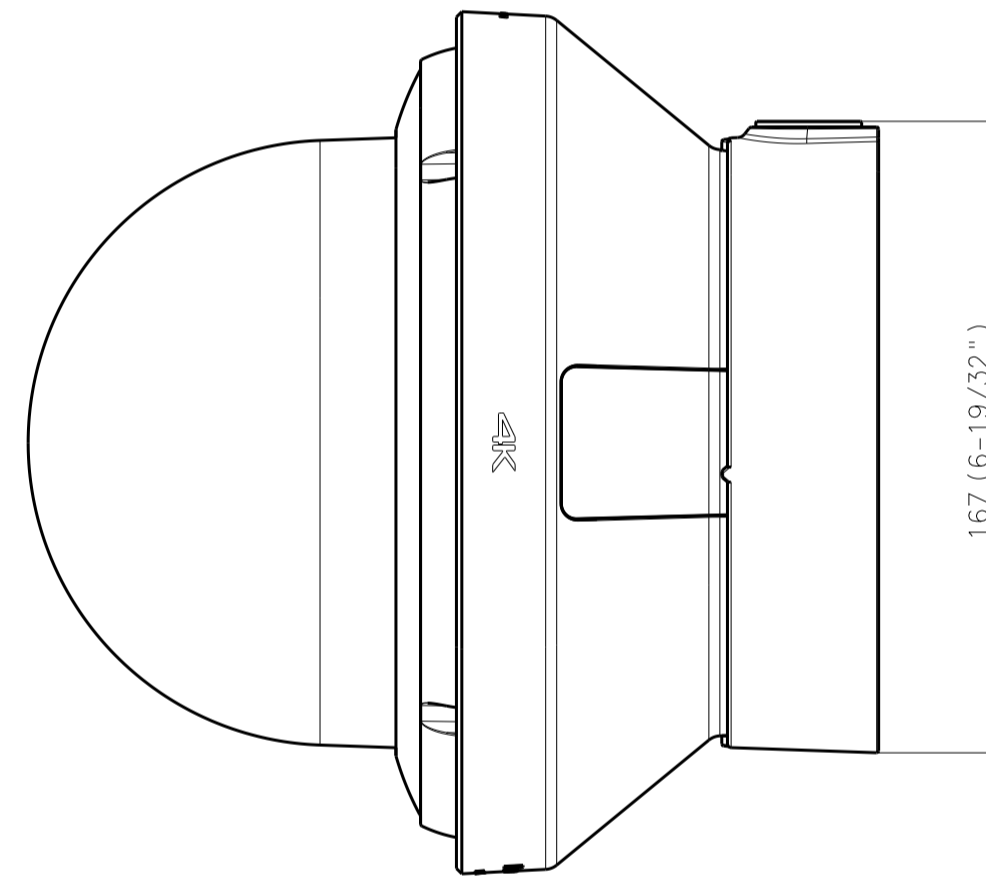
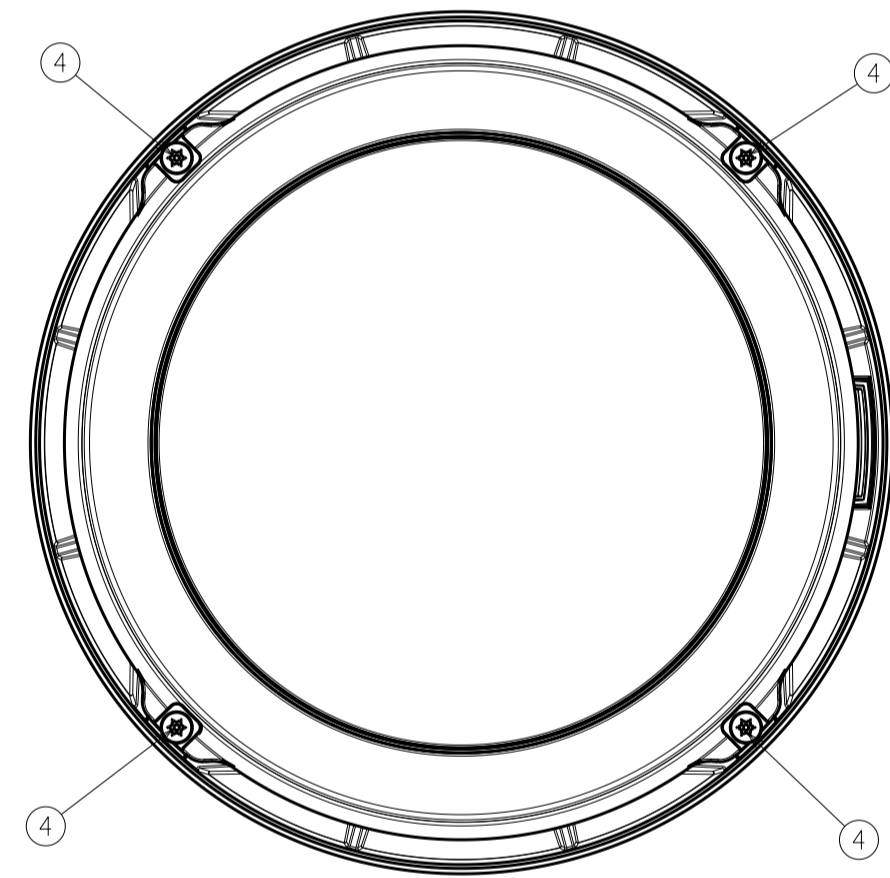
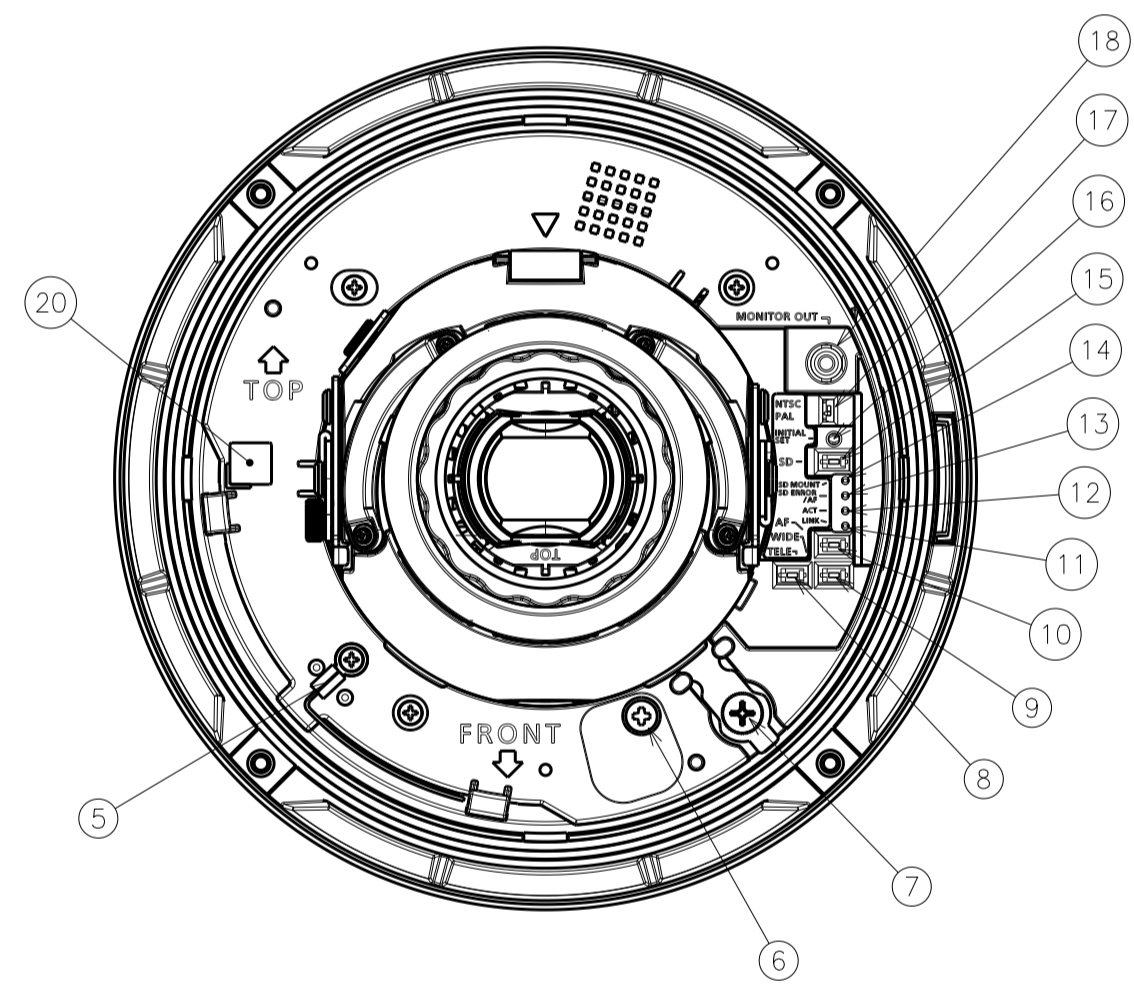
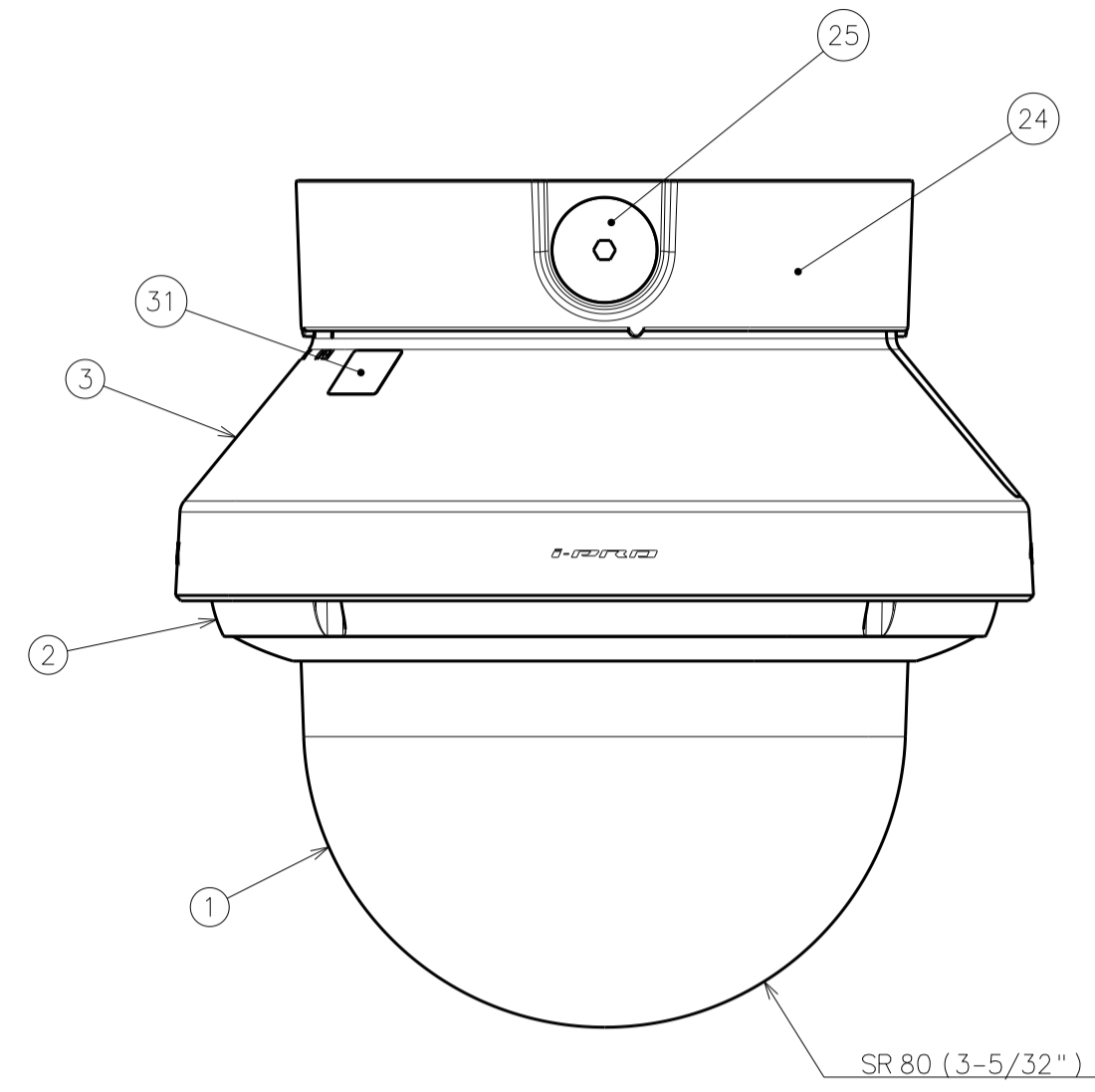


NO.	Part Name	Material	Process-Remark
1	DOME-lens-160mm	PC	Rain wash coating dome Preparation
2	Frame Base Housing	Aluminium Alloy Diecasting	
3	CASE LOWER	Aluminium Alloy Diecasting	
4	Special Screw TORX M4		
5	Safety wire for installation	SUS	
6	ATTACHMENT LOCK SCREW		
7	HAND SCREW		
8	TELE Switch (TELE)		
9	WIDE Switch (WIDE)		
10	AF Switch (AF)		
11	Link LED (LINK)		
12	ACCESS LED (ACT)		
13	SD ERROR / AF LED		
14	SD MOUNT LED		
15	SD ON/OFF Switch		
16	INITIAL SET Switch		
17	NTSC / PAL Switch		
18	MONITOR OUTPUT Jack		
19	SD CARD SLOT		
20	Data Matrix Label	Polyester Film	
21	Engrave Plate WV-SFV781L	Polyester Film	
22	COVER ROSARU	PC/ABS	
23	ATTACHMENT ASSY		
24	Mounting Base Cover	Aluminium Alloy Diecasting	
25	Pipe Hole Cap	PA	
26	Power Cable		
27	Alarm I/O Cable		
28	Audio Out Cable		Black
29	Mic./Line In Cable		White
30	Network Cable		
31	Production Year Label	Polyester Film	



Unit:mm

WV-SFV781L