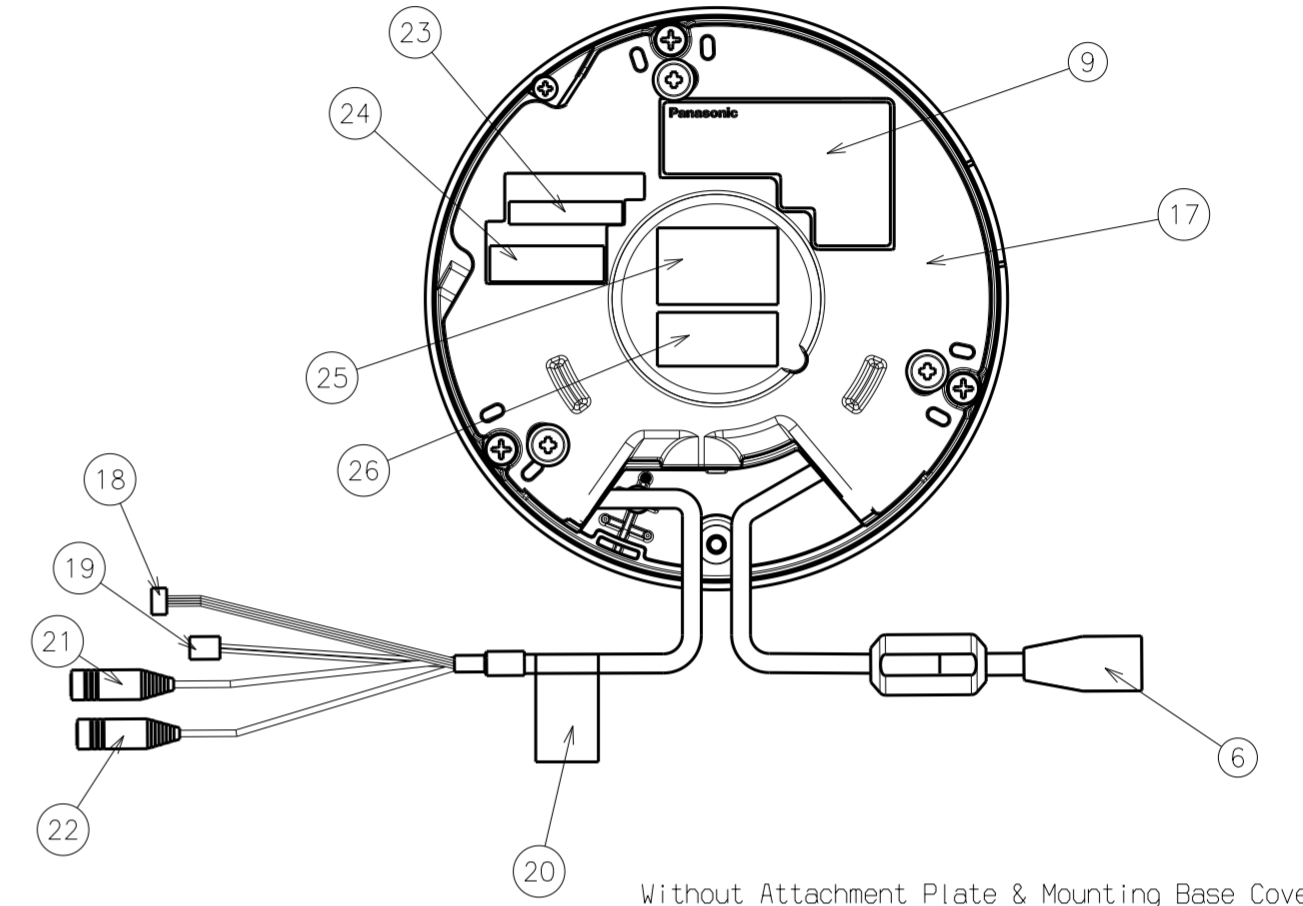
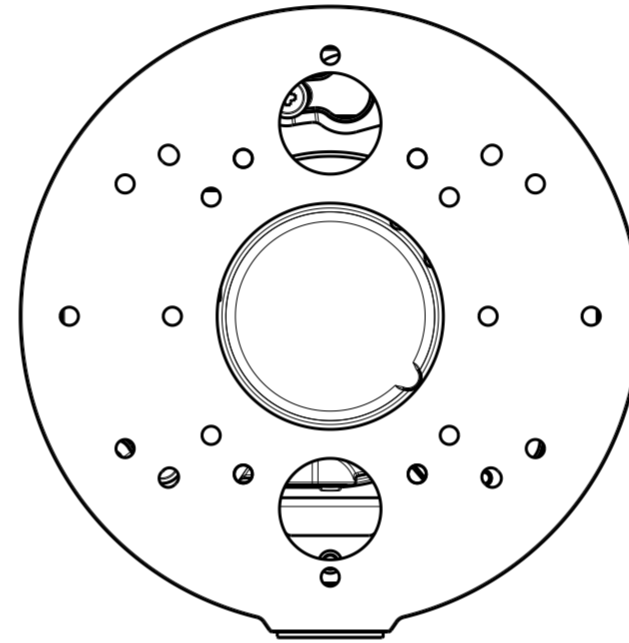
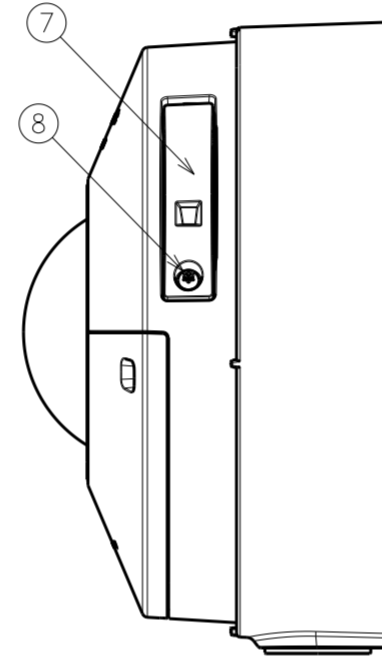
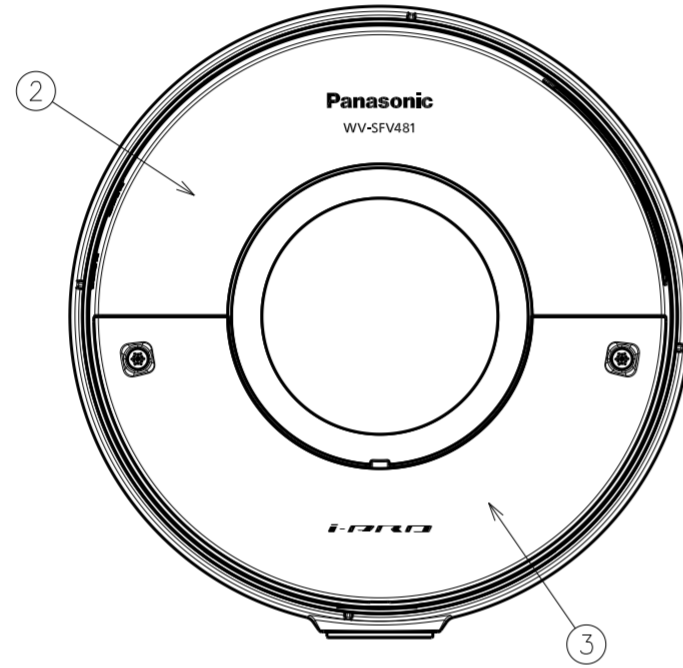
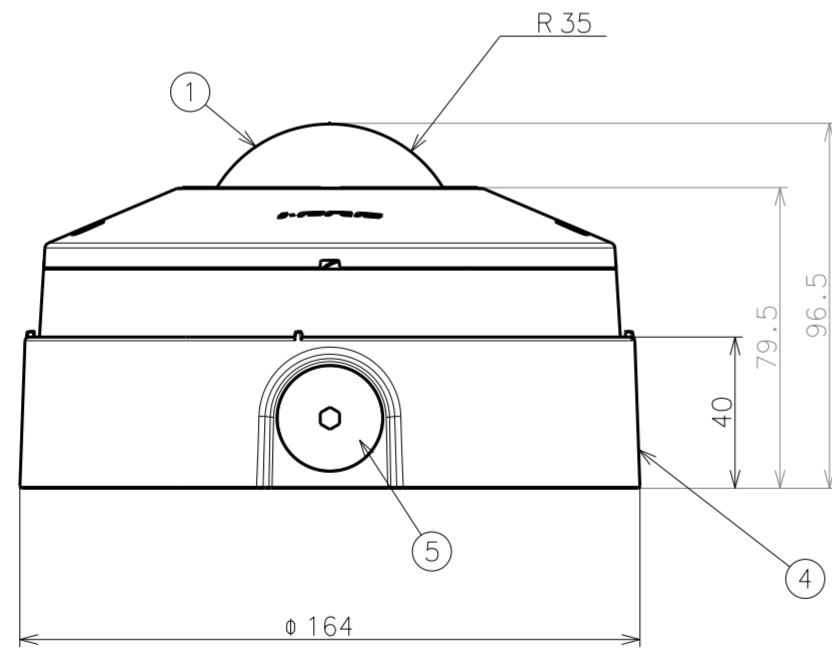


Inside of SD-slot cover
(S=1/1)

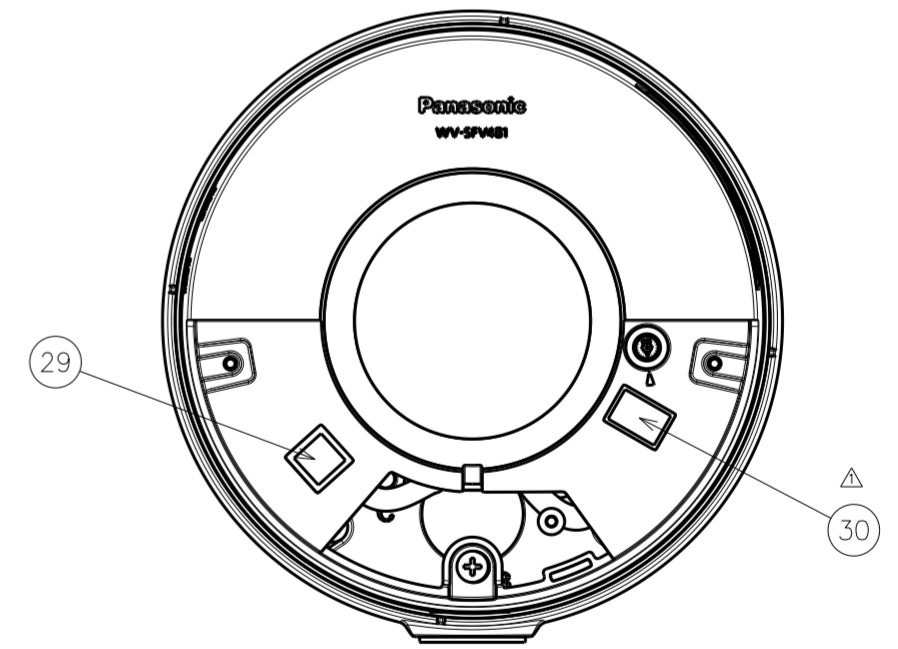


Without Attachment Plate & Mounting Base Cover



No.	Part Name	QTY	MATERIAL & SIZE	TREATMENT	REMARK
30	IMAGE ROTATION LABEL	1	Polyester Film	Printing	-
29	Data Matrix Label	1	Polyester Film	Printing	-
28	SD-slot Label	1	Polyester Film	Printing	-
27	Product year Label	1	Polyester Film	Printing	-
26	VCCI-A Label	1	Polyester Film	Printing	-
25	FCC IEC-3A label	1	Polyester Film	Printing	-
24	CODE LABEL	1	Polyester Film	Printing	-
23	Serial.No	1	Polyester Film	Printing	-
22	MIC./Line In Cable	1	-	-	-
21	Audio Out Cable	1	-	-	-
20	Wiring Attention Label	1	Polyester Film	Printing	-
19	Power Cable	1	-	-	-
18	Alarm I/O Cable	1	-	-	-
17	Lower Case	1	Aluminium Alloy Diecasting	Painted(Black)	-
16	INITIAL SET button	1	-	-	-
15	Access LED (ACT)	1	-	-	-
14	Link LED (LINK)	1	-	-	-
13	SD ERROR/ABF LED	1	-	-	-
12	SD MOUNT LED	1	-	-	-
11	SD ON/OFF button	1	-	-	-
10	SD memory card slot	1	-	-	-
9	Name Label	1	Polyester Film	Printing	-
8	SD CARD Cover Lock Screw	1	Stainless Steel	-	-
7	SD CARD Cover	1	Aluminium Alloy Diecasting	Painted (Light Gray)	-
6	Network Cable (RJ45)	1	-	-	-
5	Pipe Hole Cap	1	PA	-	-
4	Mounting Base Cover	1	Aluminium Alloy Diecasting	-	-
3	Upper Case Sub Cover	1	Aluminium Alloy Diecasting	Painted (Light Gray) & Printing	-
2	Upper Case	1	Aluminium Alloy Diecasting	Painted (Light Gray) & Printing	-
1	Dome Cover	1	PC	-	-

Unit:mm



Without Upper Case Sub Cover

WV-SFV481