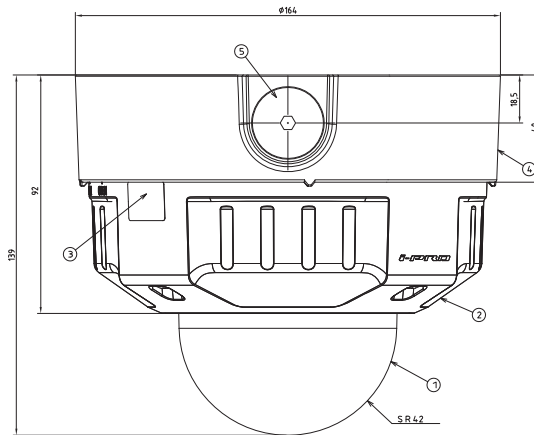
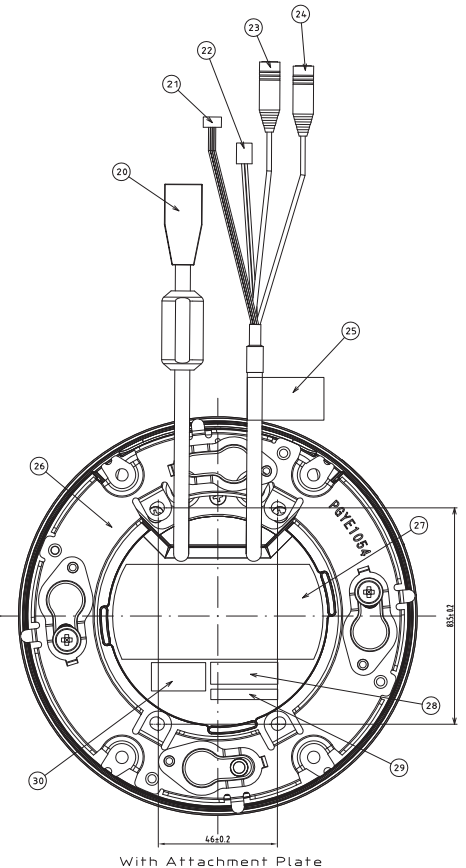


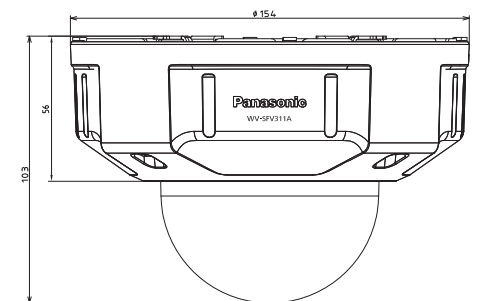
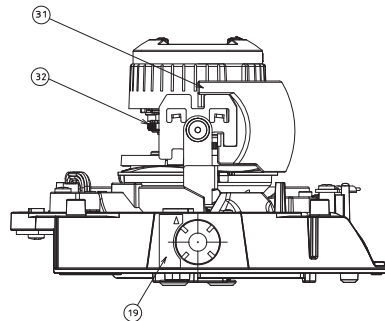
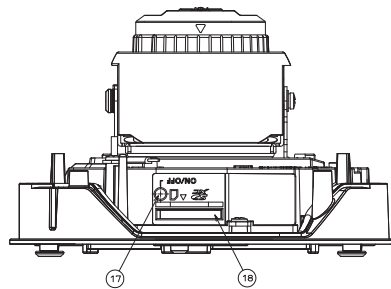
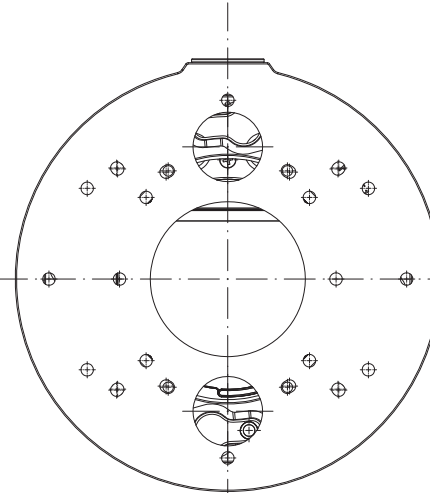
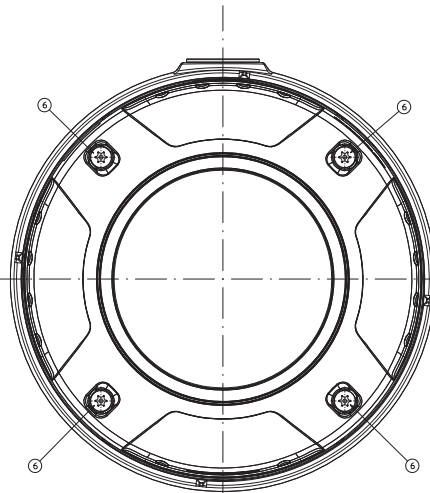
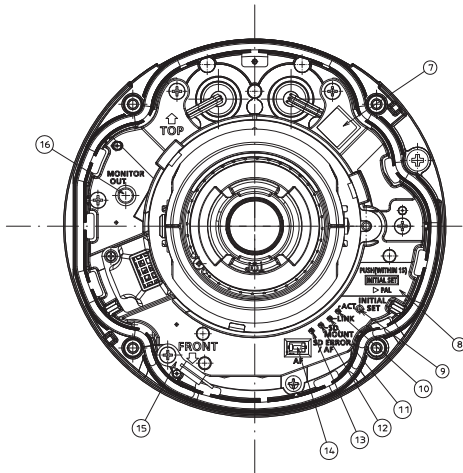
NO.	Part Name	Material	Process/Remark
1	Clear Dome Cover	PC	With a Protection Film
2	Enclosure	ADC12	Coating(Light Gray)
3	Production Year Label	Polyester Film	
4	Mounting Base Cover	ADC12	
5	Pipe Hole Cap	PA	
6	Enclosure Lock Screw	Stainless steel	
7	Data Matrix Label	Polyester Film	
8	NTSC/PAL Switch Label	Polyester Film	
9	INITIAL SET Switch		
10	ACCESS LED(AC)		
11	Link LED(LINK)		
12	SD MOUNT LED		
13	SD ERROR / AF LED		
14	AF Switch (AF)		
15	Support Wire	SUS304	
16	MONITOR OUTPUT jack		
17	SD ON/OFF Switch		
18	SD Slot		
19	Positioning Label	Polyester Film	
20	Network Cable		
21	Alarm I/O Cable		
22	Power Cable		
23	Audio Out Cable	Black	
24	MIC /Line In Cable		
25	Wiring Attention Label	Polyester Film	
26	Attachment plate	SECC	
27	Name Plate	Polyester Film	
28	Code Label		
29	Serial Number Label	Polyester Film	
30	CE-PTC Label	Polyester Film	
31	Inner Case	PC	
32	ZOOM Knob		



Side-view  
(with Mounting BASE COVER) 0.015m<sup>2</sup>



With Attachment Plate



Unit:mm

**WV-SFV311A**