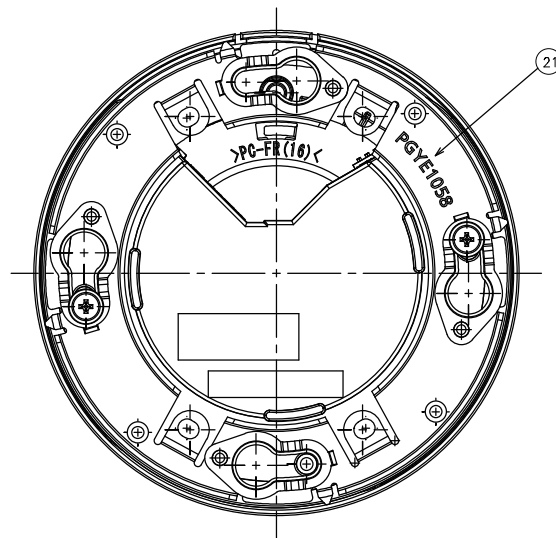
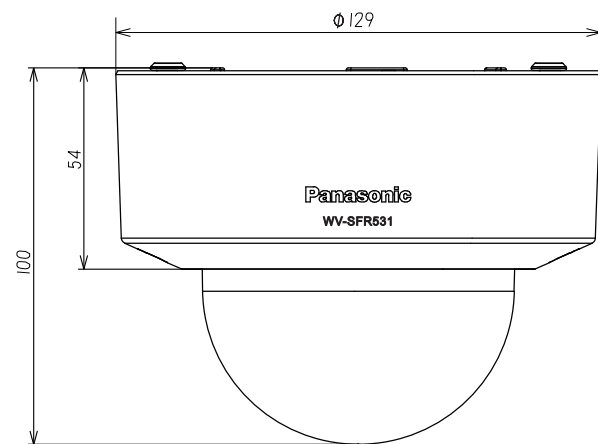
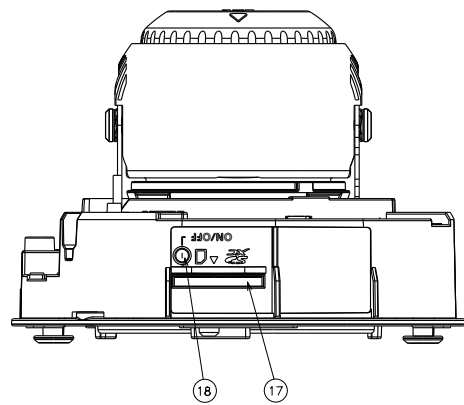
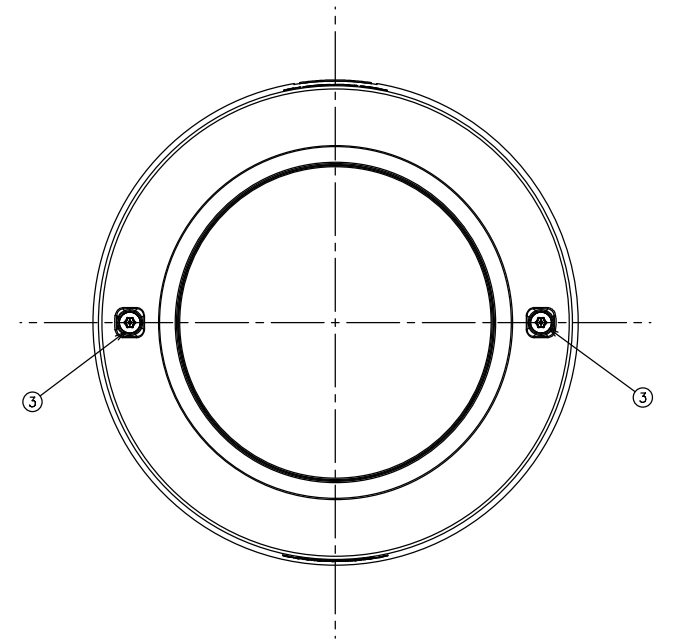
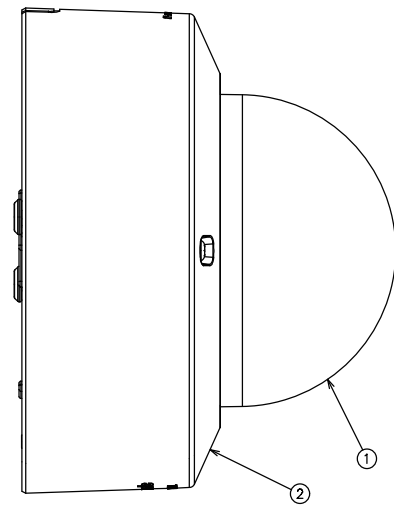
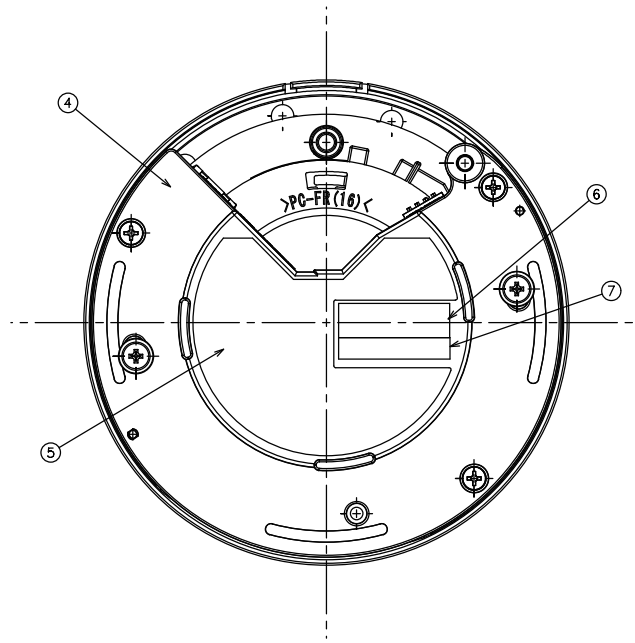
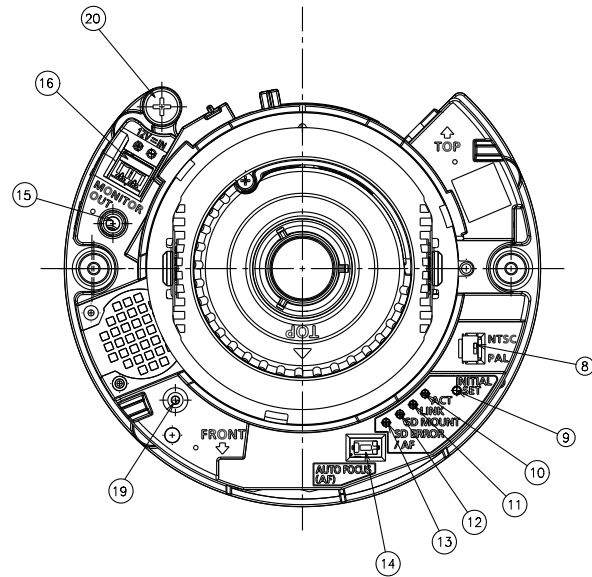


No.	Part Name	Material	Process-Remark
1	Dome Cover	PC(Clear)	With a Protection Film
2	Case Upper	ADC12	
3	Top Cover Lock Screw	Stainless Steel	
4	Case Lower	ADC12	
5	Name Plate	Polyester Film	
6	MAC Adress Label		
7	Serial No. LABEL	Polyester Film	
8	NTSC/PAL Switch		
9	INITIAL SET Switch		
10	ACT LED		
11	LINK LED		
12	SD MOUNT LED		
13	SD ERRER/AF LED		
14	WIDE Switch		
15	MONITOR OUTPUT Jack		
16	DC 12V INPUT Terminal		
17	SD CARD Socket		
18	SD ON/OFF Switch		
19	Support wire for installation	SUS304	
20	Wall Fitting Screw		
21	Attachment Assy		
22	RJ-45 Connector		
23	MIC/LINE INPUT Jack		
24	AUDIO OUTPUT Jack		
25	EXT I/O Connector		



With Attachment Plate



WV-SFR531