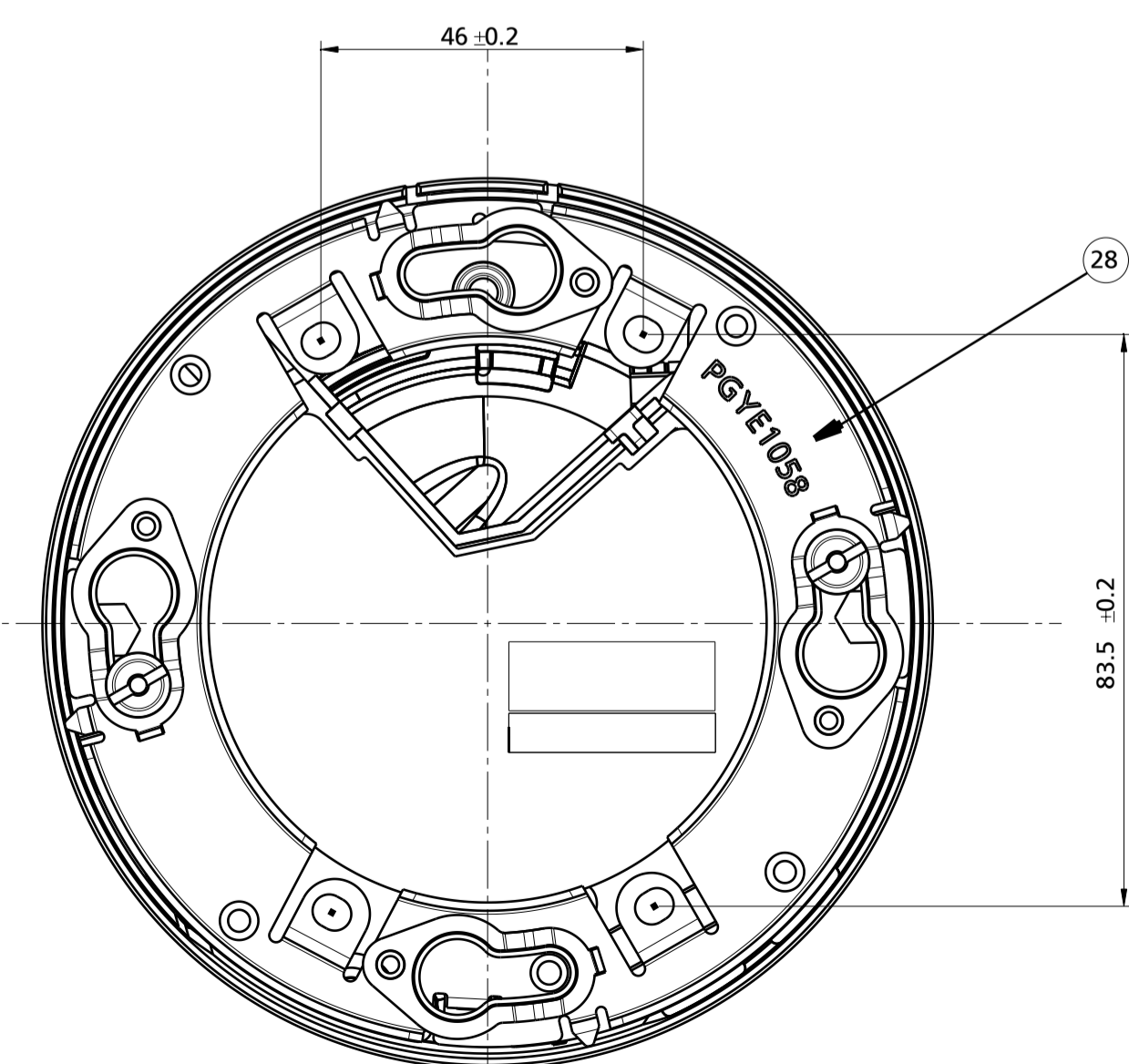
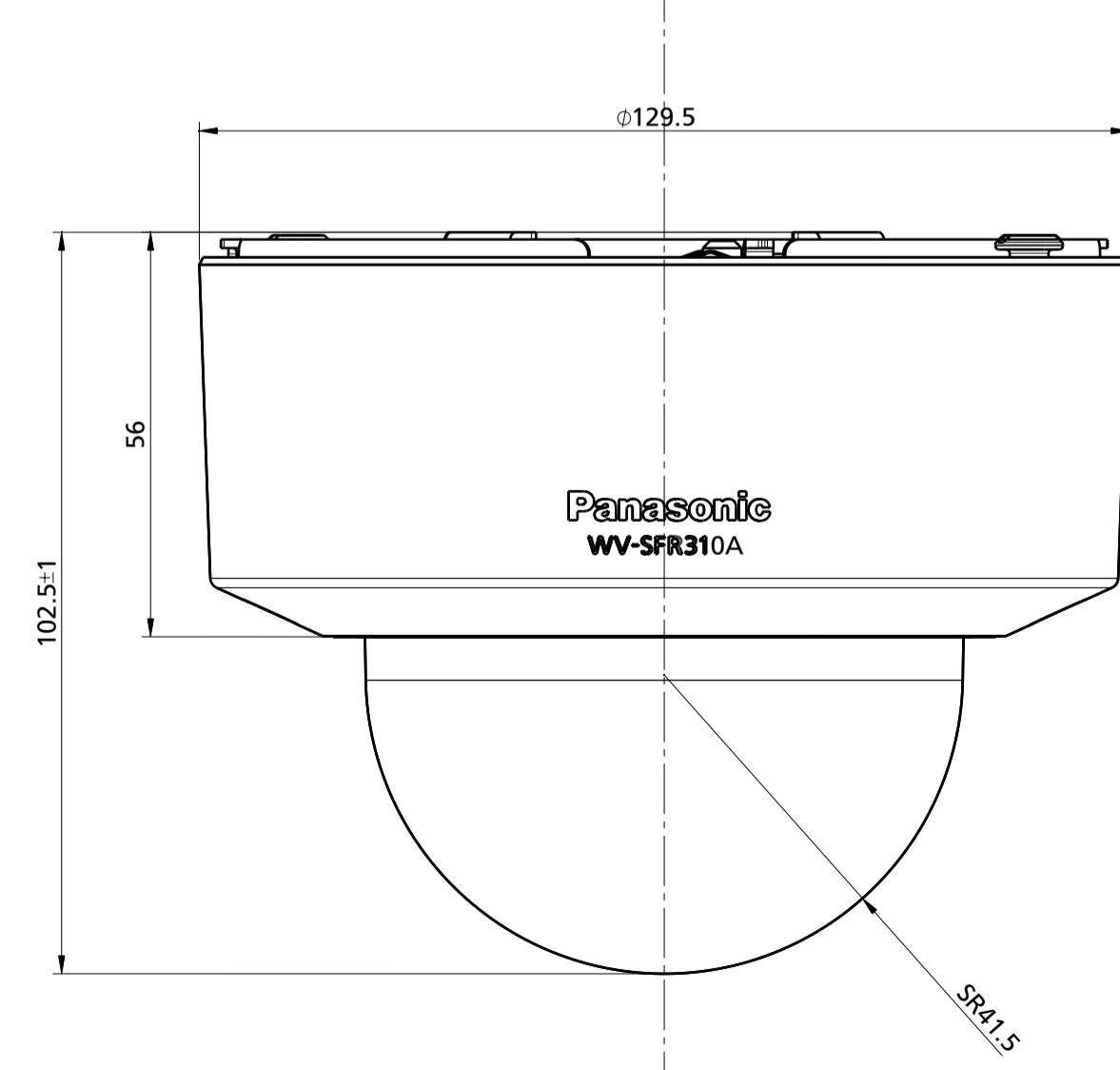
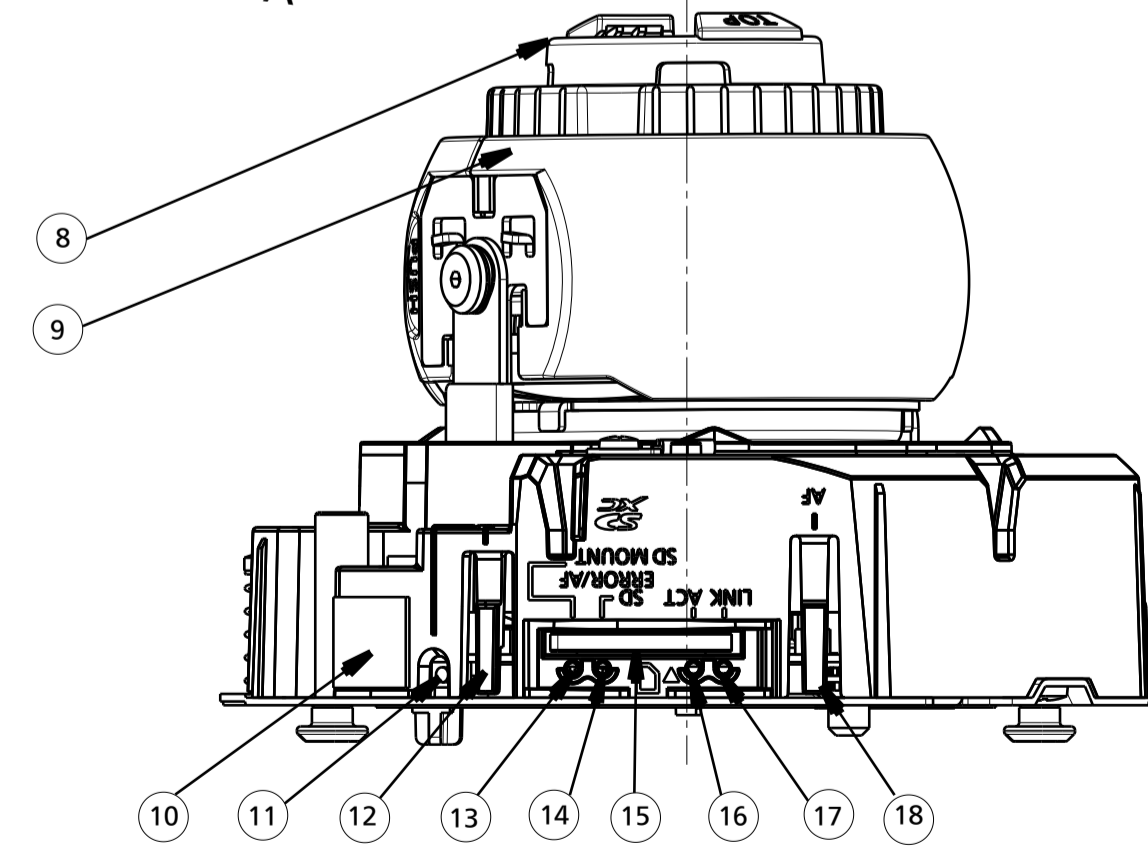
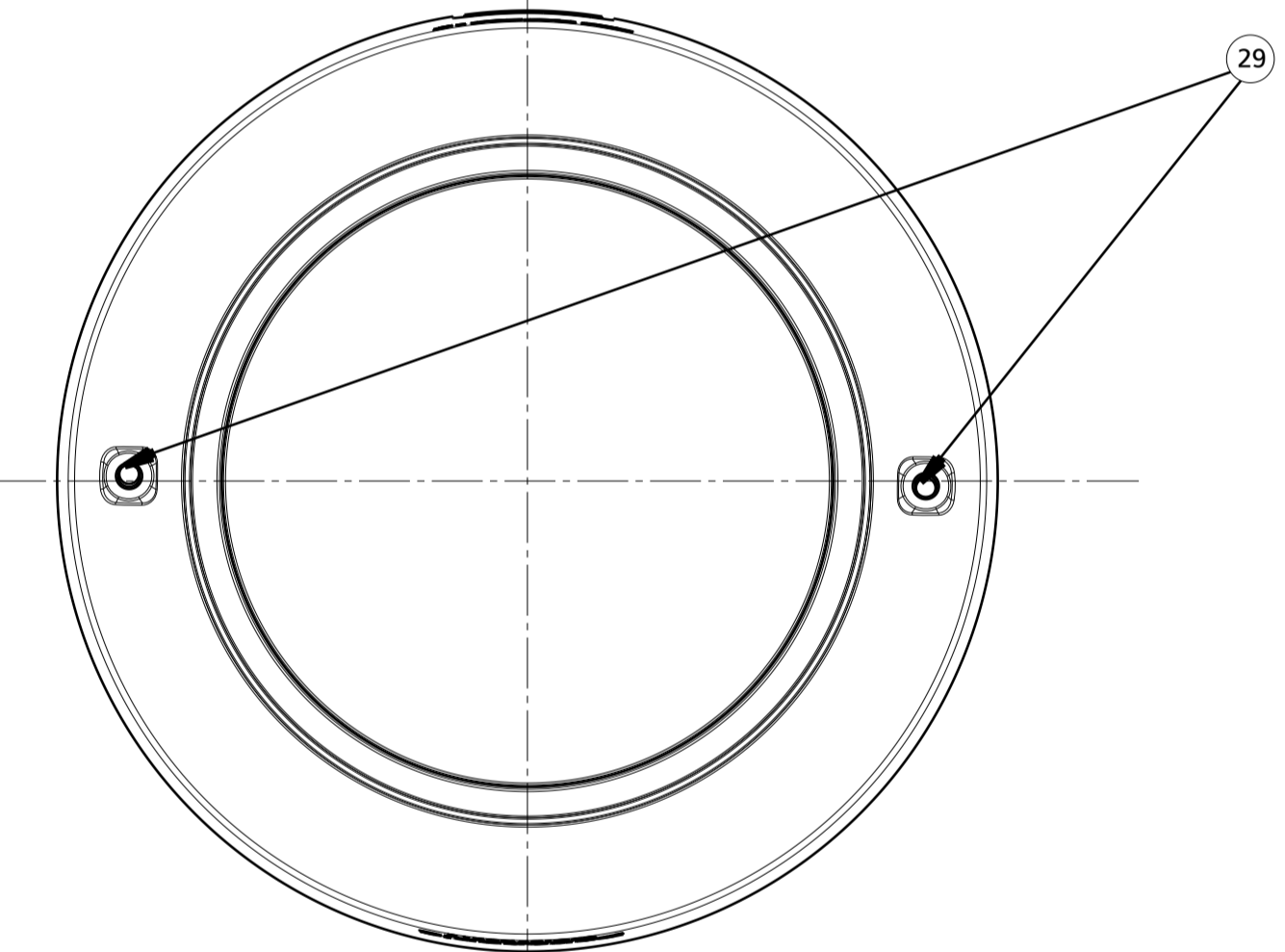
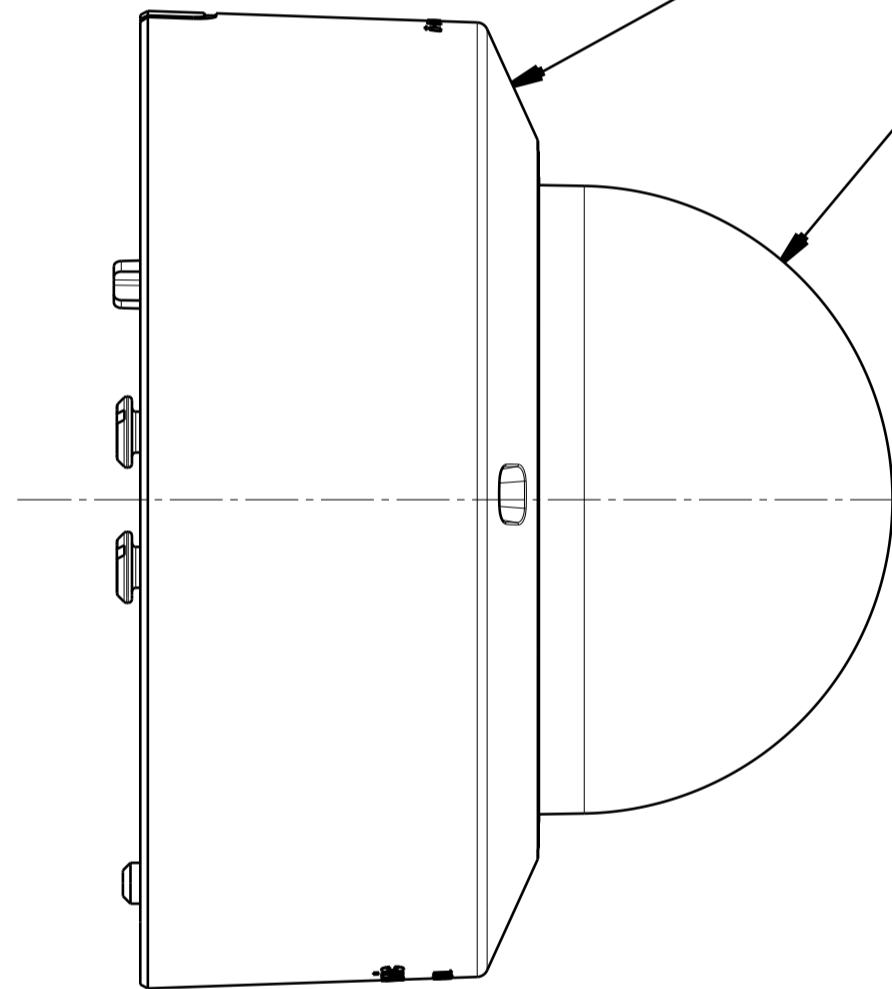
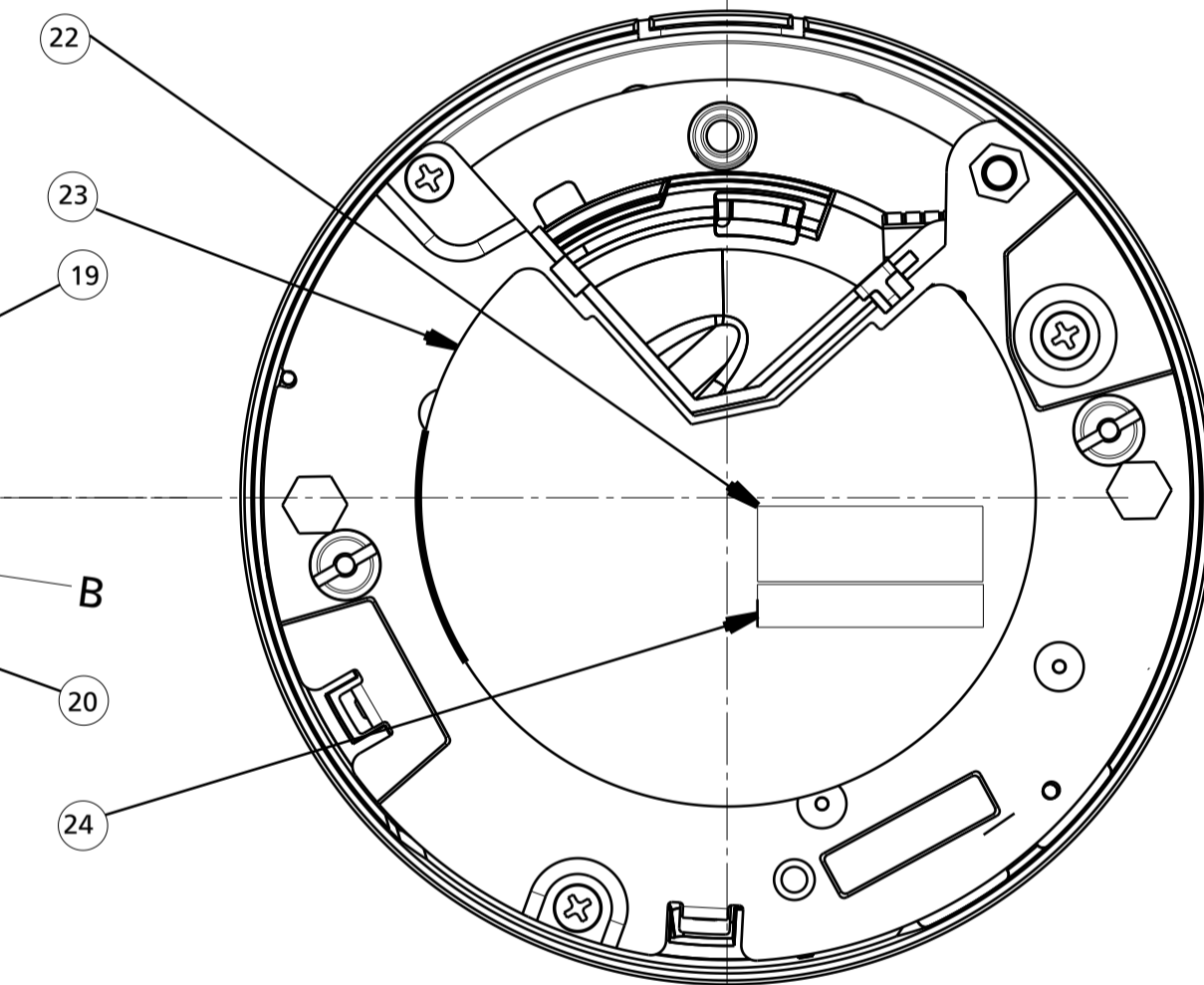
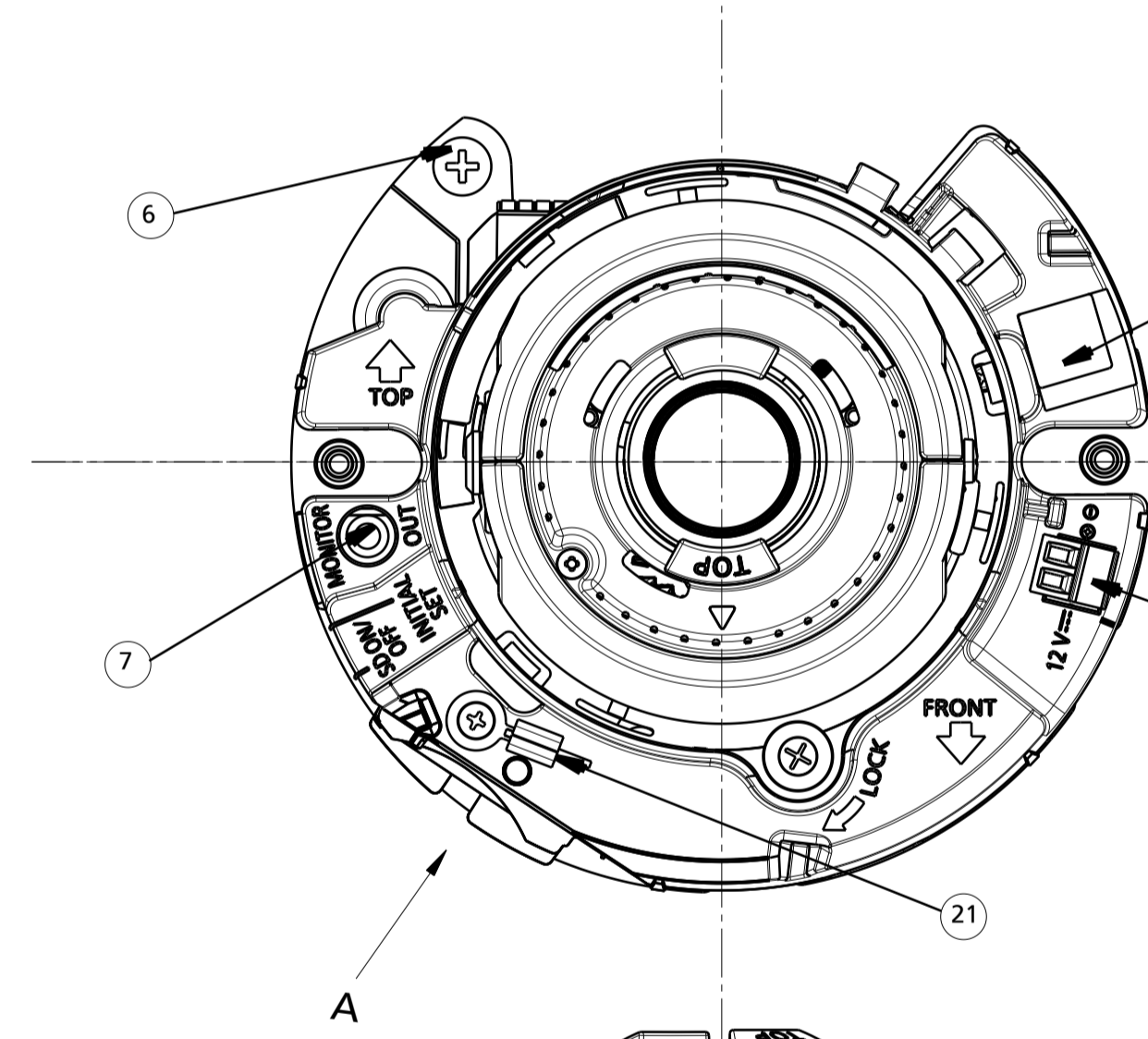
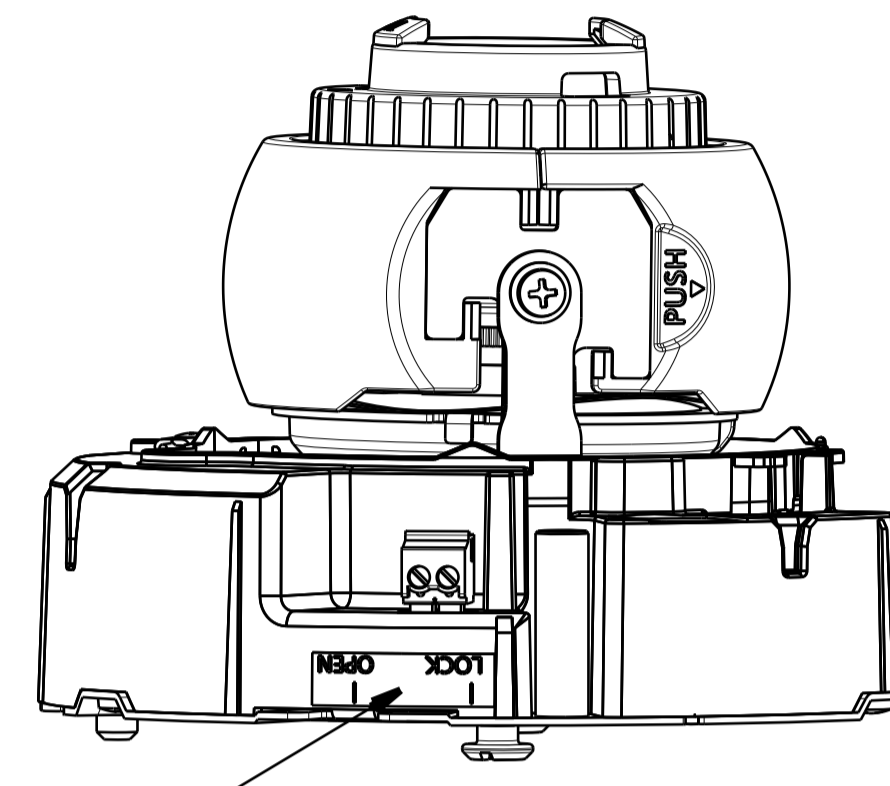
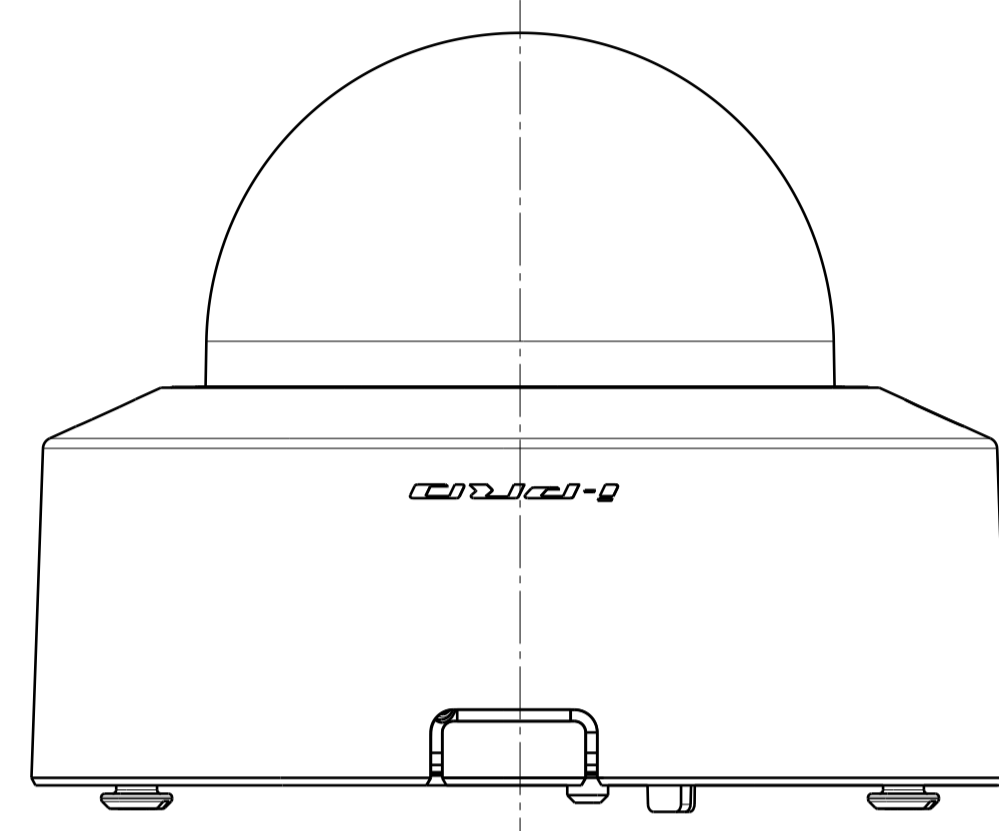
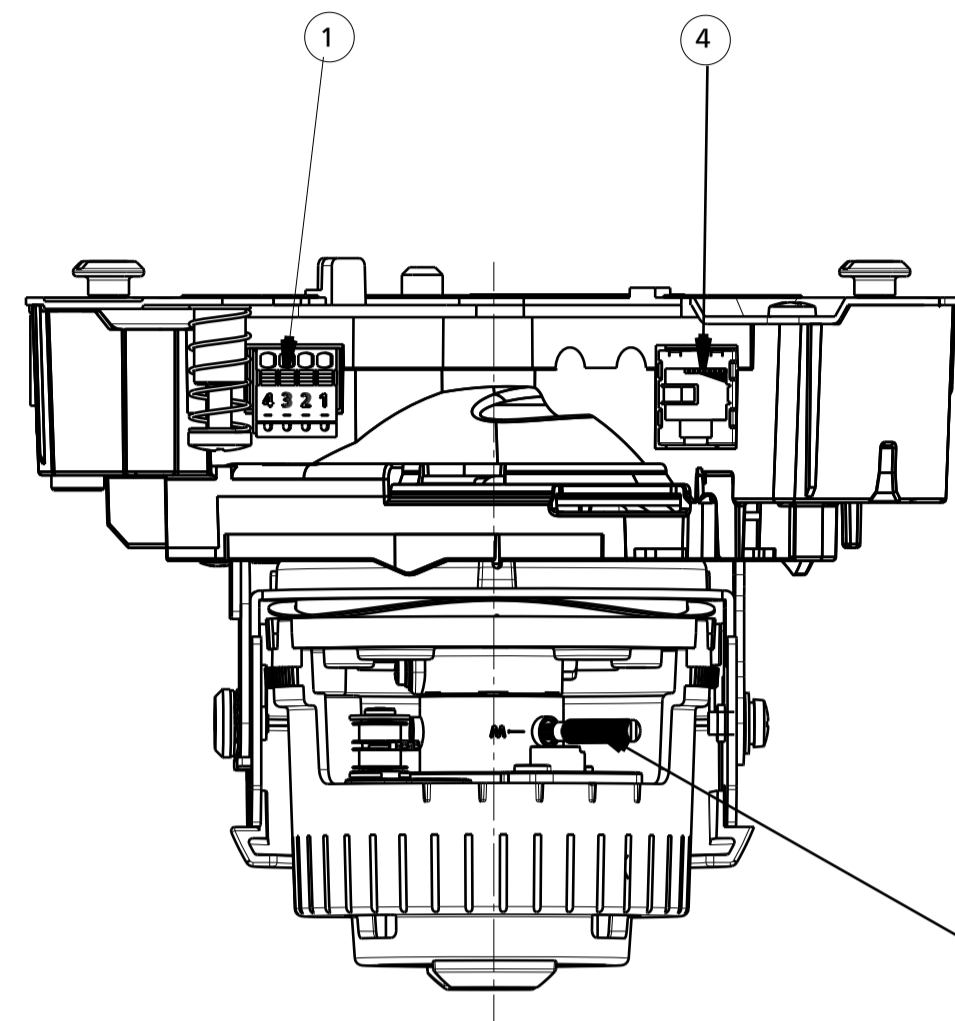


SYM.	DATE	REVISION	SIGNED	CHECKED
△				
△				
△				
NO.	Part Name	Material	Process	Remark
1	EXT I/O connector			
2	Empty			
3	Empty			
4	RJ45 connector			
5	ZOOM Knob			
6	Wall Fitting Screw	Stainless Steel		
7	Monitor Out Jack			
8	Lens Cover	PBT		
9	Inner Cover	PC		
10	PAL Swith Label	Polyester Film	Printing	
11	Initial Set Button			
12				
13	SD Mount LED			
14	SD Error/AF LED			
15	SD Slot			
16	ACT LED			
17	LINK LED			
18	AF Button			
19	Data Matrix Label	Polyester Film	Printing	
20	DC-12V Input Terminal Jack			
21	Support Wire	SUS304		
22	Mac Label			
23	Name Plate	Polyester Film	Printing	
24	Serial NO Label	Polyester Film	Printing	
25	Open Lock Label	Polyester Film	Printing	
26	Enclosure	ADC12	Coating (Sail white)	
27	Clear Dome Cover	PC	With a Protection Film	
28	Attachment Plate	SUS304		
29	Top_cover Lock Screw	Stainless Steel		



View A

With Attachment Plate

With Attachment Plate

Unit:mm

WV-SFR310A