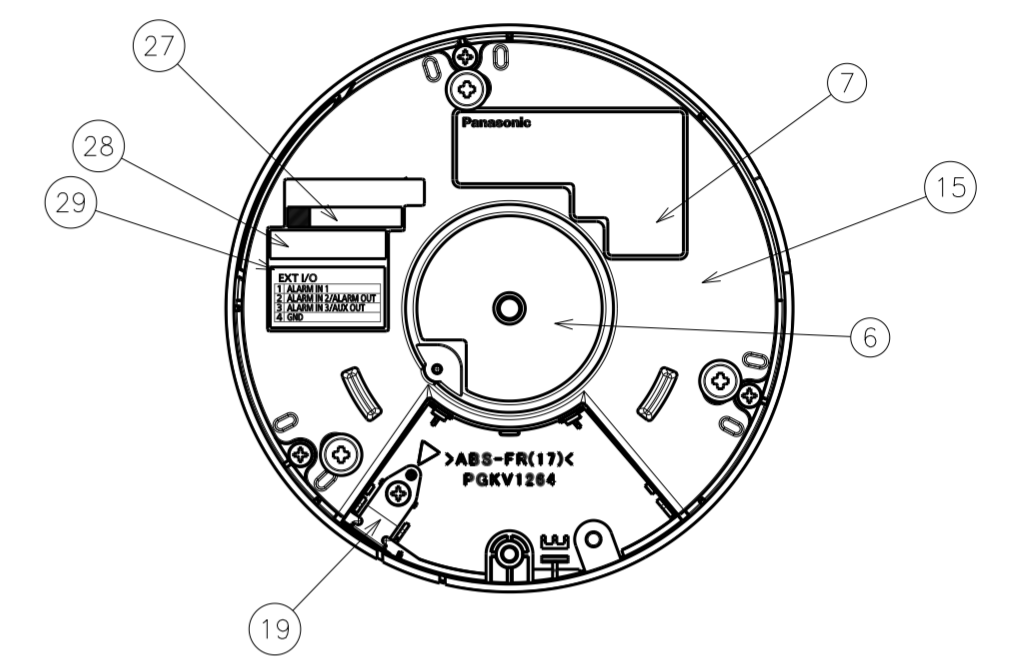
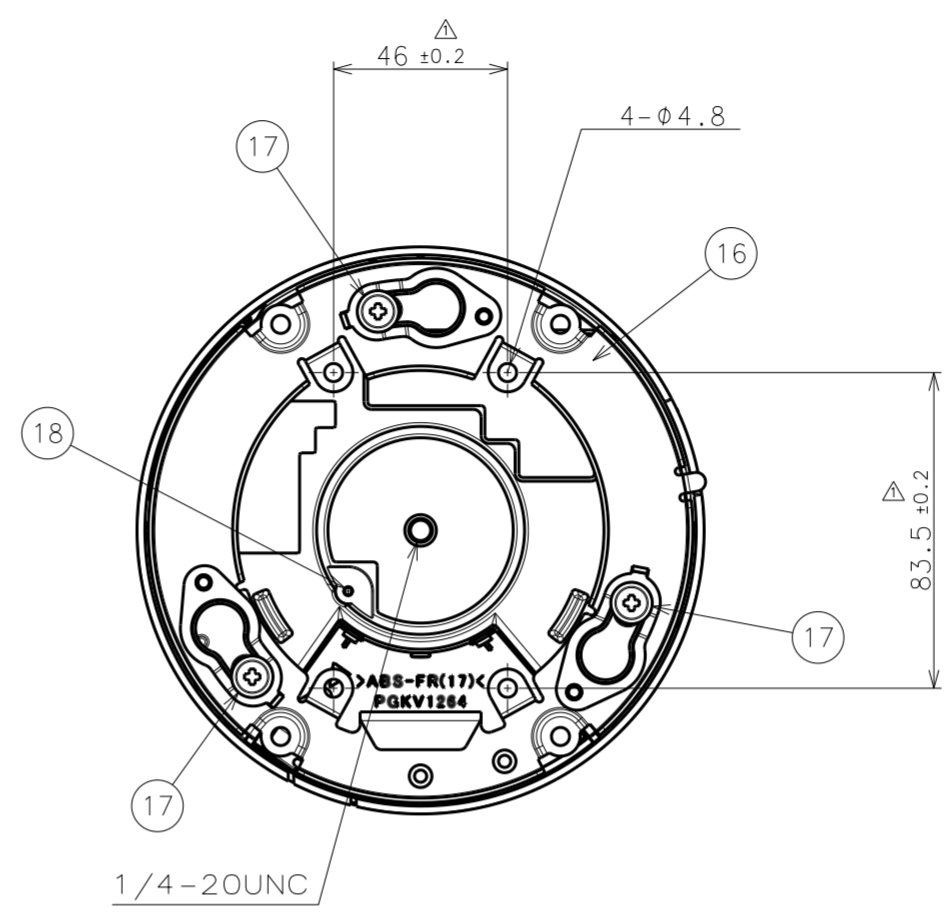
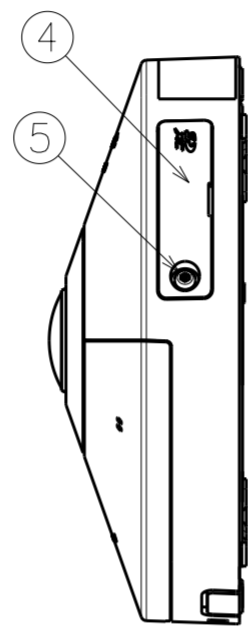
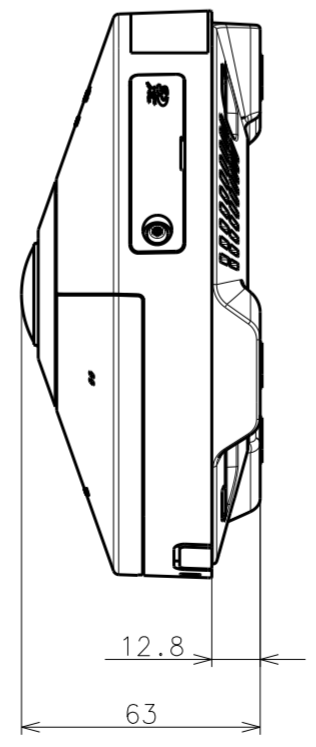


Inside of SD-slot cover

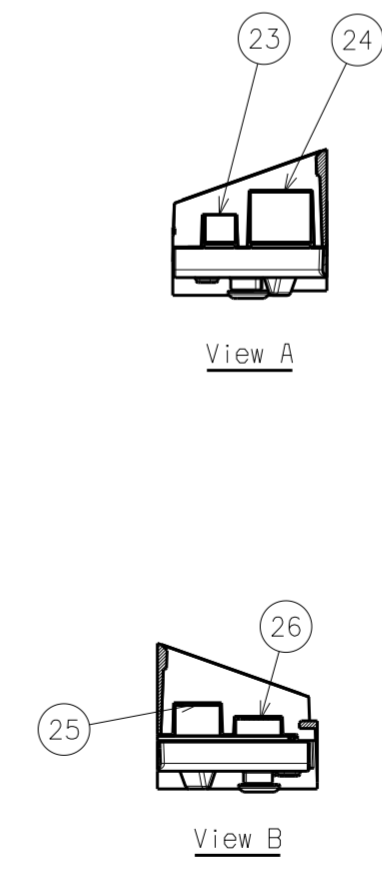
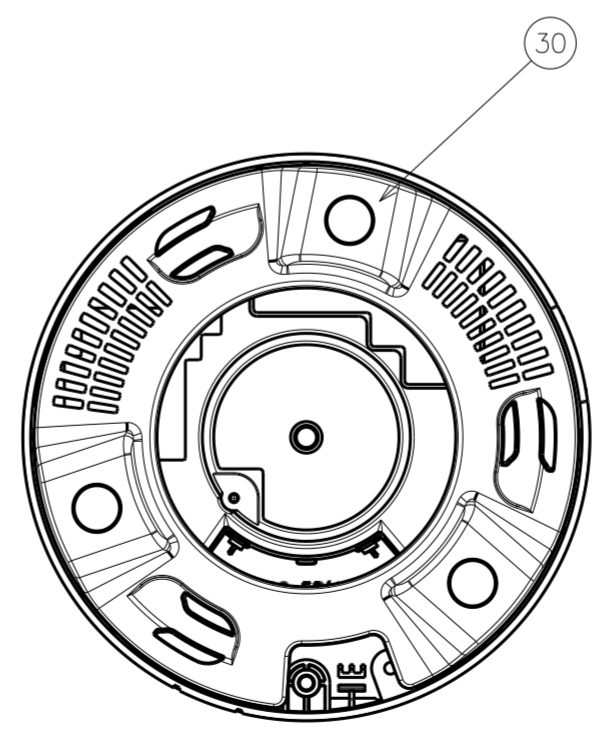


Without Attachment Plate

No.	Part Name	QTY	MATERIAL & SIZE	TREATMENT	REMARK
35	Product Year Label	1	Polyester Film	Printing	-
34	VCCI Label	1	Polyester Film	Printing	-
33	FCC ICES-3A Label	1	Polyester Film	Printing	-
32	Data Matrix Label	1	Polyester Film	Printing	-
31	IMAGE ROTATION LABEL	1	Polyester Film	Printing	-
30	Desktop Cover	1	PC resin	-	-
29	ALARM LABEL	1	Polyester Film	Printing	-
28	CODE LABEL	1	Polyester Film	Printing	-
27	Serial No.	1	Polyester Film	Printing	-
26	Audio Cable Connector	1	-	-	-
25	External I/O Terminals	1	-	-	-
24	Network Connector (RJ45)	1	-	-	-
23	12V DC Power Supply Terminal	1	-	-	-
22	Alarm Label	2	-	-	-
21	Built In Microphone	1	-	-	-
20	Camera Lock Screw	1	Stainless Steel	-	-
19	Sub Cover Sheet	1	PC Resin Film	-	-
18	Screw Hole For Safety Wire Lug (M2.5)	1	-	-	-
17	Camera Mount Screw	3	Stainless Steel	-	-
16	Attachment Plate	1	Stainless Steel	-	-
15	Lower Case	1	Aluminium Alloy Diecasting	-	-
14	INITIAL SET button	1	-	-	-
13	Access LED (ACT)	1	-	-	-
12	Link LED (LINK)	1	-	-	-
11	SD ERROR/ABF LED	1	-	-	-
10	SD MOUNT LED	1	-	-	-
9	SD ON/OFF button	1	-	-	-
8	SD memory card slot	1	-	-	-
7	Name Label	1	Polyester Film	Printing	-
6	High-Temp.Caution_Label	1	Polyester Film	Printing	-
5	SD CARD Cover Lock Screw	1	Steel	-	-
4	SD CARD Cover	1	ABS resin	-	-
3	Upper Case Sub Cover	1	ABS resin	Printing	-
2	Upper Case	1	ABS resin	Printing	-
1	Lens	1	-	-	-

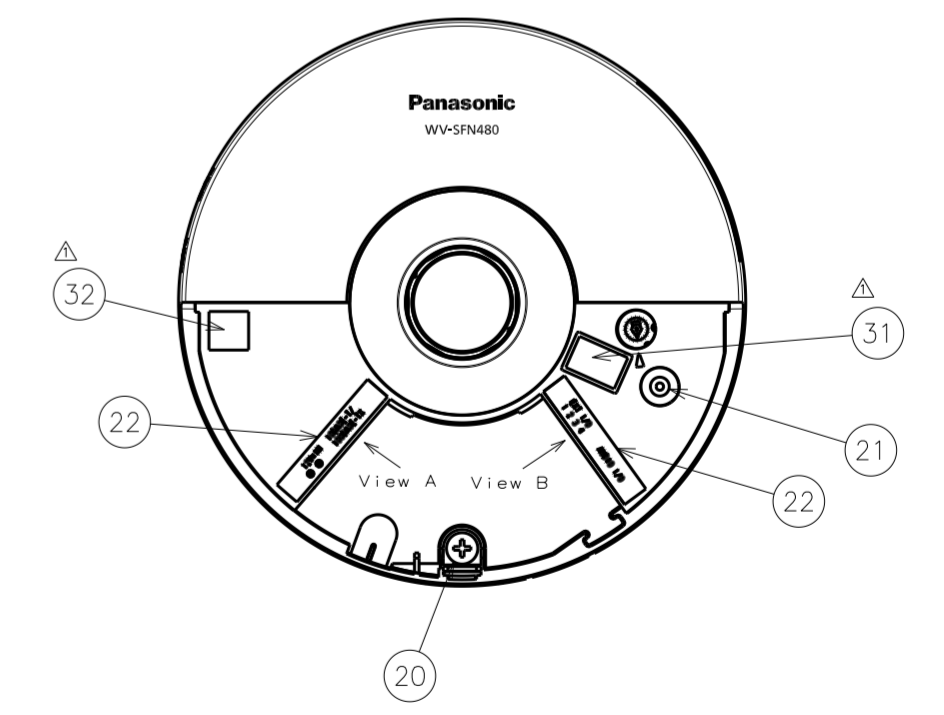


With the Desktop Cover



View A

View B



Without Upper Case Sub Cover

Unit:mm

# WV-SFN480