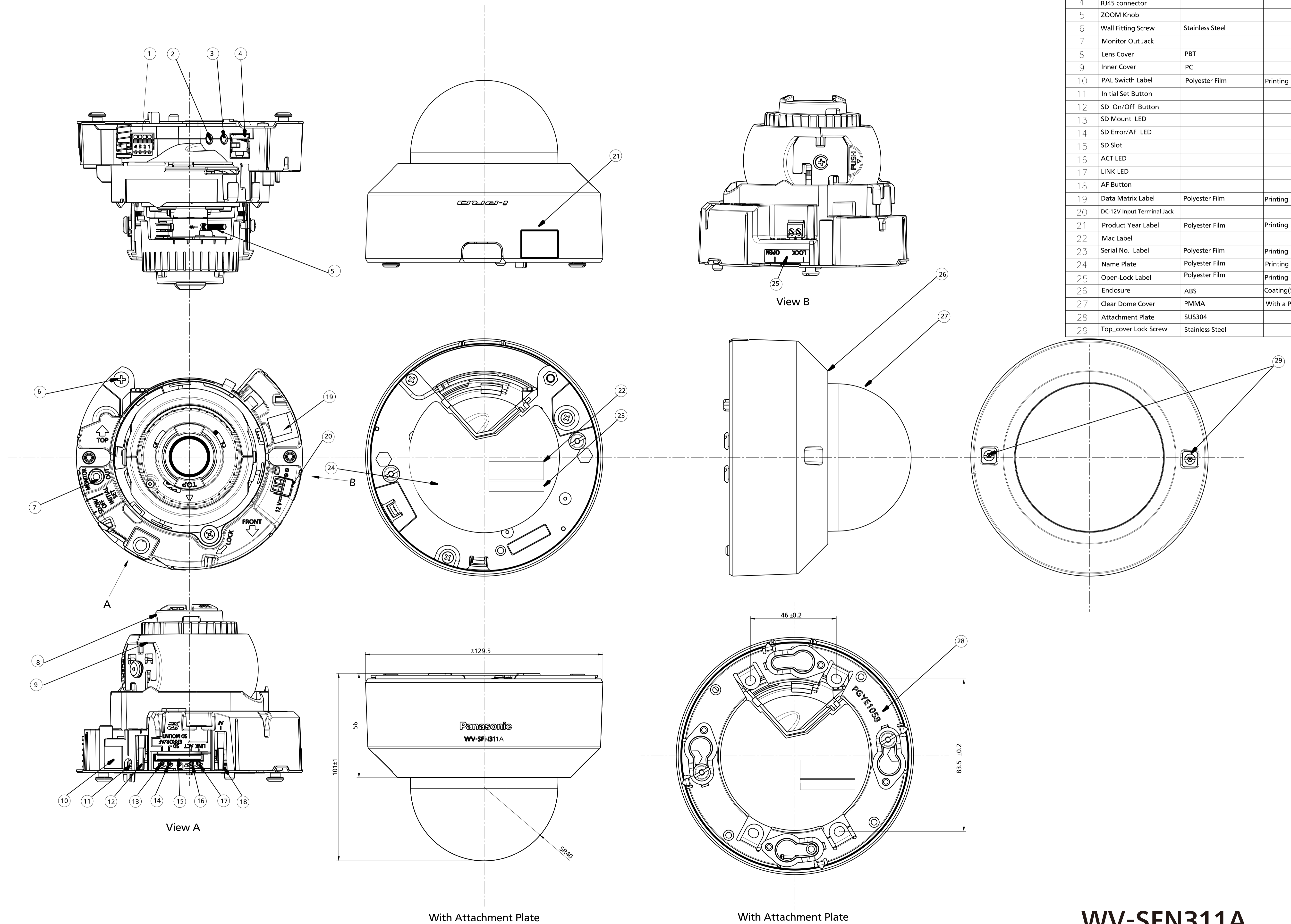


NO.	Part Name	Material	Process/Remark
1	EXT I/O connector		
2	Mic/Line IN Jack		
3	Audio/Monitor OUT Jack		
4	RJ45 connector		
5	ZOOM Knob		
6	Wall Fitting Screw	Stainless Steel	
7	Monitor Out Jack		
8	Lens Cover	PBT	
9	Inner Cover	PC	
10	PAL Switich Label	Polyester Film	Printing
11	Initial Set Button		
12	SD On/Off Button		
13	SD Mount LED		
14	SD Error/AF LED		
15	SD Slot		
16	ACT LED		
17	LINK LED		
18	AF Button		
19	Data Matrix Label	Polyester Film	Printing
20	DC-12V Input Terminal Jack		
21	Product Year Label	Polyester Film	Printing
22	Mac Label		
23	Serial No. Label	Polyester Film	Printing
24	Name Plate	Polyester Film	Printing
25	Open-Lock Label	Polyester Film	Printing
26	Enclosure	ABS	Coating(Sail white)
27	Clear Dome Cover	PMMA	With a Protection Film
28	Attachment Plate	SUS304	
29	Top_cover Lock Screw	Stainless Steel	



Unit:mm

WV-SFN311A