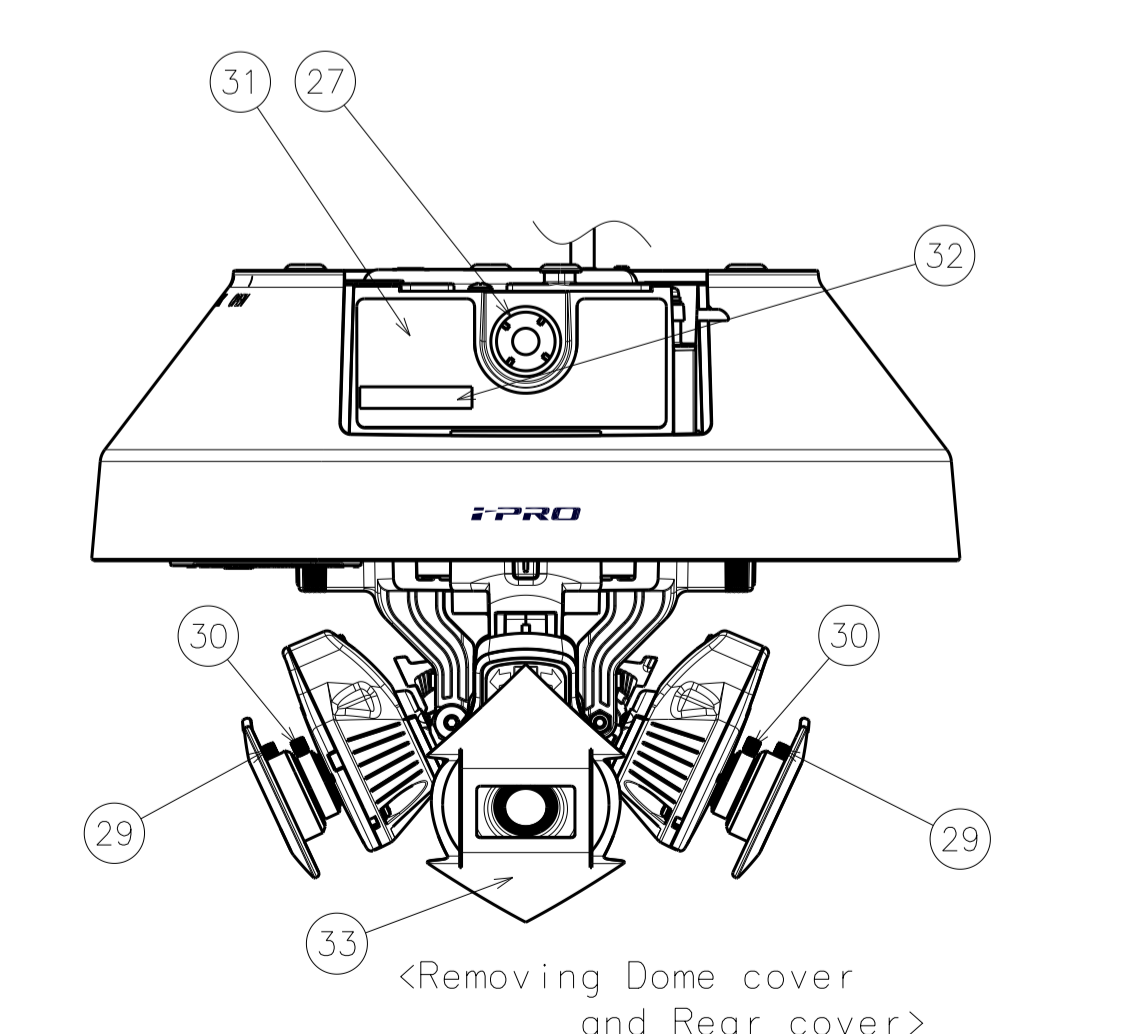
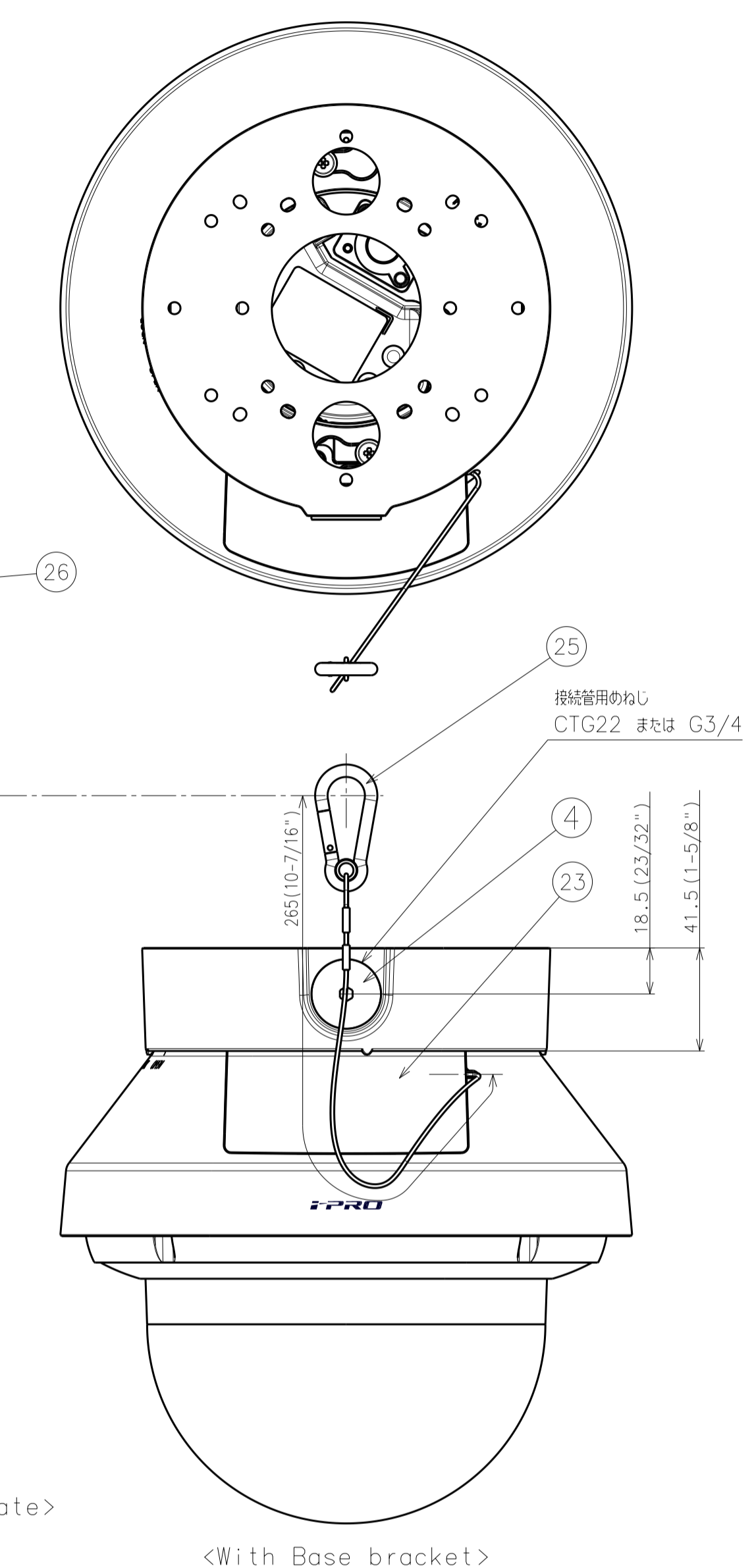
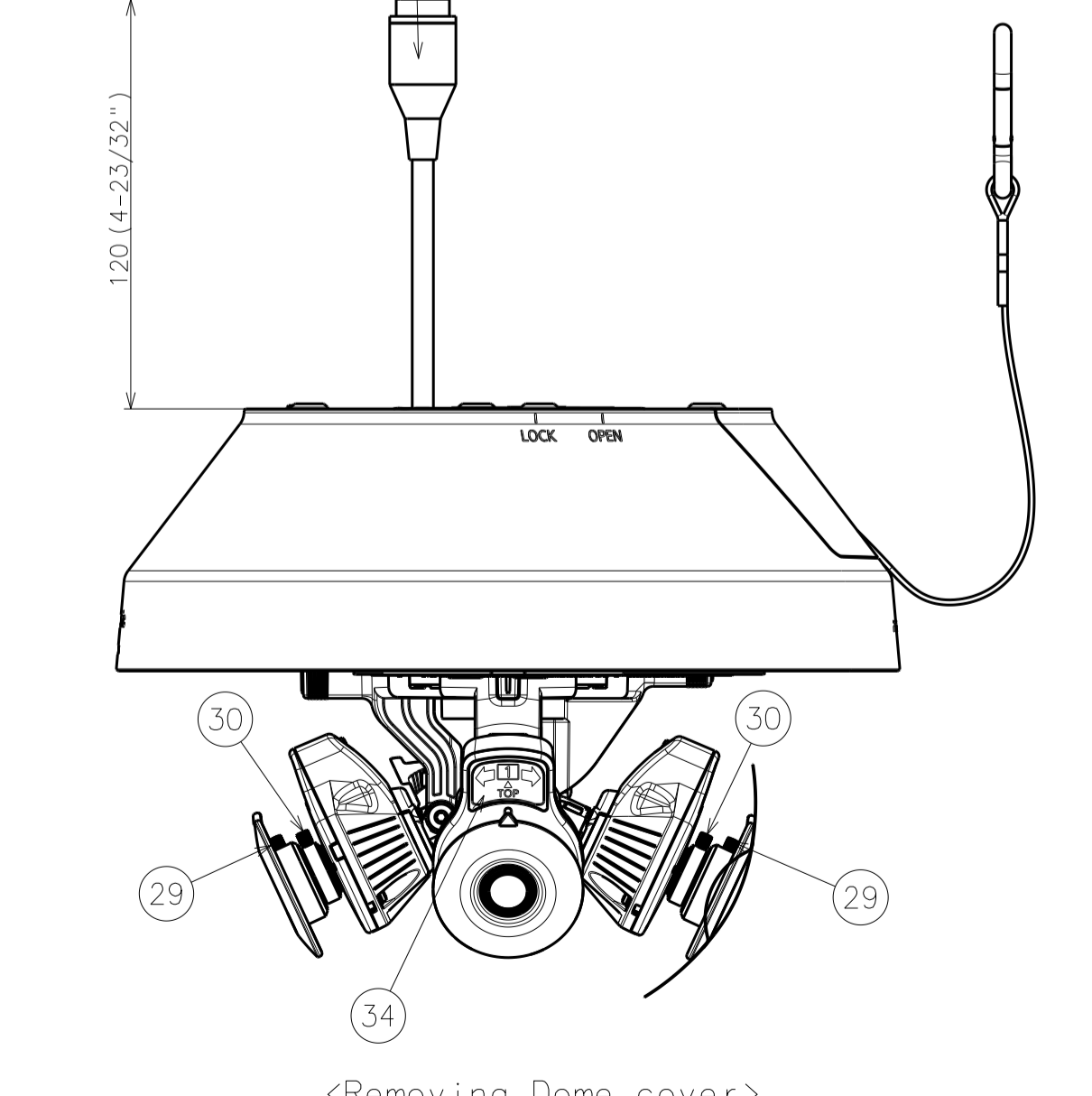
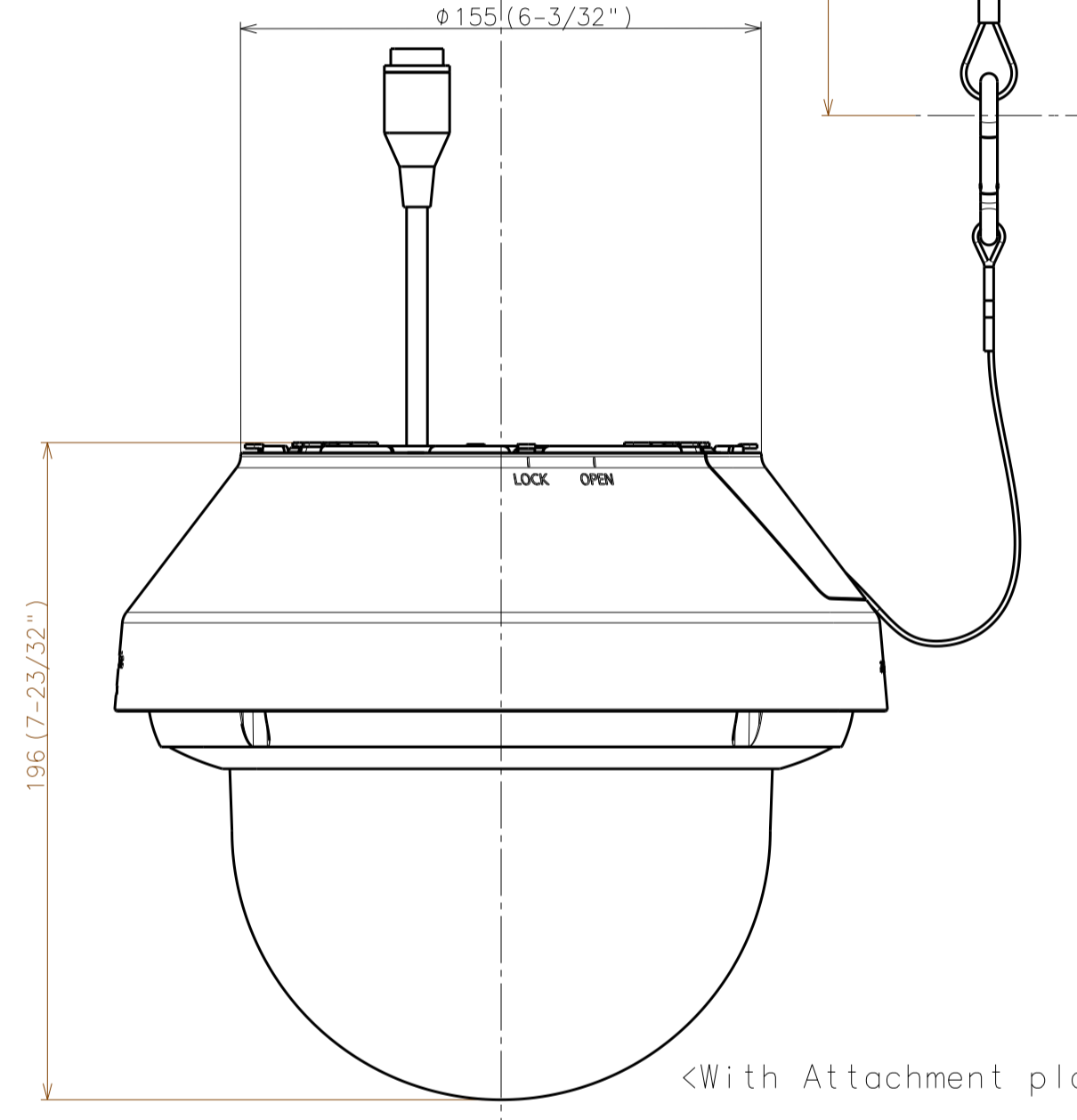
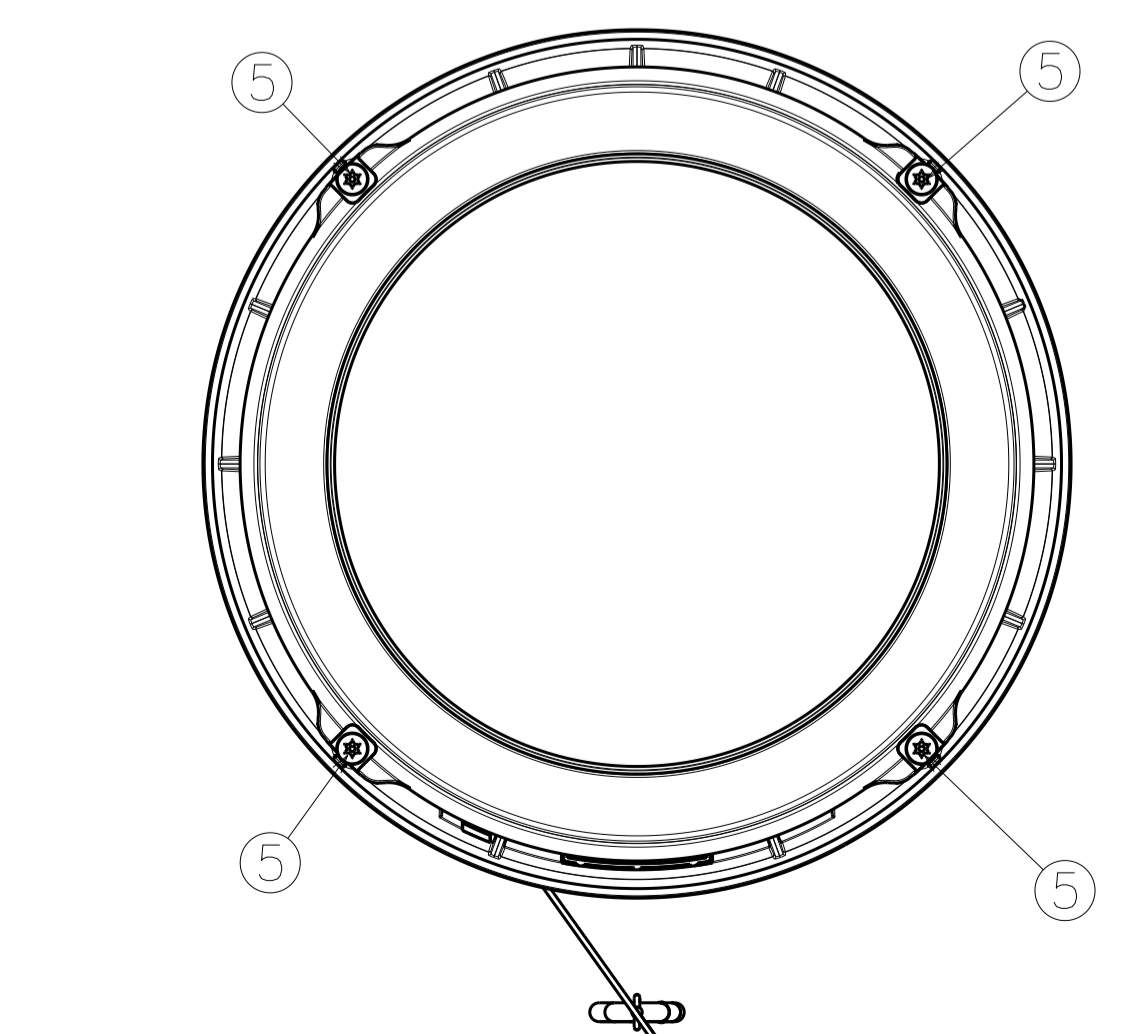
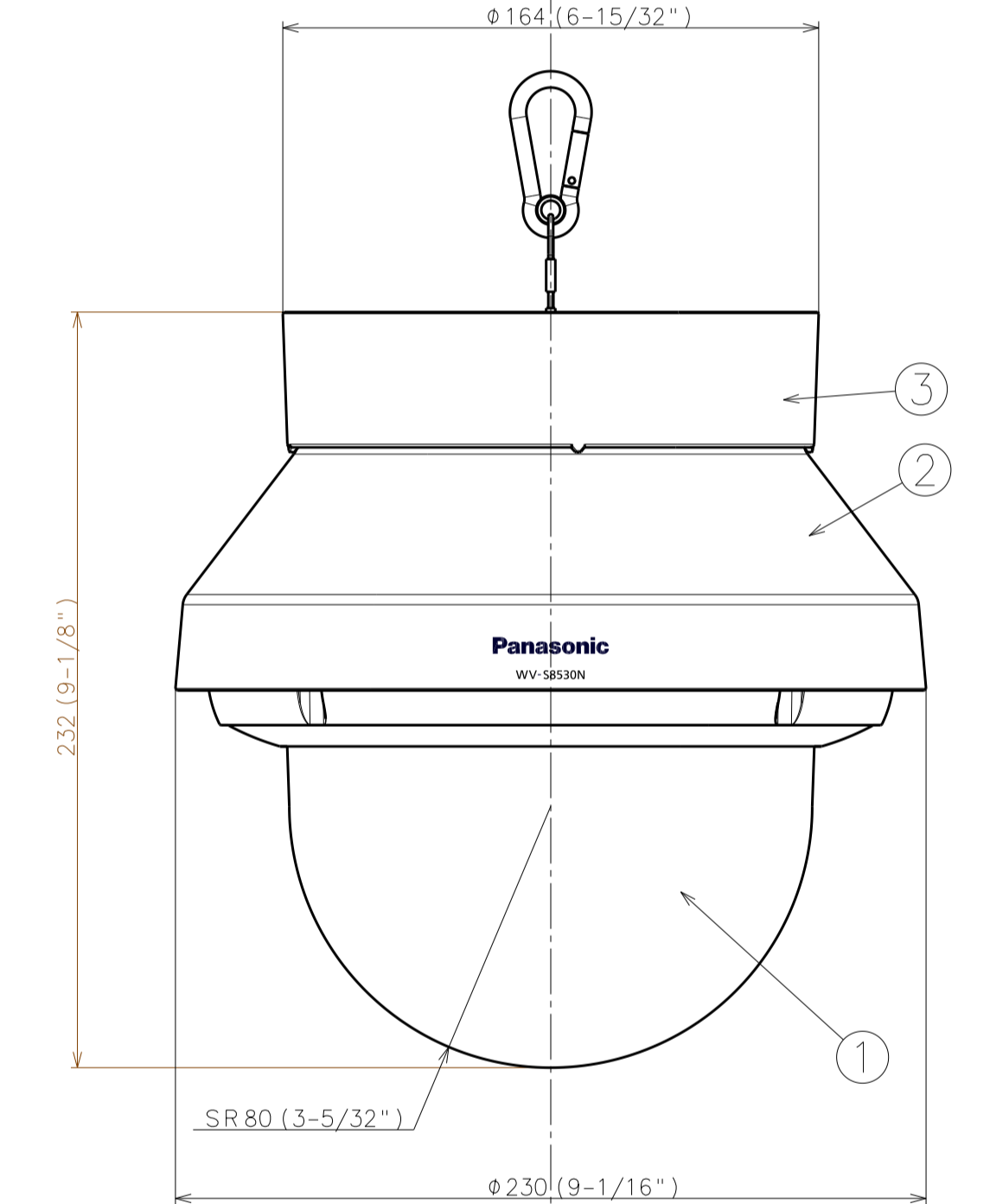
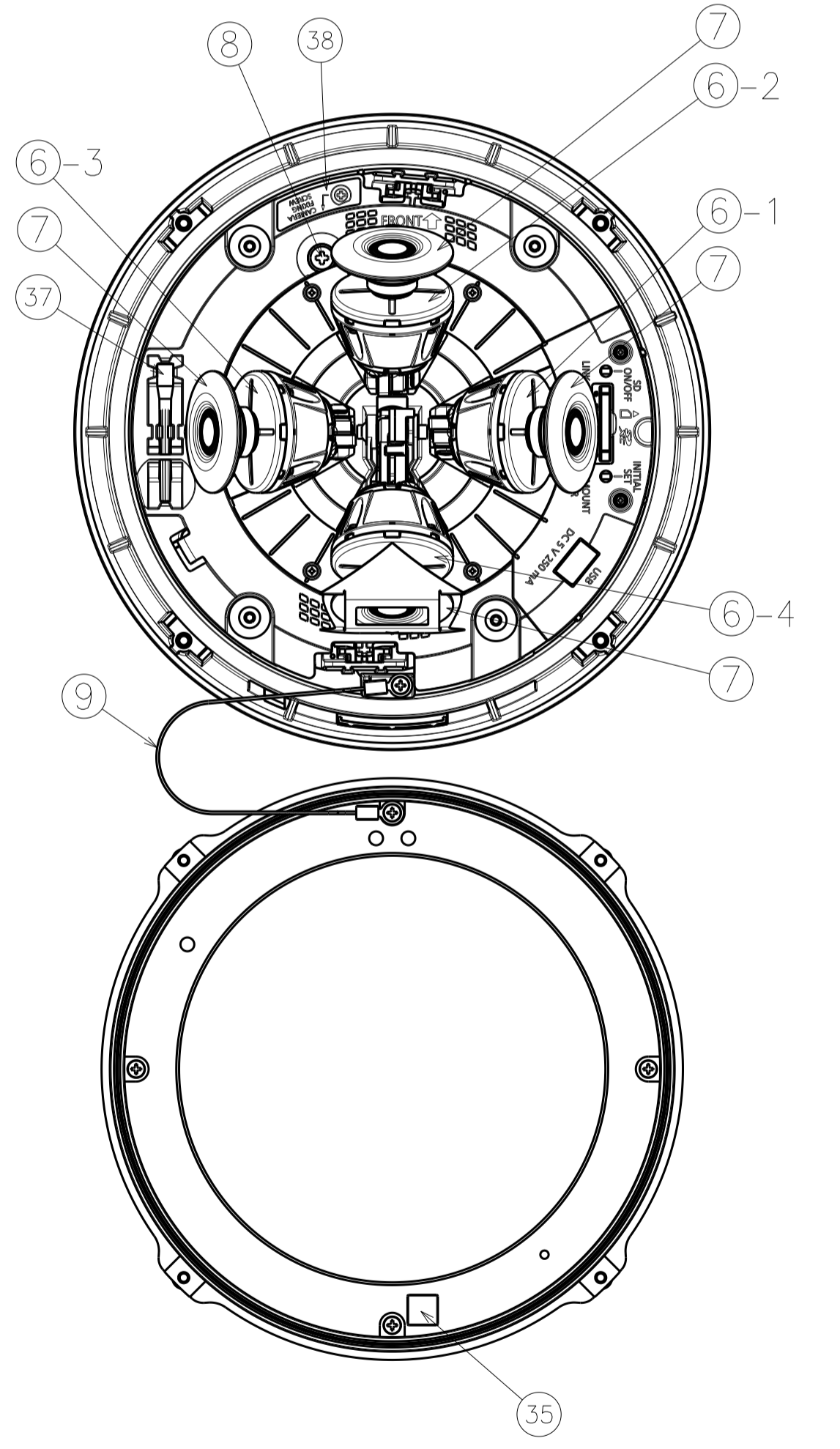
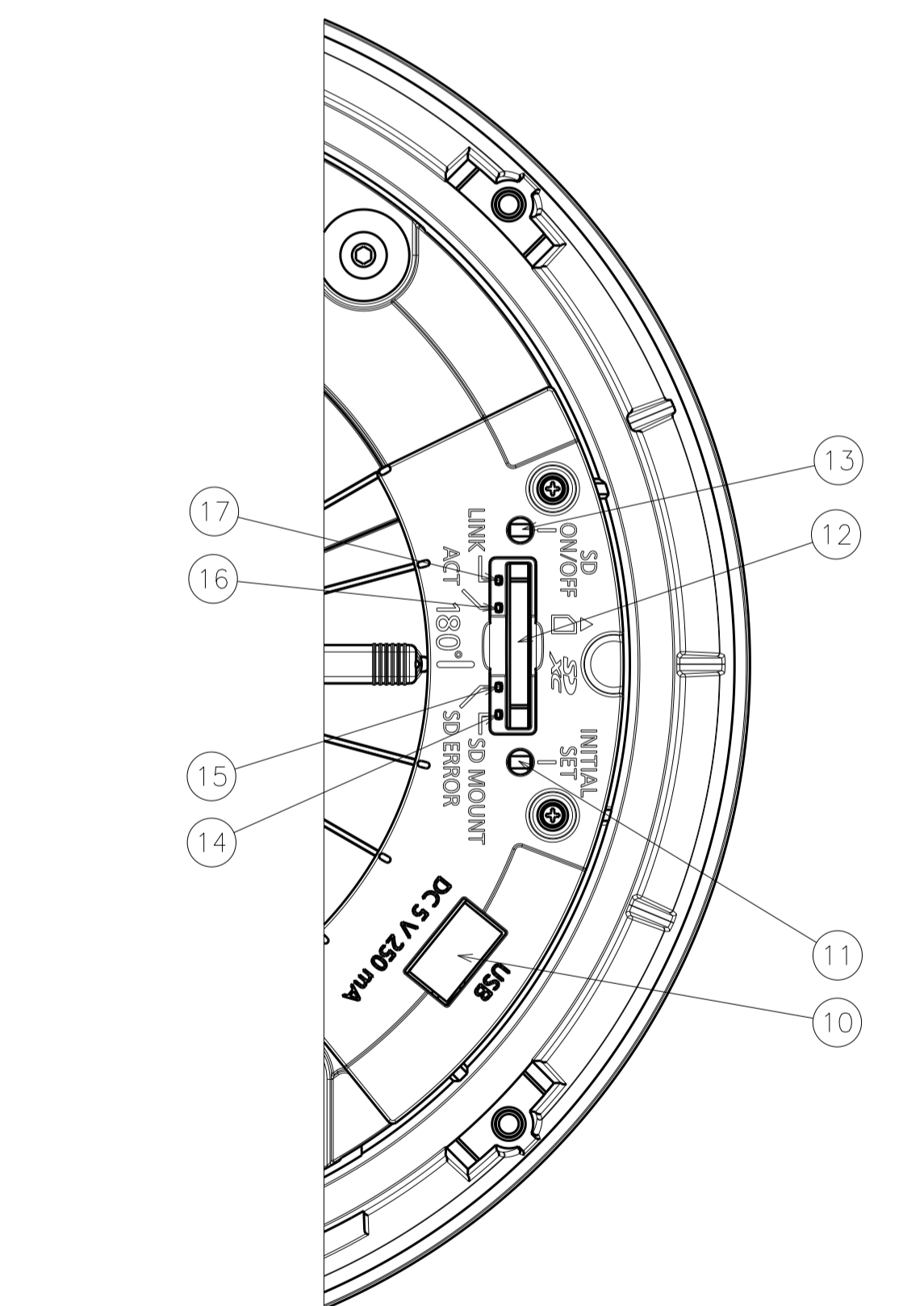
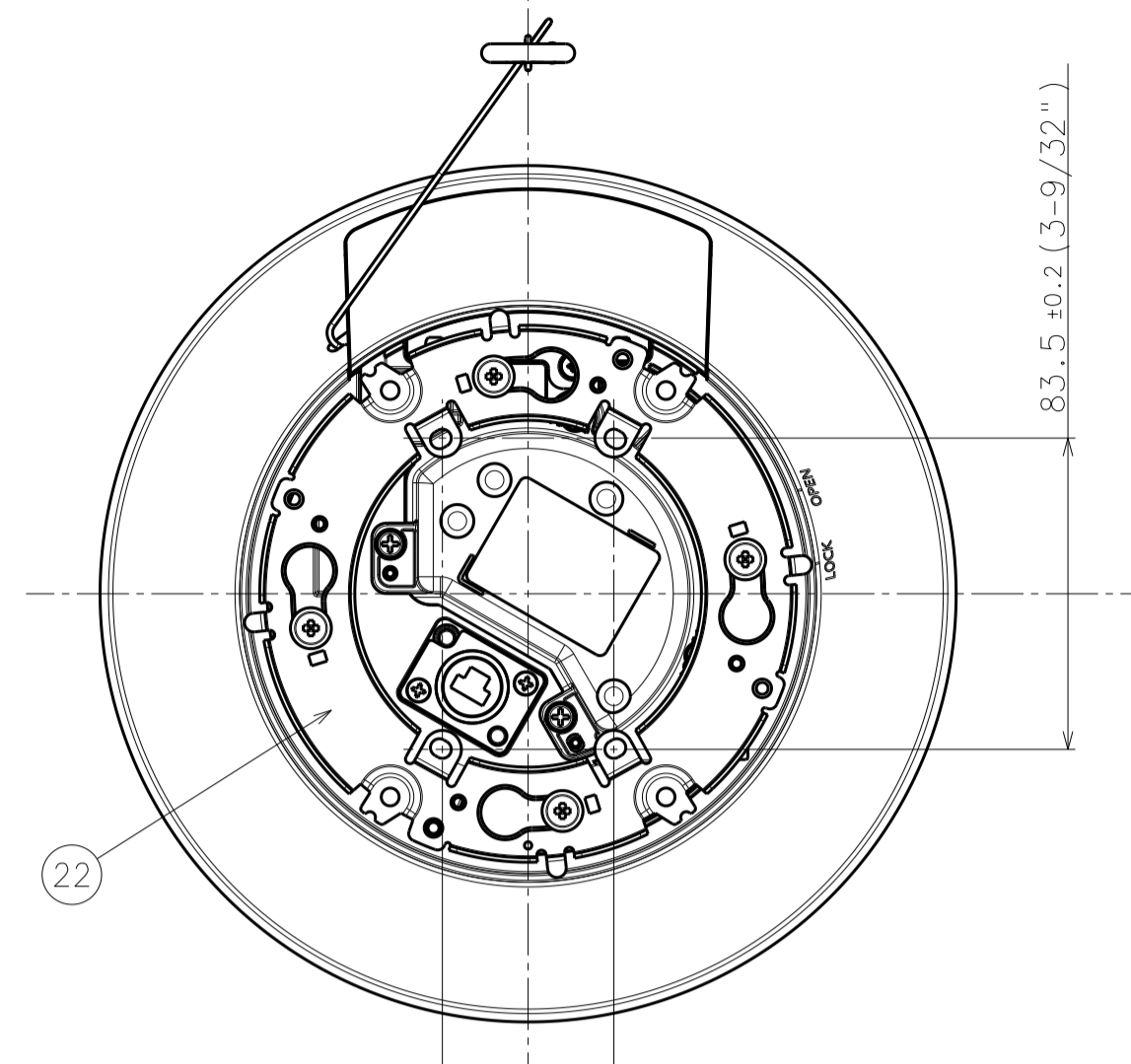
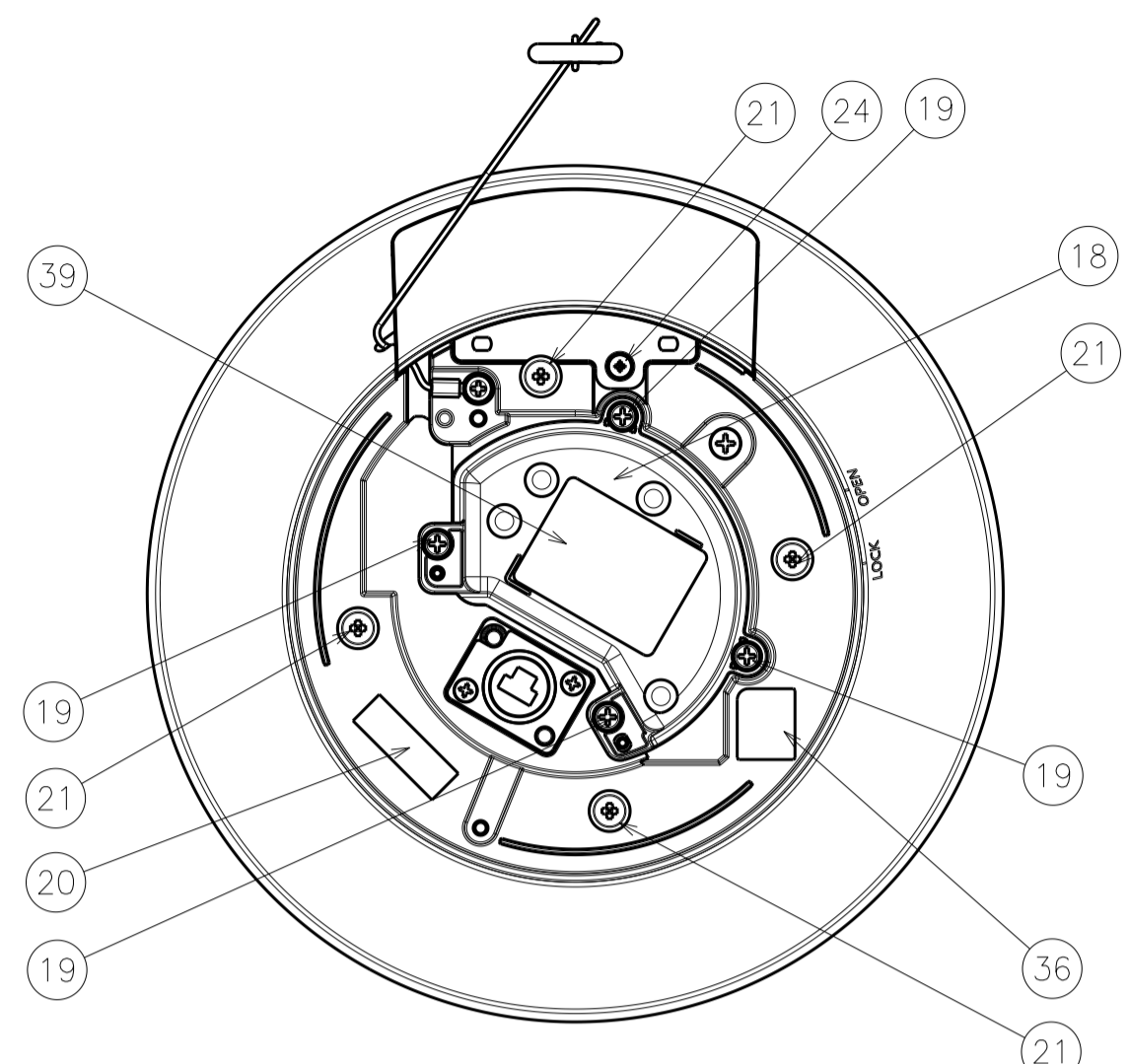
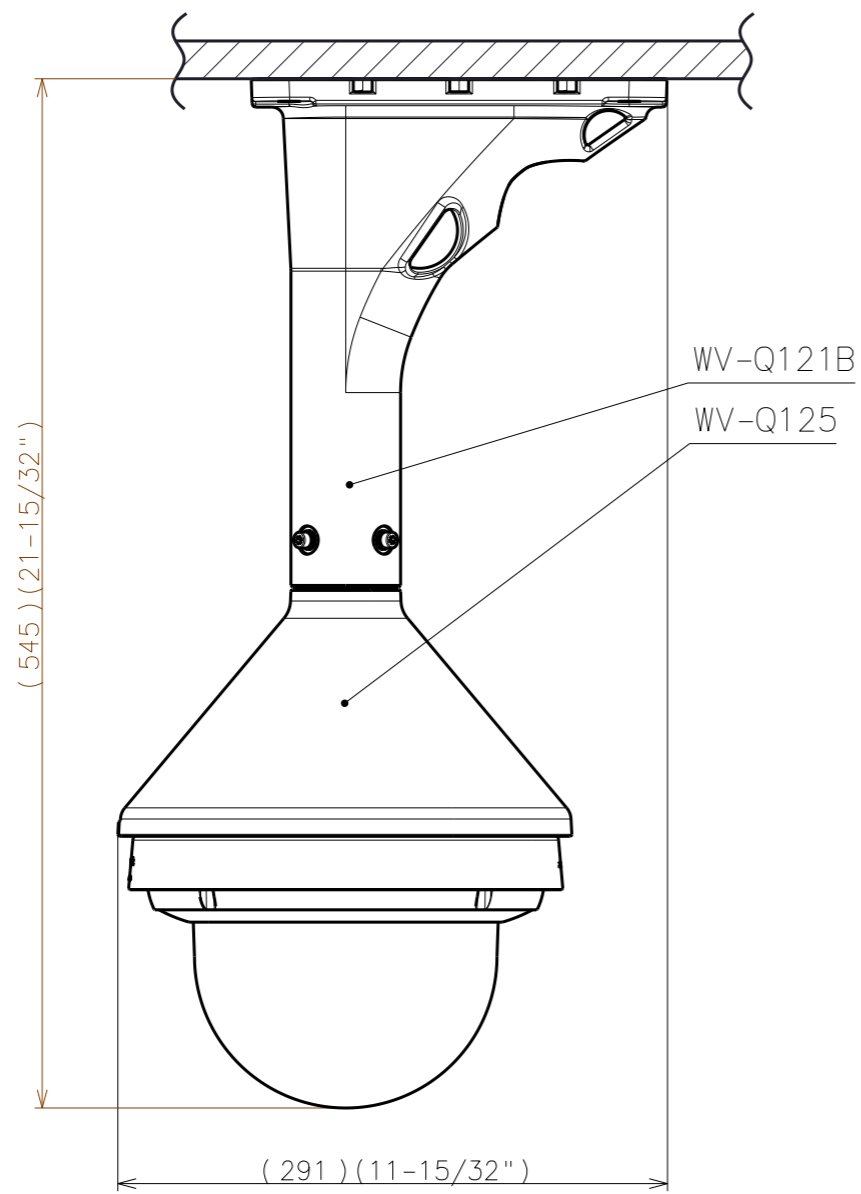


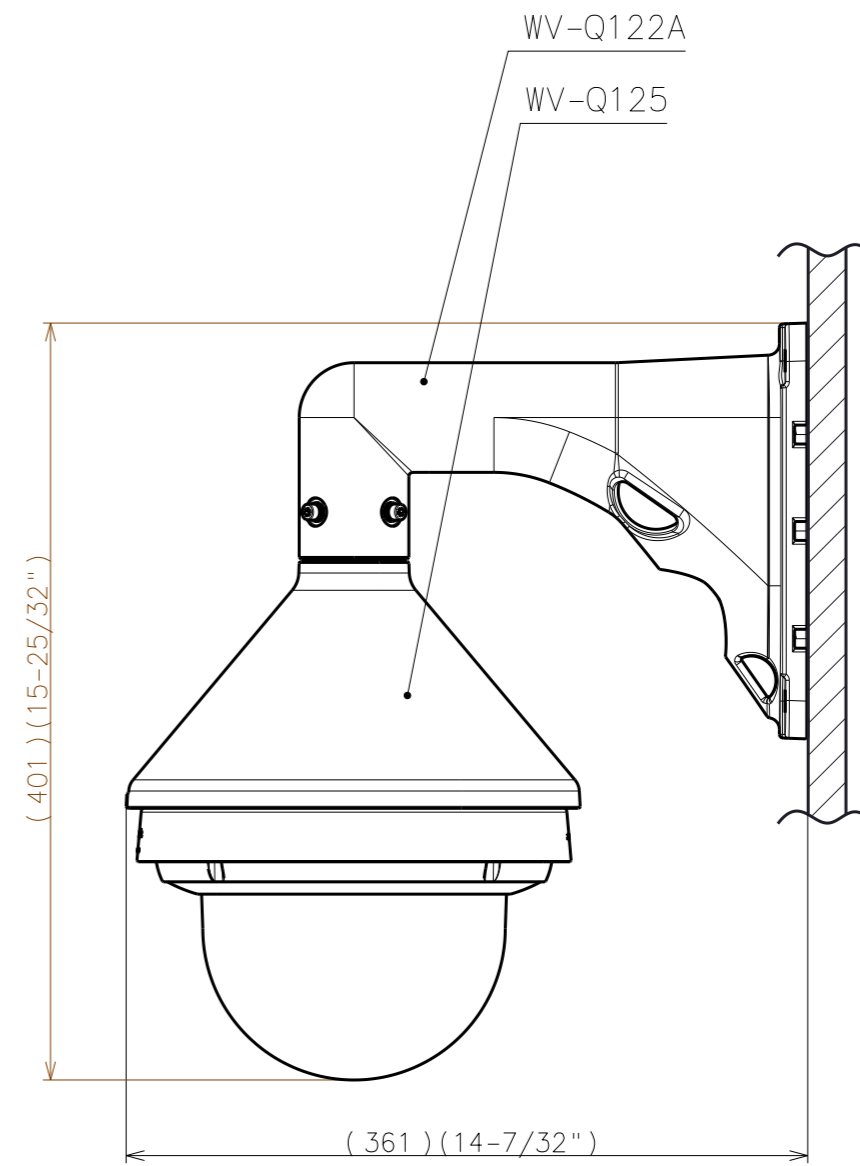
| No. | 品名 | Part Name | Material | Process/Remark |
|-----|----------------|---|--------------------|-------------------------------|
| 1 | ドームカバー | Dome cover | PC(Clear) | ClearSight coating |
| 2 | 下カバー | Lower cover | Aluminium die cast | Coating (Light Gray)・Printing |
| 3 | ベース金具 | Base bracket | Aluminium die cast | Coating (Light Gray) |
| 4 | 接続管用めねじ | Cap for the female thread for the conduit | PA | Coating (Light Gray) |
| 5 | ドームカバー固定ねじ | Dome cover fixing screw | Stainless Steel | Corrosion-resistant treatment |
| 6-1 | カメラユニット 1 | Camera unit 1 | | |
| 6-2 | カメラユニット 2 | Camera unit 2 | | |
| 6-3 | カメラユニット 3 | Camera unit 3 | | |
| 6-4 | カメラユニット 4 | Camera unit 4 | | |
| 7 | 遮光ゴム | Light-blocking rubber ring | Silicone rubber | |
| 8 | カメラ固定ねじ | Camera fixing screw | Stainless Steel | Corrosion-resistant treatment |
| 9 | 設置補助ワイヤー | Auxiliary wire | Stainless Steel | |
| 10 | USB端子 | USB terminal | | |
| 11 | INITIAL SETボタン | INITIAL SET button | | |
| 12 | SDスロット | SD slot | | |
| 13 | SD ON/OFFボタン | SD ON/OFF button | | |
| 14 | SD MOUNTランプ | SD MOUNT indicator | | |
| 15 | SD ERRORランプ | SD ERROR indicator | | |
| 16 | ACTランプ | ACT indicator | | |
| 17 | LINKランプ | LINK indicator | | |
| 18 | ケーブルカバー | Cable cover | PC | Black |
| 19 | ケーブルカバー固定ねじ | Cable cover fixing screw | Stainless Steel | Corrosion-resistant treatment |
| 20 | コードラベル | Code label | Polyester Film | Printing |
| 21 | アタッチメント取付ねじ | Attachment mounting screw | Stainless Steel | Corrosion-resistant treatment |
| 22 | アタッチメント金具 | Attachment plate | Stainless Steel | |
| 23 | リアカバー | Rear cover | PC+ABS | Coating (Light Gray) |
| 24 | リアカバー固定ねじ | Rear cover fixing screw | Stainless Steel | Corrosion-resistant treatment |
| 25 | 落下防止ワイヤー | Safety wire | Stainless Steel | |
| 26 | 延長落下防止ワイヤー | Extended safety wire | Stainless Steel | |
| 27 | 除湿素子 | Dehumidifying device | | |
| 28 | RJ45ネットワークケーブル | RJ45 Network cable | | |
| 29 | フォーカスロックつまみ | Focus lock knob | | |
| 30 | ズームロックつまみ | Zoom lock knob | | |
| 31 | 名称板 | Name plate | Polyester Film | Printing |
| 32 | シリアルNo.ラベル | Serial number label | Polyester Film | Printing |
| 33 | アイキャッチ紙 | Eye-catching paper | Polyester Film | Printing |
| 34 | カメラNo.ラベル | Camera number label | Polyester Film | Printing |
| 35 | データマトリクスラベル | Data Matrix label | Polyester Film | Printing |
| 36 | FCCラベル | FCC label | Polyester Film | Printing |
| 37 | 補助ハンドル | Auxiliary handle | PC | Black |
| 38 | 取扱ラベル | Instruction label | Polyester Film | Printing |
| 39 | 警告ラベル | Instruction label | Polyester Film | Printing |



| | 投影面積/Projected area | |
|----------------|----------------------|------------------------|
| | (With Base bracket) | (Without Base bracket) |
| 正面図/Front-view | 0.038 m ² | 0.032 m ² |
| 側面図/Side-view | | |
| 平面図/Top-view | 0.041 m ² | |



<With WV-Q121B and WV-Q125>



<With WV-Q122A and WV-Q125>

| | 投影面積/Projected area | |
|----------------|---------------------------|---------------------------|
| | With WV-Q121B and WV-Q125 | With WV-Q122A and WV-Q125 |
| 正面図/Front-view | 0.059 m ² | 0.059 m ² |
| 側面図/Side-view | 0.067 m ² | 0.070 m ² |

WV-S8530N(WV-S8530NUYS)