

## iA(intelligent Auto) H.265 PTZ Camera

The WV-S6130 captures the highest quality images automatically even in very challenging and fast-changing surveillance environments. Intelligent Auto (iA) monitors scene dynamics and motion to adjust key camera settings automatically in real-time reducing distortion such as motion blur on moving objects. New industry-leading 144dB dynamic range delivers balanced scene exposure in dynamic and extreme-backlit lighting environments. In addition, color night vision provides outstanding low-light performance with accurate color rendition and saturation from i-Pro's 1/3" sensor, rivaling the performance of costlier 1/2" sensor cameras in the market. Adopting H.265 Smart Coding technology, intelligently reduces bandwidth efficiency of up to 95%\* over H.264 for longer recording and less storage. Cameras out-of-the-box, use an encryption module standardized by FIPS Publication 140-2 for secure video streaming. \*Value in Advanced mode. It depends on the scene.

### Extreme image quality for evidence capturing under challenging conditions

- Sharp and clear image of moving objects with Intelligent Auto
- Outstanding low light performance in true color with low noise for night time applications
- Super Dynamic 144dB for backlit situation by headlights and shadows on the streets at night
- Long life Pan/Tilt gear mechanism

### Extreme bandwidth compression with new H.265 Smart Coding

- Longer recording, less storage compared to H.264 based compression techniques
- New self-learning ROI\* encoding (Auto VIQS) dynamically detect motion areas to keep vehicles and human in good picture quality while lowering your bandwidth \*Region of Interest

### Extreme Data Security

- Full encryption SD card edge recording to keep your data safe
- FIPS140-2 CAVP compliant \*Using encryption module standardized by FIPS publication 140-2
- Full end-to-end system encryption with supported VMS and devices to protect from IP snooping/spoofing and detect data alteration

### Key Features

- Full-HD 1920x1080 60fps
- Durable Pan/Tilt gear mechanism
- iA (intelligent Auto)
- Extreme Super Dynamic 144dB
- Color night vision (0.001 to 0.015 lx)
- i-VMD License Bundled

### Industry examples

- Retail
- Bank
- Hospital
- Building



## Specifications

<b>Camera</b>	Image Sensor	Approx. 1/2.9 type MOS image sensor
	Minimum Illumination	Color : 0.015 lx, BW : 0.006 lx (F1.6, Maximum shutter : Off (1/30 s), AGC : 11) Color : 0.001 lx, BW : 0.0004 lx (F1.6, Maximum shutter : max. 16/30s, AGC : 11) *1
	Intelligent Auto	On / Off
	Shutter Speed	1/30 Fix to 1/10000 Fix *1/30 Fix to 2/120 Fix is available during 30 fps mode only. *1/60 Fix is available during 60 fps mode only.
	Super Dynamic <sup>2</sup>	On / Off, the level can be set in the range of 0 to 31.
	Dynamic Range	144 dB (Super Dynamic : On)
	Image Settings	Gain (AGC), White balance
	Image Compensation	Adaptive black stretch, Back light compensation (BLC), Fog compensation, High light compensation (HLC), Digital noise reduction
	Color/BW (ICR)	Off / On / Auto1 (Normal) / Auto2 (IR Light) / Auto3 (SCC)
	Video Motion Detection (VMD)	On / Off, 4 areas available
	Intelligent VMD (i-VMD) *3	Type 4 *Bundled License
	Stabilizer <sup>3</sup>	On / Off (available only in the 30 fps mode)
	Privacy Zone	Filling / Pixelate / Off (up to 32 zones available)
	Camera Title (OSD)	On / Off / Up to 20 characters (alphanumeric characters, marks)
<b>Lens</b>	Zoom Ratio	21x Optical 31x HD Extra Optical Zoom (when resolution is 1280x720)
	Digital (electronic) zoom	16x
	Focal length	4.0 mm – 84.6 mm [5/32 inches – 3 - 11/32 inches]
	Maximum Aperture Ratio	1 : 1.6 (WIDE) – 1 : 4.5 (TELE)
	Focus range	1.5 m [4ft 11 - 1/16 inches] – ∞
	Angular Field of view	[16 : 9 mode] Horizontal : 3.5 ° (TELE) – 74 ° (WIDE) Vertical : 2.0 ° (TELE) – 42 ° (WIDE) [4 : 3 mode] Horizontal : 3.0 ° (TELE) – 61 ° (WIDE) Vertical : 2.3 ° (TELE) – 46 ° (WIDE)
<b>Pan/tilt</b>	Panning Range	0° – 350°
	Panning Speed	Manual : Approx. 0.5°/s – 100°/s Preset : Up to approx. 300°/s
	Tilting Range	Operational range: -30° – 90° (level – downward)
	Tilting Speed	Manual : Approx. 0.5°/s – 100°/s Preset : Up to approx. 100°/s
	Preset Positions	256 positions
	Auto Mode	Auto track <sup>3</sup> / Auto pan/ Preset sequence/ Patrol
<b>Browser GUI</b>	Camera Control	Pan/Tilt, Zoom, Focus, Auto mode, Brightness, Preset, AUX, Rec. on SD, Log, Viewer software
	Audio	Mic (Line) Input : On / Off Volume adjustment : Low / Middle / High Audio Output : On / Off Volume adjustment : Low / Middle / High
	GUI / Setup Menu Language	English, Italian, French, German, Spanish, Portuguese, Russian, Chinese, Japanese
<b>Network</b>	Network IF	10 Base-T / 100 Base-TX, RJ45 connector
	Resolution	<b>*2 mega pixel [16 : 9] (30/60 fps)</b> 1920x1080 / 1280x720 / 640x360 / 320x180
	H.265/ H.264 JPEG (MJPEG)	<b>*3 mega pixel [4 : 3] (30 fps)</b> 2048x1536 / 1280x960 / 800x600 / VGA / 400x300 / QVGA *Used by super resolution techniques
	H.265/ H.264 <sup>4</sup>	Transmission Mode Constant bit rate / VBR / Frame rate / Best effort
	JPEG	Transmission Type Unicast / Multicast Image Quality 10 steps

\*1 Converted value \*2 Super Dynamic function is automatically set off on 60 fps mode.

\*3 Stabilizer, Auto track, Smart Facial Coding, i-VMD, can not be used at the same time.

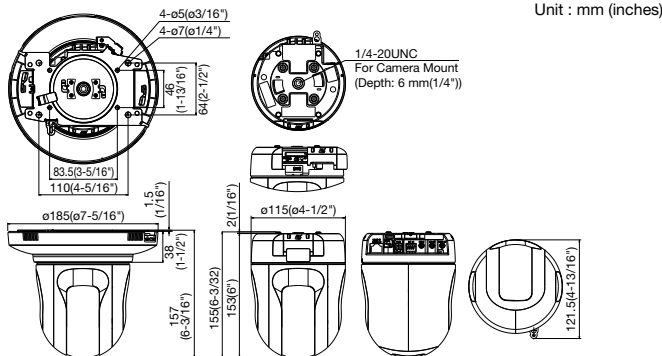
\*4 Transmission for 4 streams can be individually set.

<b>Network</b>	Smart Coding	<b>Smart Facial Coding<sup>3</sup></b> : On(Smart Facial Coding)/ On(AUTO VIQS)/ Off *Smart Facial Coding is only available with Stream(1). <b>GOP(Group of pictures) control</b> : On(Advanced)/ On(Mid)/ On(Low)/ Off *On(Advanced) is only available with H.265.
	Audio Compression	G.726 (ADPCM) : 16 kbps / 32 kbps G.711 : 64 kbps AAC-LC <sup>5</sup> : 64 kbps / 96 kbps / 128 kbps
	Audio transmission mode	Off / Mic (Line) input / Audio output / Interactive (Half duplex) / Interactive (Full duplex)
	Supported Protocol	IPv6 : TCP/IP, UDP/IP, HTTP, HTTPS, RTP, FTP, SMTP, DNS, NTP, SNMP, DHCPv6, MLD, ICMP, ARP, IEEE 802.1X, DiffServ IPv4 : TCP/IP, UDP/IP, HTTP, HTTPS, RTP, RTP/RTCP, FTP, SMTP, DHCP, DNS, DDNS, NTP, SNMP, UPnP, IGMP, ICMP, ARP, IEEE 802.1X, DiffServ
<b>Alarm</b>	Maximum concurrent access number	Up to 14 users (Depends on network conditions)
	SDXC/SDHC/SD Memory Card (Option)	H.265 / H.264 recording : Manual REC / Alarm REC (Pre/Post) / Schedule REC / Backup upon network failure JPEG recording : Manual REC / Alarm REC (Pre/Post) / Backup upon network failure Compatible SDXC/SDHC/SD Memory Card : Panasonic 2 GB, 4 GB*, 8 GB*, 16 GB*, 32 GB*, 64 GB**, 128 GB**, 256 GB** model *SDHC card, ** SDXC card (except miniSD card and microSD card)
	Mobile Terminal Compatibility	iPad / iPhone, Android™ mobile terminals
<b>Alarm</b>	Alarm Source	3 terminals input, VMD alarm <sup>6</sup> , Command alarm, Audio detection alarm, Auto track alarm
	Alarm Actions	SDXC/SDHC/SD memory recording, E-mail notification, HTTP alarm notification, Indication on browser, FTP image transfer, TCP alarm notification output
<b>Input/ Output</b>	Monitor Output (for confirmation)	VBS : 1.0 V [p-p] / 75 Ω, composite, ø3.5 mm mini jack An NTSC or PAL signal can be outputted from camera
	Audio Input	ø3.5 mm stereo mini jack (stereo input) Input impedance: Approx. 2 kΩ (unbalanced) (Applicable microphone: Plug-in power type) Supply voltage: 2.5 V ± 0.5 V
	Audio Output	ø3.5 mm stereo mini jack (stereo output) Output impedance : Approx. 600 Ω (unbalanced)
	External I/O Terminals	ALARM IN1(Alarm input 1/ Black & white input/ Auto time adjustment input), ALARM IN2(Alarm input 2/ ALARM OUT), ALARM IN3(Alarm input 3/ AUX OUT)(x1 for each)
<b>General</b>	Safety	UL (UL60950-1), c-UL (CSA C22.2 No.60950-1), CE, IEC60950-1
	EMC	FCC (Part15 ClassA), ICES003 ClassA, EN55032 ClassB, EN55024
	Power Source and Power Consumption	DC12 V 1 A, Approx. 12 W PoE(IEEE802.3af) DC 48 V 250 mA, Approx. 12 W (Class0 device)
	Ambient Operating Temperature	-10 °C to +50 °C (14 °F to 122 °F) (Ceiling / Camera mount bracket) -10 °C to +40 °C (14 °F to 104 °F) (Desktop / Tripod)
	Ambient Operating Humidity	10 to 90 % (no condensation)
	Dimensions	<b>Including the decorative cover</b> ø185 mm × 157 mm (H) (ø7-9/32 inches × 6-3/16 inches (H)) <b>Excluding the decorative cover(place the camera upside-down)</b> ø115 mm × 155 mm (H) (ø4-17/32 inches × 6-3/32 inches (H))
	Mass (approx.)	Approx. 1.1 kg (2.43 lbs) Including Camera mount bracket, decorative cover : Approx. 200 g (0.44 lbs)
	Finish	Camera : PMMA resin, Fine silver Decorative cover : PC / ABS resin, Fine silver

\*5 When recording audio on an SD memory card, only use AAC-LC (Advanced Audio Coding - Low Complexity).

\*6 Including alarms from Plug-in Software

## Appearance



### Trademarks and registered trademarks

- iPad and iPhone are trademarks of Apple Inc., registered in the U.S. and other countries.

- Android is a trademark of Google LLC.

- ONVIF is a trademark of ONVIF, Inc.

- All other trademarks identified herein are the property of their respective owners.

### Important

- Safety Precautions : Carefully read the Basic Information, Installation Guide and Operating Instructions before using this product.

- i-PRO Co., Ltd. cannot be held responsible for the performance of the network and/or other manufacturers' products used on the network.

• Masses and dimensions are approximate. • Specifications are subject to change without notice.

## Bundled License

### Plug-in Software for i-VMD

i-VMD is possible to detect objects in the specified area by advanced video analysis technology.

i-VMD : Intruder Detection, Loitering Detection,  
Direction Detection, Scene Change Detection,  
Object Detection, Cross Line Detection



## Optional Accessories

### Mount Bracket / Inner Cover

Ceiling Mount Bracket <b>WV-Q105A</b>	Wall Mount Brackets <b>WV-Q158C</b> (Clear) <b>WV-Q158S</b> (Smoke)	Ceiling Mount Brackets <b>WV-Q159C</b> (Clear) <b>WV-Q159S</b> (Smoke)
Ceiling Mount Brackets <b>WV-Q160C</b> (Clear) <b>WV-Q160S</b> (Smoke)	Inner Cover <b>WV-Q161</b>	

\*This catalog is provided for all over the world. Some accessories may not be available in some countries.

**i-PRO**  
The Power of Truth

i-PRO Co., Ltd.

<https://i-pro.com/>

(2A-196CA)