

## 40x iA(intelligent Auto) H.265 PTZ Camera

The WV-S6111 captures the highest quality images automatically even in very challenging and fast-changing surveillance environments. Intelligent Auto (iA) monitors scene dynamics and motion to adjust key camera settings automatically in real-time reducing distortion such as motion blur on moving objects. New industry-leading 144dB dynamic range delivers balanced scene exposure in dynamic and extreme-backlit lighting environments. In addition, color night vision provides outstanding low-light performance with accurate color rendition and saturation from i-Pro's 1/3" sensor, rivaling the performance of costlier 1/2" sensor cameras in the market. Adopting H.265 Smart Coding technology, intelligently reduces bandwidth efficiency of up to 95%\* over H.264 for longer recording and less storage. Cameras out-of-the-box, use an encryption module standardized by FIPS Publication 140-2 for secure video streaming. \*Value in Advanced mode. It depends on the scene.

### Extreme image quality for evidence capturing under challenging conditions

- Long-distance vision with high power 40x zoom lens
- Sharp and clear image of fast moving vehicles with Intelligent Auto
- Outstanding low light performance in true color with low noise for night time applications
- Super Dynamic 144dB for backlit situation by headlights and shadows on the streets at night
- Long life Pan/Tilt gear mechanism

### Extreme bandwidth compression with new H.265 Smart Coding

- Longer recording, less storage compared to H.264 based compression techniques
- New self-learning ROI\* encoding (Auto VIQS) dynamically detect motion areas to keep vehicles and human in good picture quality while lowering your bandwidth \*Region of Interest

### Extreme Data Security

- Full encryption SD card edge recording to keep your data safe
- FIPS140-2 CAVP compliant \*Using encryption module standardized by FIPS publication 140-2
- Full end-to-end system encryption with supported VMS and devices to protect from IP snooping/spoofing and detect data alteration

### Key Features

- HD 1280x720 60fps
- 40x optical zoom
- Durable Pan/Tilt gear mechanism
- iA (intelligent Auto)
- Extreme Super Dynamic 144dB
- Color night vision (0.0007 to 0.011 lx)
- i-VMD License Bundled

### Industry examples

- Retail(Shopping mall)
- Airport
- Subway
- Casino
- Logistics

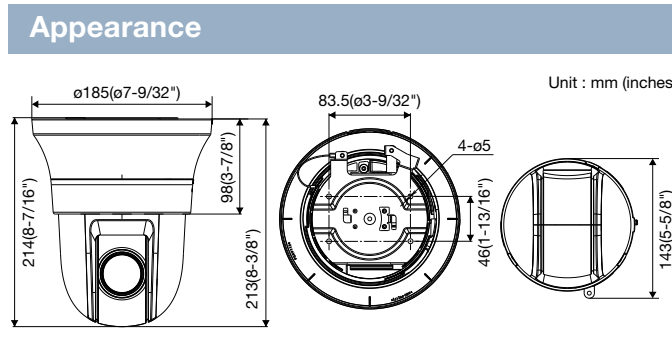


# Specifications

<b>Camera</b>	Image Sensor	Approx. 1/2.8 type MOS image sensor
	Minimum Illumination	Color : 0.011 lx, BW : 0.005 lx (F1.6, Maximum shutter : Off (1/30s), AGC : 11) Color : 0.0007 lx, BW : 0.0003 lx (F1.6, Maximum shutter : max. 16/30s, AGC : 11) *1
	Intelligent Auto	On / Off
	Shutter Speed	1/30 Fix to 1/10000 Fix *1/30 Fix to 2/120 Fix is available during 30 fps mode only. *1/60 Fix is available during 60 fps mode only.
	Super Dynamic*2	On / Off, the level can be set in the range of 0 to 31.
	Dynamic Range	144 dB (Super Dynamic : On)
	Image Settings	Gain (AGC), White balance
	Image Compensation	Adaptive black stretch, Back light compensation (BLC), Fog compensation, High light compensation (HLC), Digital noise reduction
	Color/BW (ICR)	Off / On / Auto1 (Normal) / Auto2 (IR Light) / Auto3 (SCC)
	Video Motion Detection (VMD)	On / Off, 4 areas available
	Intelligent VMD (i-VMD)*3	Type 4 *Bundled License
	Stabilizer*3	On / Off (available only in the 30 fps mode)
	Privacy Zone	Filling / Pixelate / Off (up to 32 zones available)
	Camera Title (OSD)	On / Off Up to 20 characters (alphanumeric characters, marks)
	<b>Lens</b>	Zoom Ratio
Digital (electronic) zoom		16x
Focal length		4.25 mm – 170 mm (5/32 inches – 6-11/16 inches)
Maximum Aperture Ratio		1 : 1.6 (WIDE) – 1 : 4.95 (TELE)
Focus range		3.0 m (9 ft 10-1/8 inches) – ∞
Angular Field of view		[16 : 9 mode] Horizontal : 1.9 ° (TELE) – 66 ° (WIDE) Vertical : 1.1 ° (TELE) – 39 ° (WIDE) [4 : 3 mode] Horizontal : 1.4 ° (TELE) – 51 ° (WIDE) Vertical : 1.1 ° (TELE) – 39 ° (WIDE)
<b>Pan/tilt</b>		Panning Range
	Panning Speed	Manual : Approx. 0.065°/s – 120°/s Preset : Up to approx. 300°/s
	Tilting Range	-25° to 205° (level-downward-level)
	Tilting Speed	Manual : Approx. 0.065°/s – 120°/s Preset : Up to approx. 300°/s
	Preset Positions	256 positions
	Auto Mode	Auto track*3 / Auto pan/ Preset sequence/ Patrol
	Self Return	10 s / 20 s / 30 s / 1 min / 2 min / 3 min / 5 min / 10 min / 20 min / 30 min / 60 min
<b>Browser GUI</b>	Camera Control	Pan/Tilt, Zoom, Focus, Auto mode, Brightness, Preset, AUX, Rec. on SD, Log, Viewer software
	Audio	Mic (Line) input : On / Off Volume adjustment : Low / Middle / High Audio Output : On / Off Volume adjustment : Low / Middle / High
	GUI / Setup Menu Language	English, Italian, French, German, Spanish, Portuguese, Russian, Chinese, Japanese
	Network	Network IF 10Base-T / 100Base-TX, RJ45 connector
<b>Network</b>	Resolution	<b>*1.3 mega pixel [16 : 9] (30/60 fps)</b> 1280×720 / 640×360 / 320×180
	H.265/ H.264 JPEG (MJPEG)	<b>*1.3 mega pixel [4 : 3] (30 fps)</b> 1280×960 / 800×600 / VGA / 400×300 / QVGA
	H.265/ H.264 JPEG	Constant bit rate / VBR / Frame rate / Best effort Unicast / Multicast
	Image Quality	10 steps

<b>Network</b>	Smart Coding	<b>Smart Facial Coding</b> *3 : On(Smart Facial Coding)/ On(AUTO VIQS)/ Off *Smart Facial Coding is only available with Stream(1). <b>GOP(Group of pictures) control</b> : On(Advanced)/ On(Mid)/ On(Low)/ Off *On(Advanced) is only available with H.265.
	Audio Compression	G.726 (ADPCM) : 16 kbps / 32 kbps G.711 : 64 kbps AAC-LC*5 : 64 kbps / 96 kbps / 128 kbps
	Audio transmission mode	Off / Mic (Line) input / Audio output / Interactive (Half duplex) / Interactive (Full duplex)
	Supported Protocol	IPv6 : TCP/IP, UDP/IP, HTTP, HTTPS, RTP, FTP, SMTP, DNS, NTP, SNMP, DHCPv6, MLD, ICMP, ARP, IEEE 802.1X, DiffServ IPv4 : TCP/IP, UDP/IP, HTTP, HTTPS, RTP, RTP/RTCP, FTP, SMTP, DHCP, DNS, DDNS, NTP, SNMP, UPnP, IGMP, ICMP, ARP, IEEE 802.1X, DiffServ
	Maximum concurrent access number	Up to 14 users (Depends on network conditions)
	SDXC/SDHC/SD	H.265 / H.264 recording : Manual REC / Alarm REC (Pre/Post) / Schedule REC / Backup upon network failure JPEG recording : Manual REC / Alarm REC (Pre/Post) / Backup upon network failure
	Memory Card (Option)	Compatible SDXC/SDHC/SD Memory Card : Panasonic 2 GB, 4 GB*, 8 GB*, 16 GB*, 32 GB*, 64 GB**, 128 GB** 256 GB** model *SDHC card, **SDXC card (except miniSD card and microSD card)
	Mobile Terminal Compatibility	iPad / iPhone, Android™ mobile terminals
<b>Alarm</b>	Alarm Source	3 terminals input, VMD alarm*6, Command alarm, Audio detection alarm, Auto track alarm
	Alarm Actions	SDXC/SDHC/SD memory recording, E-mail notification, HTTP alarm notification, Indication on browser, FTP image transfer, TCP alarm notification output
<b>Input/ Output</b>	Audio Input	0.5 m stereo mini jack (monaural input) Input impedance: Approx. 2 kΩ (unbalanced) (Applicable microphone: Plug-in power type) Supply voltage: 4.0 V ±0.5 V
	Audio Output*7	ø3.5 mm stereo mini jack (monaural output) Output impedance : Approx. 600 Ω (unbalanced)
	External I/O Terminals	ALARM IN1(Alarm input 1/ Black & white input/ Auto time adjustment input), ALARM IN2(Alarm input 2/ ALARM OUT), ALARM IN3(Alarm input 3/ AUX OUT)x1 for each
<b>General</b>	Safety	UL (UL60950-1), c-UL (CSA C22.2 No.60950-1), CE, IEC60950-1
	EMC	FCC (Part15 ClassA), ICES003 ClassA, EN55032 ClassB, EN55024
	Power Source and Power Consumption	DC12 V 1 A, Approx. 12 W PoE(IEEE802.3af compliant) DC48 V 250 mA, Approx. 12 W (Class0 device)
	Ambient Operating Temperature	-10°C to +50°C (14 °F to 122 °F)
	Ambient Operating Humidity	10 to 90 % (no condensation)
	Dimensions	Maximum ø185 mm x 214 (H) mm {ø7-9/32 inches x 8-7/16 inches (H)} (including the decorative covers)
	Mass (approx.)	Approx. 1.74 kg (3.84 lbs) Including camera mount bracket, decorative cover: Approx. 240 g (0.53 lbs)
Finish	Camera : ABS resin (Coating color : Black) Decorative cover : ABS resin (Resin color : Sail white)	

\*1 Converted value  
\*2 Super Dynamic function is automatically set off on 60 fps mode.  
\*3 Stabilizer, Auto track, Smart Facial Coding, i-VMD, can not be used at the same time.  
\*4 Transmission for 4 streams can be individually set.  
\*5 When recording audio on an SD memory card, only use AAC-LC (Advanced Audio Coding - Low Complexity).  
\*6 Including alarms from Plug-in Software  
\*7 The audio output can be switched to the monitor output. Refer to the Operating Instructions on the provided CD-ROM for descriptions of how to switch the output.



**Trademarks and registered trademarks**  
 - iPad and iPhone are trademarks of Apple Inc., registered in the U.S. and other countries.  
 - Android is a trademark of Google LLC.  
 - ONVIF is a trademark of ONVIF, Inc.  
 - All other trademarks identified herein are the property of their respective owners.

**Important**  
 - Safety Precautions : Carefully read the Basic Information, Installation Guide and Operating Instructions before using this product.  
 - i-PRO Co., Ltd. cannot be held responsible for the performance of the network and/or other manufacturers' products used on the network.

• Masses and dimensions are approximate. • Specifications are subject to change without notice.

## Bundled License

**Plug-in Software for i-VMD**

i-VMD is possible to detect objects in the specified area by advanced video analysis technology.

i-VMD : Intruder Detection, Loitering Detection, Direction Detection, Scene Change Detection, Object Detection, Cross Line Detection

Notification sent to the monitoring screen

## Optional Accessories

**Mount Bracket / Dome Cover**

Ceiling Mount Bracket <b>WV-Q105A</b>	Ceiling Mount Bracket (Embedded) <b>WV-Q126A</b>	Wall Mount Bracket <b>WV-Q119</b>	Dome Cover (Smoke type) <b>WV-CS5S</b>	Dome Cover (Clear type) <b>WV-CS5C</b>
------------------------------------------	-----------------------------------------------------	--------------------------------------	-------------------------------------------	-------------------------------------------

\* This catalog is provided for all over the world. Some accessories may not be available in some countries.