

4K Vandal Resistant Indoor Dome Network Camera

Designed to equip security professionals with the best possible CCTV footage for evidence, the WV-S2272L captures high quality 4K images even in very challenging, and dynamic environments that require reliable hardware.

To adjust key camera settings automatically in real time, improved intelligent auto (iA) monitors scene dynamics and motion, and captures clear images while reducing distortion such as motion blur on moving objects.

In order to save bandwidth at 50%* lower than existing cameras and maintain image quality, the improved Smart Coding technology optimizes video compression through captured scene. *Compared to Smart Coding OFF with H.265

Extreme image quality allows evidence to be captured even under challenging conditions

- True 4K lens and large image sensor realize wide area surveillance with improved high-quality images
- Auto shutter speed control for moving objects
- Outstanding low-light performance in true color with low noise for nighttime applications
- Built-in IR LED to produce a clear monochrome image in 0 lux conditions with 30 m (98 feet) irradiation distance
- Environmental durability: IK10

Extreme bandwidth compression with evolved Smart Coding

- Longer recording and less storage requirements compared to traditional H.265 compression techniques
- Improved video compression technology detects objects such as faces, humans, vehicles and motorcycles / bicycles within the image and compresses the areas without objects in order to reduce transmitted data while maintaining image quality

Easy installation

- Allows you to connect the network cable to the camera body simply by opening a part of the package, which saves you time and workspace, especially when handling multiple cameras

Key Features

- 4K (3,840 x 2,160) up to 30fps
- Intelligent Auto
- Color night vision (0.006 to 0.09 lx)
- H.265 Smart Coding
- FIPS140-2 CAVP compliant

*Using encryption module standardized by FIPS publication 140-2

- i-VMD License Bundled
- ONVIF® Profile G / S / T

*ONVIF is a trademark of ONVIF, Inc.

Industry examples

- Airport (Passport control / Security checkpoint / Ticket counter)
- Retail / Bank / Education / Hospital / Building



Specifications

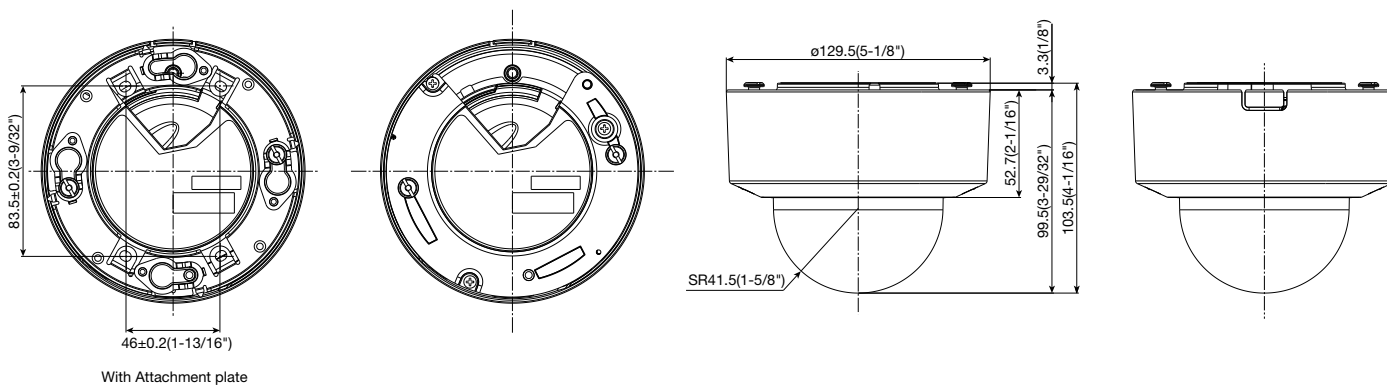
Camera	Image Sensor	1/1.8 type CMOS image sensor	
	Minimum Illumination	Color : 0.09 lx, BW : 0.05 lx (F1.5, Maximum shutter : Off (1/30s), AGC : 11) BW : 0 lx (F1.5, Maximum shutter : Off (1/30 s), AGC : 11, when the IR LED is lit) Color : 0.006 lx, BW : 0.003 lx (F1.5, Maximum shutter : max. 16/30s, AGC : 11) *1	
	White Balance	ATW1/ATW2/AWC	
	Shutter Speed	[30fps mode] 1/30 Fix to 1/10000 Fix [25fps mode] 1/25 Fix to 1/10000 Fix	
	Intelligent Auto	On / Off	
	Super Dynamic	On / Off, The level can be set in the range of 0 to 31.	
	Dynamic Range	Max. 132 dB (Super Dynamic : On, Level : 31)	
	Adaptive Black Stretch	The level can be set in the range of 0 to 255.	
	Back light compensation / High light compensation	BLC (Back light compensation) / HLC (High light compensation) / Off The level can be set in the range of 0 to 31. (only when Super dynamic / Intelligent Auto : Off)	
	Fog compensation	On / Off, The level can be set in the range of 0 to 8 (only when Intelligent auto / auto contrast adjust : Off)	
	Maximum gain	The level can be set in the range of 0 to 11.	
	Color/BW (ICR)	Off / On (IR Light Off) / On (IR Light On) / Auto1 (IR Light Off) / Auto2 (IR Light On) / Auto3 (SCC)	
	IR LED Light	High / Middle / Low / Off, Maximum irradiation distance : 30 m (Approx. 98 ft)	
	Digital Noise Reduction	The level can be set in the range of 0 to 255.	
	Video Motion Detection (VMD)	On / Off, 4 areas available	
	Scene Change Detection (SCD)	On / Off, 1 area available	
	Intelligent VMD (i-VMD)	Type 7 *Bundled License	
	Privacy Zone	On / Off, Up to 8 zones available	
	Image rotation ^{2,3}	0 ° (Off) / 90 ° / 180 ° (Upside-down) / 270 °	
	Camera Title (OSD)	On / Off, Up to 20 characters (alphanumeric characters, marks)	
Lens	Optical zoom	2.0x (Motorized zoom / Motorized focus)	
	Extra optical zoom	6.0x (when resolution is 1280x720)	
	Digital (electronic) zoom	Choose from 3 levels of x1, x2, x4	
	Focal length	4.3 mm - 8.6 mm (5/32 inches - 11/32 inches)	
	Maximum Aperture Ratio	1 : 1.5 (WIDE) - 1 : 2.4 (TELE)	
	Focus range	1 m (39-3/8 inches) - ∞	
	Angular Field of View	[16 : 9 mode] [4:3 mode] is not supported. Horizontal: 52° (TELE) - 101° (WIDE), Vertical: 29° (TELE) - 55° (WIDE)	
	DORI *4	Detect (25ppm / 8ppf)	Wide: 63.31 m / 207.71 ft, Tele: 157.46 m / 516.61 ft
		Observe (62.5ppm / 19ppf)	Wide: 25.32 m / 83.08 ft, Tele: 62.99 m / 206.64 ft
		Recognize (125ppm / 38ppf)	Wide: 12.66 m / 41.54 ft, Tele: 31.49 m / 103.32 ft
Identify (250ppm / 76ppf)		Wide: 6.33 m / 20.77 ft, Tele: 15.75 m / 51.66 ft	
Adjusting Angle	Horizontal (PAN) angle : ±180°, Vertical (TILT) angle : -30 to +85°, Azimuth (YAW) angle : ±100°		
Browser GUI	Camera Control	Brightness, AUX On / Off	
	Audio	Mic (Line) Input : On / Off Volume adjustment : Low / Middle / High Audio Output : On / Off Volume adjustment : Low / Middle / High	
Network	GUI / Setup Menu Language	English, Italian, French, German, Spanish, Portuguese, Russian, Chinese, Japanese	
	Network IF	10Base-T / 100Base-TX, RJ45 connector	
Resolution *5	Resolution *5	[16 : 9 mode] [4:3 mode] is not supported.	
	H.265/ H.264/ JPEG (MJPEG)	3840x2160, 2560x1440, 1920x1080, 1280x720, 640x360, 320x180	
	H.265/ Transmission Mode	Constant bit rate / VBR / Frame rate / Best effort	
	H.264 *6	Unicast port (AUTO)/ Unicast port (MANUAL)/ Multicast	
	JPEG	10 steps	
	Image Quality	Smart Coding	
Smart Coding	GOP (Group of pictures) control : On (Frame rate control) / On (Advanced) / On (Mid) / On (Low) / Off *On (Frame rate control) and On (Advanced) are only available with H.265. Auto IQS : On / Off		

Network	Audio Compression	G.726 (ADPCM) : 16 kbps / 32 kbps G.711 : 64 kbps AAC-LC ⁷ : 64 kbps / 96 kbps / 128 kbps	
	Audio transmission mode	Off / Mic (Line) input / Audio output / Interactive (Half duplex) / Interactive (Full duplex)	
	Supported Protocol	IPv6 : TCP/IP, UDP/IP, HTTP, HTTPS, SMTP, DNS, NTP, SNMP, DHCPv6, RTP, MLD, ICMP, ARP, IEEE 802.1X, DiffServ, SSL/TLS ⁸ , SRTP ⁸ , SFTP ⁸ , MQTT ⁸ , LLDP ⁸ IPv4 : TCP/IP, UDP/IP, HTTP, HTTPS, RTSP, RTP, RTCP, SMTP, DHCP, DNS, DDNS, NTP, SNMP, UPnP, IGMP, ICMP, ARP, IEEE 802.1X, DiffServ, SSL/TLS ⁸ , SRTP ⁸ , SFTP ⁸ , MQTT ⁸ , LLDP ⁸	
	No. of Simultaneous Users	Up to 14 users (Depends on network conditions)	
	SDXC/SDHC/SD Memory Card	H.265 / H.264 recording : Manual REC / Alarm REC (Pre/Post) / Schedule REC / Backup upon network failure JPEG recording : Manual REC / Alarm REC (Pre/Post) Compatible SDXC/SDHC/SD Memory Card: Panasonic 2 GB, 4 GB*, 8 GB*, 16 GB*, 32 GB*, 64 GB**, 128 GB**, 256 GB** model *SDHC card, ** SDXC card (except miniSD card and microSD card)	
	Mobile Terminal Compatibility	iPad, iPhone, Android™ terminals	
	ONVIF ⁹ Profile	G / S / T	
	Alarm	Alarm Source	3 terminals input, VMD alarm, SCD alarm, Command alarm
		Alarm Actions	SDXC/SDHC/SD memory recording, E-mail notification, HTTP alarm notification, Indication on browser, TCP alarm notification output
	Input/ Output	Monitor Output (for adjustment)	VBS : 1.0 V [p-p] / 75 Ω, composite, ø3.5 mm mini jack An NTSC or PAL signal can be outputted from camera
Audio input		ø3.5 mm stereo mini jack For microphone input : Recommended applicable microphone : Plug-in power type (Sensitivity of microphone : -48 dB±3 dB (0 dB=1 V/Pa, 1 kHz)) Input impedance : Approx. 2 kΩ (unbalanced) Supply voltage : 2.5 V ±0.5 V	
For line input :		Input level : Approx. -10 dBV	
Audio Output *9		ø3.5 mm stereo mini jack (Audio output is monaural) Output impedance : Approx. 600 Ω (unbalanced) Output level : -20 dBV	
External I/O Terminals	ALARM IN 1 (Alarm input 1/ Black & white input/ Auto time adjustment input) (x1) ALARM IN 2 (Alarm input 2/ ALARM OUT) (x1) , ALARM IN 3 (Alarm input 3/ AUX OUT) (x1)		
	UL (UL60950-1), c-UL (CSA C22.2 No.60950-1), CE, IEC60950-1		
General	Safety	UL (UL60950-1), c-UL (CSA C22.2 No.60950-1), CE, IEC60950-1	
	EMC	FCC (Part15 ClassA), ICES003 ClassA, EN55032 ClassB, EN55024	
	Power Source and Power Consumption	DC power supply : DC 12 V 890 mA/Approx. 10.7 W PoE (IEEE802.3af compliant) Device : DC48 V 230 mA/ Approx. 11.0 W (Class 0 device)	
	Ambient Operating Temperature	-10 °C to +50 °C (+14 °F to +122 °F)	
	Ambient Operating Humidity	10 to 90 % (no condensation)	
	Shock Resistance	IK10 (IEC 62262)	
	Dimensions	ø129.5 mm x 103.5 mm (H) (ø5-1/8 inches x 4-1/16 inches (H)) Dome radius 41.5 mm (1-5/8 inches)	
	Mass	Approx. 830 g (1.83 lbs)	
	Finish	Main body : Aluminum die cast, i-PRO white Dome cover : Polycarbonate resin, Clear	

*1 Converted value
*2 90° and 270° are invalid only in the 320x180 resolution.
*3 Following the setting angle of the rotated image, the analog output of the MONITOR OUT terminal rotates.
*4 Maximum distance at which a camera's tele and wide lens can meet DORI specifications. This value does not indicate the performance of the camera. Calculations made with the camera installed horizontally at resolution of 3840x2160.
*5 H.265/H.264 can be selected for each stream.
*6 Transmission for 4 streams can be individually set.
*7 When recording audio on an SD memory card, only use AAC-LC (Advanced Audio Coding - Low Complexity).
*8 It may be necessary to upgrade the firmware to use these protocols
*9 This camera is not equipped with the function to change the audio output to the monitor output.

Appearance

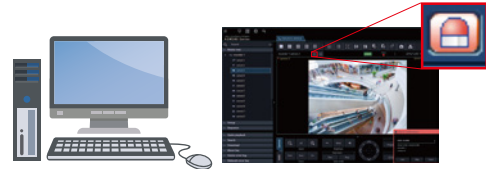
Unit : mm (inches)



Bundled License

Plug-in Software for i-VMD

i-VMD is possible to detect objects in the specified area by advanced video analysis technology.
 i-VMD : Intruder Detection, Loitering Detection, Direction Detection, Object Detection, Cross Line Detection



Notification sent to the monitoring screen

Optional Accessories

Mount Bracket / Dome Cover / Other

<p>Ceiling Mount Bracket WV-Q105A</p> 	<p>Ceiling Mount Bracket (Embedded) WV-QEM100-W (i-PRO white)</p> 	<p>Ceiling Mount Bracket WV-QCL100-W (i-PRO white)</p> 	<p>Mount Bracket WV-QSR501-W (i-PRO white)</p> <p>(This bracket requires WV-QCL501-W, WV-QWL501-W or WV-QAT500-W.)</p> 	<p>Ceiling Mount Bracket WV-QCL501-W (i-PRO white)</p> <p>(This bracket requires WV-QSR501-W.)</p> 	<p>Wall Mount Bracket WV-QWL501-W (i-PRO white)</p> <p>(This bracket requires WV-QSR501-W.)</p> 
<p>Wall Mount Bracket WV-QWL500-W (i-PRO white)</p> 	<p>Adapter Box WV-QJB500-W (i-PRO white)</p> <p>(This bracket requires WV-QWL500-W.)</p> 	<p>Pole Mount Bracket WV-QPL500-W (i-PRO white)</p> <p>(This bracket requires WV-QWL501-W, WV-QWL500-W or WV-QJB500-W.)</p> 	<p>Corner Mount Bracket WV-QCN500-W (i-PRO white)</p> <p>(This bracket requires WV-QWL501-W, WV-QWL500-W or WV-QJB500-W.)</p> 	<p>Attachment pipe (For 3rd party bracket) WV-QAT500-W (i-PRO white)</p> <p>(This bracket requires WV-QSR501-W.)</p> 	<p>Dome Cover (Smoke Type) WV-CR1S</p> 

• Brackets are available in four colors, Fine silver, Light gray, Gray and i-PRO white. It is possible to use them in different color combinations.

Trademarks and registered trademarks

- iPad and iPhone are trademarks of Apple Inc., registered in the U.S. and other countries.
- Android is a trademark of Google LLC.
- ONVIF is a trademark of ONVIF, Inc.
- All other trademarks identified herein are the property of their respective owners.

Important

- Safety Precautions : Carefully read the Basic Information, Installation Guide and Operating Instructions before using this product.
- i-PRO Co., Ltd. cannot be held responsible for the performance of the network and/or other manufacturers' products used on the network.

• Masses and dimensions are approximate. • Specifications are subject to change without notice.