

iA (intelligent Auto) H.265 Network Camera

Panasonic WV-S1132 captures the highest quality images automatically even in very challenging and fast-changing surveillance environments. Intelligent Auto (iA) allows the camera to automatically adjust the key settings in real-time depending on the scenery and movement, reducing distortion such as motion blur and moving objects. New industry-leading 144dB dynamic range delivers balanced scene exposure in dynamic and extreme-backlit lighting environments. In addition, color night vision provides outstanding low-light performance with accurate color rendition and saturation from i-Pro's 1/3" sensor, rivaling the performance of costlier 1/2" sensor cameras in the market. The adopted H.265 Smart Coding technology, intelligently reduces bandwidth efficiency of up to 95%* more than H.264 for longer recording and less storage. Cameras out-of-the-box, use an encryption module standardized by FIPS Publication 140-2 for secure video streaming.

*Value in Advanced mode with Smart Facial Coding. It depends on the scene.

Extreme image quality allows evidence to be captured even under challenging conditions

- Auto Shutter speed control for fast moving vehicles
- Sharp and clear images of a walking person day & night
- Outstanding low light performance in true color with low noise for night time applications
- Super Dynamic 144dB for backlit situations involving headlights and shadows on night streets

Extreme bandwidth compression with new Panasonic H.265 Smart Coding

- Longer recording and less storage compared to any H.264 based compression techniques
- New self-learning ROI* encoding (Auto VIQS) detects movement within the image and compresses the areas with little motion in order to reduce transmitted data while maintaining the quality of the image.
- New "Smart Facial Coding" adds more bandwidth reduction for ID camera applications mainly capturing faces

*Region of Interest

Extreme Data Security

- Full encryption SD card edge recording to keep your data safe
- FIPS140-2 CAVP compliant *Using encryption module standardized by FIPS publication 140-2
- Full end-to-end system encryption with supported VMS and devices to protect from IP snooping/spoofing and detect data alteration

Key Features

- 2MP(1080p) 60fps
- iA (intelligent Auto)
- Extreme Super Dynamic 144dB
- Color night vision (0.0007 to 0.01 lx)
- H.265 Smart Coding
- RS485 serial port equipped
- i-VMD License Bundled

Industry examples

- Public safety (City / Road / Highway / Port)
- Transportation (Airport / Train / Subway)
- Retail / Bank / Education / Hospital / Building



Lens not included

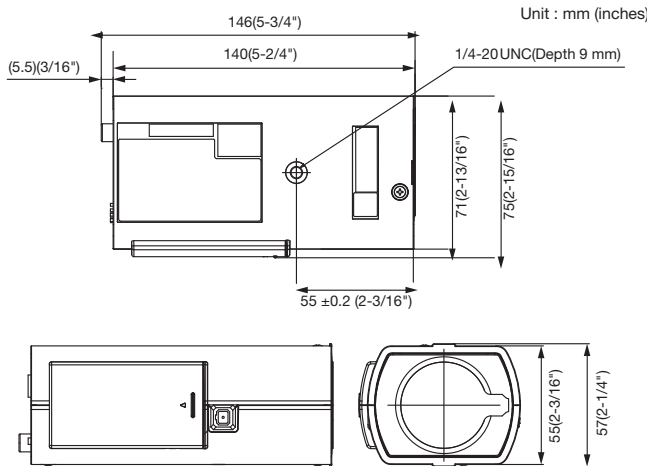
Specifications

Camera	Image Sensor	Approx. 1/2.8 type MOS image sensor		
	Minimum Illumination	Color : 0.01 lx, BW : 0.004 lx (F1.4, Maximum shutter : Off (1/30s), AGC : 11) Color : 0.0007 lx, BW : 0.0003 lx (F1.4, Maximum shutter : max. 16/30s, AGC : 11) ^{*1}		
	White Balance	AWC (2,000 - 10,000 K), ATW1 (2,700 - 6,000 K), ATW2 (2,000 - 6,000 K)		
	Shutter Speed	1/30 Fix to 1/10000 Fix ^{*1} 1/30 Fix to 2/120 Fix is available during 30 fps mode only. ^{*1} 1/60 Fix is available during 60 fps mode only.		
	Intelligent Auto	On / Off		
	Super Dynamic ^{*2}	On / Off, the level can be set in the range of 0 to 31.		
	Dynamic Range	144 dB (Super Dynamic : On)		
	Adaptive Black Stretch	The level can be set in the range of 0 to 255.		
	Back light compensation / High light compensation	BLC (Back light compensation) / HLC (High light compensation) / Off (only when Super dynamic / Intelligent Auto : Off)		
	Fog compensation	On / Off (only when Intelligent auto / auto contrast adjust : Off)		
	Maximum gain (AGC)	The level can be set in the range of 0 to 11.		
	Color/BW (ICR)	Off / On / Auto1 (Normal) / Auto2 (IR Light) / Auto3 (SCC)		
	Digital Noise Reduction	The level can be set in the range of 0 to 255.		
	Video Motion Detection (VMD)	On / Off, 4 areas available		
	Intelligent VMD (i-VMD) ^{*3}	Type 4 *Bundled License		
	Stabilizer ^{*3}	On / Off (available only in the 30 fps mode)		
	Privacy Zone	On / Off (up to 8 zones available)		
	Image rotation ^{*4}	0 ° / 90 ° / 180 ° / 270 °		
	Camera Title (OSD)	On / Off Up to 20 characters (alphanumeric characters, marks)		
	Focus Adjustment	Auto back focus / Manual		
Camera Control	Brightness, AUX On / Off			
Browser GUI	Audio	Mic (Line) Input : On / Off	Volume adjustment : Low / Middle / High	
	Audio Output	On / Off	Volume adjustment : Low / Middle / High	
GUI / Setup Menu Language	English, Italian, French, German, Spanish, Portuguese, Russian, Chinese, Japanese			
Network	Network IF	10Base-T / 100Base-TX, RJ45 connector		
	Resolution	*2 mega pixel [16 : 9] (30/60 fps) 1,920 x 1,080 / 1,280 x 720 / 640 x 360 / 320 x 180		
	H.265 / H.264			
	JPEG (MJPEG)	*3 mega pixel [4 : 3] (30 fps) 2,048 x 1,536 ^{*5} / 1,280 x 960 / 800 x 600 / 640 x 480 / 400 x 300 / 320 x 240		
	H.265 / H.264 ^{*6}	Transmission Mode	Constant bit rate / VBR / Frame rate / Best effort	
	JPEG	Transmission Type	Unicast / Multicast	
	Image Quality	10 steps		
	Smart Coding	Smart Facial Coding^{*3} : On (Smart Facial Coding) / On (Auto VIQS) / Off ^{*3} Smart Facial Coding is only available with Stream(1). GOP (Group of pictures) : On (Advanced) ^{*7} / On (Mid) / On (Low) / Off ^{*7} On(Advanced) is only available with H.265.		
	Audio Compression	G.726 (ADPCM) : 16 kbps / 32 kbps G.711 : 64 kbps AAC-LC ^{*7} : 64 kbps / 96 kbps / 128 kbps		
	Audio transmission mode	Off / Mic (Line) input / Audio output / Interactive (Half duplex) / Interactive (Full duplex)		

Network	Supported Protocol	IPv6 : TCP/IP, UDP/IP, HTTP, HTTPS, SSL/TLS, RTP, FTP, SMTP, DNS, NTP, SNMP, DHCPv6, MLD, ICMP, ARP, IEEE 802.1X, DiffServ, SRTP ^{*9} , MQTT ^{*9} , LLDP ^{*9} IPv4 : TCP/IP, UDP/IP, HTTP, HTTPS, SSL/TLS, RTSP, RTP, RTP/RTCP, FTP, SMTP, DHCP, DNS, DDNS, NTP, SNMP, UPnP, IGMP, ICMP, ARP, IEEE 802.1X, DiffServ, SRTP ^{*9} , MQTT ^{*9} , LLDP ^{*9}
	No. of Simultaneous Users	Up to 14 users (Depends on network conditions)
Alarm	Alarm Source	3 terminals input, VMD alarm ^{*8} , Command alarm, Audio detection alarm
	Alarm Actions	SDXC/SDHC/SD memory recording, E-mail notification, HTTP alarm notification Indication on browser, FTP image transfer, Panasonic alarm protocol output
Input/Output	Monitor Output (for adjustment)	VBS : 1.0 V [p-p] / 75 Ω, composite, Pin jack An NTSC or PAL signal can be outputted from camera
	Audio input	σ3.5 mm stereo mini jack Input impedance: Approx. 2 kΩ (unbalanced) (Applicable microphone : Plug-in power type) Supply voltage : 2.5 V ±0.5 V
	Audio Output	σ3.5 mm stereo mini jack (monaural output) Output impedance : Approx. 600 Ω (unbalanced)
	External I/O Terminals	ALARM IN 1 (Black & white input, Auto time adjustment input) (x1), ALARM IN 2 (ALARM OUT) (x1), ALARM IN 3 (AUX OUT) (x1)
General	Safety	UL (UL60950-1), c-UL (CSA C22.2 No.60950-1), CE, IEC60950-1
	EMC	FCC (Part15 ClassA), ICES003 ClassA, EN55032 ClassB, EN55024
Power Source and Power Consumption	DC power supply	DC12 V 460 mA, Approx. 5.6 W
	PoE (IEEE802.3af compliant)	Device : DC48 V 120 mA, Approx. 5.8 W (Class 2 device)
Ambient Operating Temperature	-10 °C to +50 °C (14 °F to 122 °F)	
Ambient Operating Humidity	10 to 90 % (no condensation)	
Dimensions	75 mm (W) x 57 mm (H) x 146 mm (D) (2-15/16 inches (W) x 2-1/4 inches (H) x 5-3/4 inches (D)) (excluding lens / power cord plug)	
Mass (approx.)	350 g { 0.77 lbs.}	
Finish	Main body : PC / ABS resin (Sail white)	

^{*1} Converted value
^{*2} Super Dynamic function is automatically set off on 60 fps mode.
^{*3} Stabilizer, Smart Facial Coding, i-VMD can not be used at the same time.
^{*4} When "3 mega pixel [4 : 3](30fps mode)" is selected for "Image capture mode", "90 °" and "270 °" cannot be selected.
^{*5} Used by super resolution techniques
^{*6} Transmission for 4 streams can be individually set.
^{*7} When recording audio on an SD memory card, only use AAC-LC (Advanced Audio Coding - Low Complexity).
^{*8} Including alarms from Plug-in Software
^{*9} It may be necessary to upgrade the firmware to use these protocols.

Appearance



Trademarks and registered trademarks

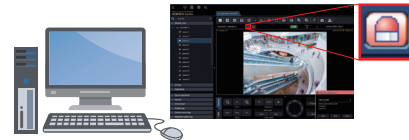
- iPad and iPhone are trademarks of Apple Inc., registered in the U.S. and other countries.
- Android is a trademark of Google LLC.
- ONVIF and the ONVIF logo are trademarks or registered trademarks of Onvif Inc.
- All other trademarks identified herein are the property of their respective owners.

• Masses and dimensions are approximate. • Specifications are subject to change without notice.

Bundled License

Plug-in Software for i-VMD

i-VMD is possible to detect objects in the specified area by advanced video analysis technology.
i-VMD : Intruder Detection, Loitering Detection, Direction Detection, Scene Change Detection, Object Detection, Cross Line Detection



Notification sent to the monitoring screen

Important

- Safety Precaution : Carefully read the Important Information, Installation Guide and operating instructions before using this product.
- Panasonic cannot be responsible for the performance of the network and/or other manufacturers' products used on the network.

Panasonic®

Panasonic Corporation

Panasonic i-PRO Sensing Solutions Co., Ltd.

<https://i-pro.com/corp/>
<https://i-pro.com/global/en/surveillance>
<https://www.linkedin.com/company/i-pro-sensing-solutions-co-ltd/>