

iA (intelligent Auto) H.265 Network Camera

Panasonic WV-S1112 captures the highest quality images automatically even in very challenging and fast-changing surveillance environments. Intelligent Auto (iA) allows the camera to automatically adjust the key settings in real-time depending on the scenery and movement, reducing distortion such as motion blur and moving objects. New industry-leading 144dB dynamic range delivers balanced scene exposure in dynamic and extreme-backlit lighting environments. In addition, color night vision provides outstanding low-light performance with accurate color rendition and saturation from i-Pro's 1/3" sensor, rivaling the performance of costlier 1/2" sensor cameras in the market. The adopted H.265 Smart Coding technology, intelligently reduces bandwidth efficiency of up to 95%* more than H.264 for longer recording and less storage. Cameras out-of-the-box, use an encryption module standardized by FIPS Publication 140-2 for secure video streaming.

*Value in Advanced mode with Smart Facial Coding. It depends on the scene.

Extreme image quality allows evidence to be captured even under challenging conditions

- Auto Shutter speed control for fast moving vehicles
- Sharp and clear images of a walking person day & night
- Outstanding low light performance in true color with low noise for night time applications
- Super Dynamic 144dB for backlit situations involving headlights and shadows on night streets

Extreme bandwidth compression with new Panasonic H.265 Smart Coding

- Longer recording and less storage compared to any H.264 based compression techniques
- New self-learning ROI* encoding (Auto VIQS) detects movement within the image and compresses the areas with little motion in order to reduce transmitted data while maintaining the quality of the image.
- New "Smart Facial Coding" adds more bandwidth reduction for ID camera applications mainly capturing faces

*Region of Interest

Extreme Data Security

- Full encryption SD card edge recording to keep your data safe
- FIPS140-2 CAVP compliant *Using encryption module standardized by FIPS publication 140-2
- Full end-to-end system encryption with supported VMS and devices to protect from IP snooping/spoofing and detect data alteration

Key Features

- HD 720p 60fps
- iA (intelligent Auto)
- Extreme Super Dynamic 144dB
- Color night vision (0.0005 to 0.007 lx)
- H.265 Smart Coding
- RS485 serial port equipped
- i-VMD License Bundled

Industry examples

- Public safety (City / Road / Highway / Port)
- Transportation (Airport / Train / Subway)
- Retail / Bank / Education / Hospital / Building



Lens not included

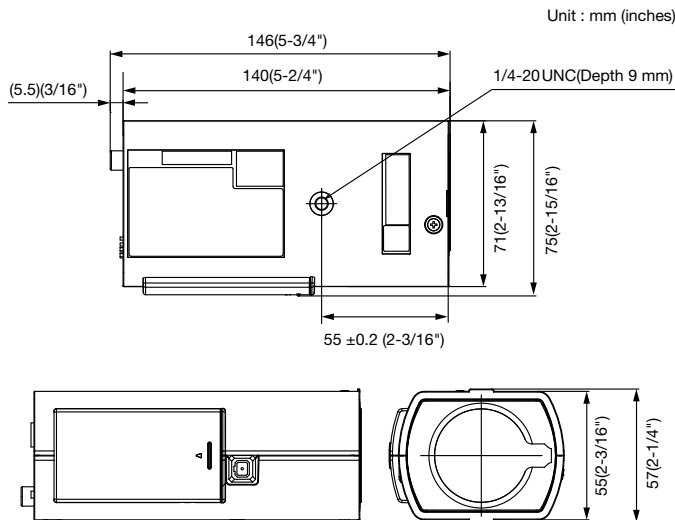
Specifications

| | | | | |
|---------------------------|---|--|--|--|
| Camera | Image Sensor | Approx. 1/2.8 type MOS image sensor | | |
| | Minimum Illumination | Color : 0.007 lx, BW : 0.003 lx (F1.4, Maximum shutter : Off (1/30s), AGC : 11) Color : 0.0005 lx, BW : 0.0002 lx (F1.4, Maximum shutter : max. 16/30s, AGC : 11) ^{*1} | | |
| | White Balance | AWC (2,000 - 10,000 K), ATW1 (2,700 - 6,000 K), ATW2 (2,000 - 6,000 K) | | |
| | Shutter Speed | 1/30 Fix to 1/10000 Fix ^{*1} 1/30 Fix to 2/120 Fix is available during 30 fps mode only. ^{*1} 1/60 Fix is available during 60 fps mode only. | | |
| | Intelligent Auto | On / Off | | |
| | Super Dynamic ^{*2} | On / Off, the level can be set in the range of 0 to 31. | | |
| | Dynamic Range | 144 dB (Super Dynamic : On) | | |
| | Adaptive Black Stretch | The level can be set in the range of 0 to 255. | | |
| | Back light compensation / High light compensation | BLC (Back light compensation) / HLC (High light compensation) / Off (only when Super dynamic / Intelligent Auto : Off) | | |
| | Fog compensation | On / Off (only when Intelligent auto / auto contrast adjust : Off) | | |
| | Maximum gain (AGC) | The level can be set in the range of 0 to 11. | | |
| | Color/BW (ICR) | Off / On / Auto1 (Normal) / Auto2 (IR Light) / Auto3 (SCC) | | |
| | Digital Noise Reduction | The level can be set in the range of 0 to 255. | | |
| | Video Motion Detection (VMD) | On / Off, 4 areas available | | |
| | Intelligent VMD (i-VMD) ^{*3} | Type 4 *Bundled License | | |
| | Stabilizer ^{*3} | On / Off (available only in the 30 fps mode) | | |
| | Privacy Zone | On / Off (up to 8 zones available) | | |
| | Image rotation ^{*4} | 0° / 90° / 180° / 270° | | |
| | Camera Title (OSD) | On / Off Up to 20 characters (alphanumeric characters, marks) | | |
| | Focus Adjustment | Auto back focus / Manual | | |
| Camera Control | Brightness, AUX On / Off | | | |
| Browser GUI | Audio | Mic (Line) Input : On / Off | Volume adjustment : Low / Middle / High | |
| | Audio Output | On / Off | Volume adjustment : Low / Middle / High | |
| GUI / Setup Menu Language | English, Italian, French, German, Spanish, Portuguese, Russian, Chinese, Japanese | | | |
| Network | Network IF | 10Base-T / 100Base-TX, RJ45 connector | | |
| | Resolution | •1.3 mega pixel [16 : 9] (30/60 fps) 1,280 x 720 / 640 x 360 / 320 x 180 | | |
| | H.265 / H.264 | •1.3 mega pixel [4 : 3] (30 fps) 1,280 x 960 / 800 x 600 / 640 x 480 / 400 x 300 / 320 x 240 | | |
| | JPEG (MJPEG) | •1.3 mega pixel [4 : 3] (30 fps) 1,280 x 960 / 800 x 600 / 640 x 480 / 400 x 300 / 320 x 240 | | |
| | H.265 / H.264 ^{*5} | Transmission Mode | Constant bit rate / VBR / Frame rate / Best effort | |
| | JPEG | Transmission Type | Unicast / Multicast | |
| | Image Quality | 10 steps | | |
| | Smart Coding | Smart Facial Coding^{*3} : On (Smart Facial Coding) / On (Auto VIQS) / Off ^{*3} Smart Facial Coding is only available with Stream(1). GOP (Group of pictures) : On (Advanced) / On (Mid) / On (Low) / Off ^{*3} On(Advanced) is only available with H.265. | | |
| | Audio Compression | G.726 (ADPCM) : | 16 kbps / 32 kbps | |
| | Audio transmission mode | G.711 | : 64 kbps | |
| | AAC-LC ^{*6} | : 64 kbps / 96 kbps / 128 kbps | | |
| | Off / Mic (Line) input / Audio output / Interactive (Half duplex) / Interactive (Full duplex) | | | |

| | | |
|----------------------|------------------------------------|--|
| Network | Supported Protocol | IPv6 : TCP/IP, UDP/IP, HTTP, HTTPS, RTP, FTP, SMTP, DNS, NTP, SNMP, DHCPv6, MLD, ICMP, ARP, IEEE 802.1X, DiffServ IPv4 : TCP/IP, UDP/IP, HTTP, HTTPS, RTSP, RTP, RTSP/RTCP, FTP, SMTP, DHCP, DNS, DDNS, NTP, SNMP, UPnP, IGMP, ICMP, ARP, IEEE 802.1X, DiffServ |
| | No. of Simultaneous Users | Up to 14 users (Depends on network conditions) |
| Alarm | Alarm Source | 3 terminals input, VMD alarm ^{*7} , Command alarm, Audio detection alarm |
| | Alarm Actions | SDXC/SDHC/SD memory recording, E-mail notification, HTTP alarm notification Indication on browser, FTP image transfer, Panasonic alarm protocol output |
| Input/ Output | Monitor Output (for adjustment) | VBS : 1.0 V [p-p] / 75 Ω, composite, Pin jack An NTSC or PAL signal can be outputted from camera |
| | Audio input | σ3.5 mm stereo mini jack Input impedance: Approx. 2 kΩ (unbalanced) (Applicable microphone : Plug-in power type) Supply voltage : 2.5 V ±0.5 V |
| | Audio Output | σ3.5 mm stereo mini jack (monaural output) Output impedance : Approx. 600 Ω (unbalanced) |
| | External I/O Terminals | ALARM IN 1(Black & white input, Auto time adjustment input) (x1), ALARM IN 2(ALARM OUT) (x1), ALARM IN 3(AUX OUT) (x1) |
| General | Safety | UL (UL60950-1), c-UL (CSA C22.2 No.60950-1), CE, IEC60950-1 |
| | EMC | FCC (Part15 ClassA), ICES003 ClassA, EN55032 ClassB, EN55024 |
| | Power Source and Power Consumption | DC power supply : DC12 V 460 mA, Approx. 5.6 W PoE (IEEE802.3at compliant) Device : DC48 V 120 mA, Approx. 5.8 W (Class 2 device) |
| | Ambient Operating Temperature | -10 °C to +50 °C (14 °F to 122 °F) |
| | Ambient Operating Humidity | 10 to 90 % (no condensation) |
| | Dimensions | 75 mm (W) x 57 mm (H) x 146 mm (D) (2-15/16 inches (W) x 2-1/4 inches (H) x 5-3/4 inches (D)) (excluding lens / power cord plug) |
| | Mass (approx.) | 350 g { 0.77 lbs.} |
| | Finish | Main body : PC / ABS resin (Sail white) |

- ^{*1} Converted value
^{*2} Super Dynamic function is automatically set off on 60 fps mode.
^{*3} Stabilizer, Smart Facial Coding, i-VMD can not be used at the same time.
^{*4} When "1.3 mega pixel [4 : 3](30fps mode)" is selected for "Image capture mode", "90 °" and "270 °" cannot be selected.
^{*5} Transmission for 4 streams can be individually set.
^{*6} When recording audio on an SD memory card, only use AAC-LC (Advanced Audio Coding - Low Complexity).
^{*7} Including alarms from Plug-in Software

Appearance



Trademarks and registered trademarks

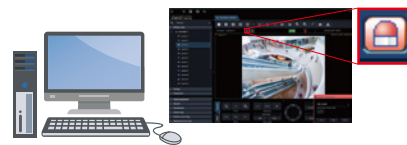
- iPad and iPhone are trademarks of Apple Inc., registered in the U.S. and other countries.
- Android is a trademark of Google LLC.
- ONVIF and the ONVIF logo are trademarks or registered trademarks of Onvif Inc.
- All other trademarks identified herein are the property of their respective owners.

• Masses and dimensions are approximate. • Specifications are subject to change without notice.

Bundled License

Plug-in Software for i-VMD

i-VMD is possible to detect objects in the specified area by advanced video analysis technology.
i-VMD : Intruder Detection, Loitering Detection, Direction Detection, Scene Change Detection, Object Detection, Cross Line Detection



Notification sent to the monitoring screen

Important

- Safety Precaution : Carefully read the Important Information, Installation Guide and operating instructions before using this product.
- Panasonic cannot be responsible for the performance of the network and/or other manufacturers' products used on the network.

DISTRIBUTED BY :

Panasonic

<https://security.panasonic.com>

<https://www.facebook.com/Panasonicnetworkcamera/>

(2A-185EL)