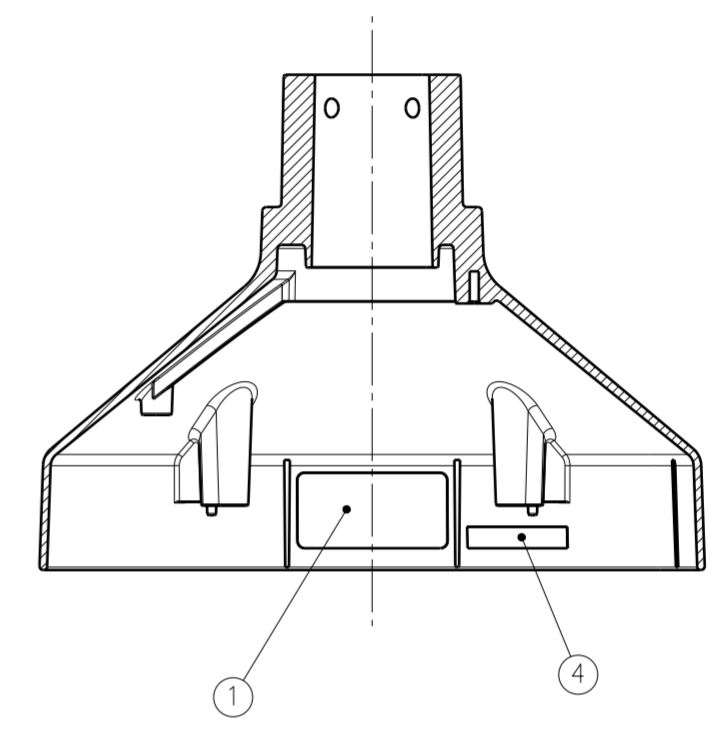
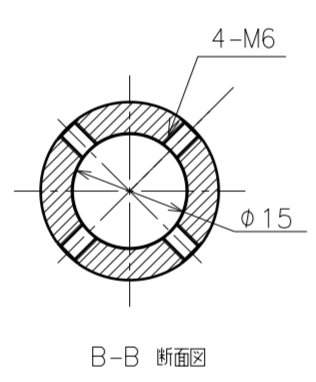


No.	Part Name	Material	Process•Remark
1	Main Label	Polyester sheet	Printing
2	Mount Bracket	ADC12	Painting(Light Grey)
3	Inner Case	Resin	-
4	Serial No. Label	Polyester sheet	Printing
5	Wall Mount Bracket	ADC12	Other Product
6	Camera (WV-SFV481)	-	Other Product
7	Attachment Plate	SUS304	Other Product



A-A 断面图



B-B 断面图

