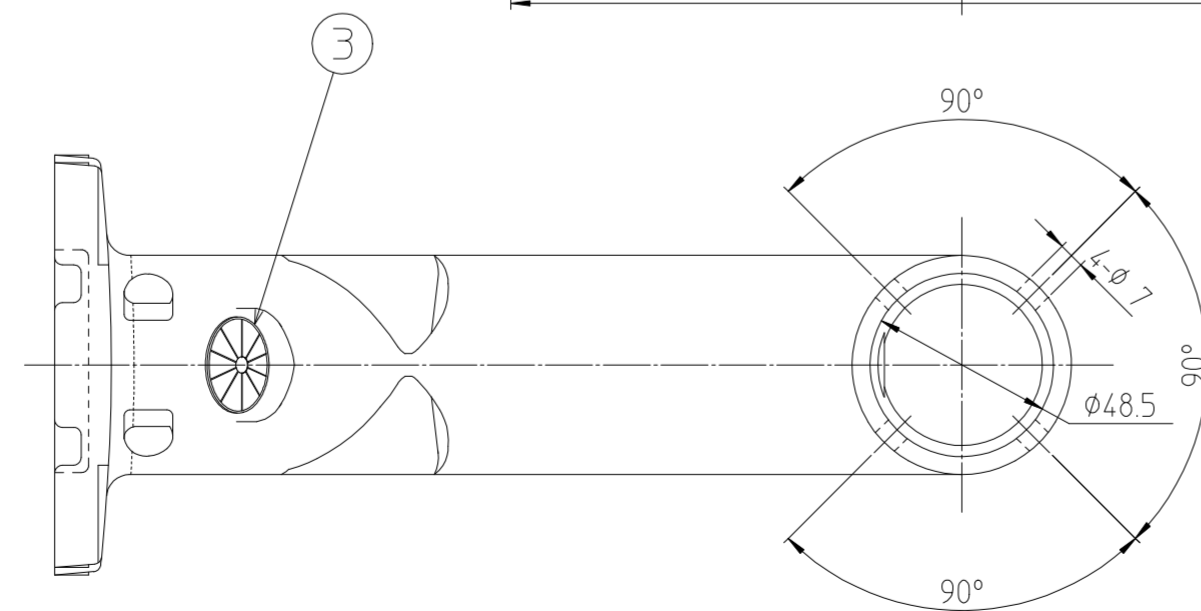


No.	Part Name	Material	Qty	Process・Remark
1	Wall Mount Bracket	Aluminium Alloy Diecasting	1	Baked on Coating (Paint color:Fine silver(901))
2	Bottom Cover	Stainless Steel t=1.2	1	---
3	Universal Bushing	Plastics (Black)	1	---
4	Camera Fixing Screw	Stainless Steel M6X16	4	Hexagon screw
5	Name Plate	Aluminium Vapor Deposition Film	1	Printing
6	Serial Label	Aluminium Vapor Deposition Film	1	Printing



重3v配布
CONTROLLED COPY
年月日
セキュリティ2部
技術部21