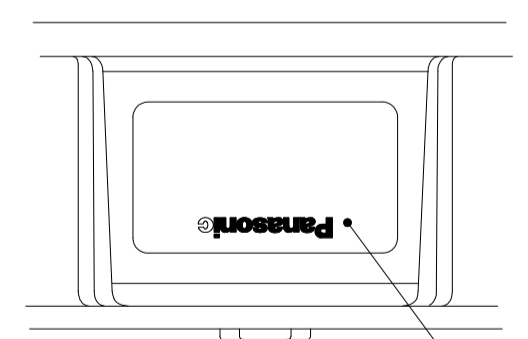
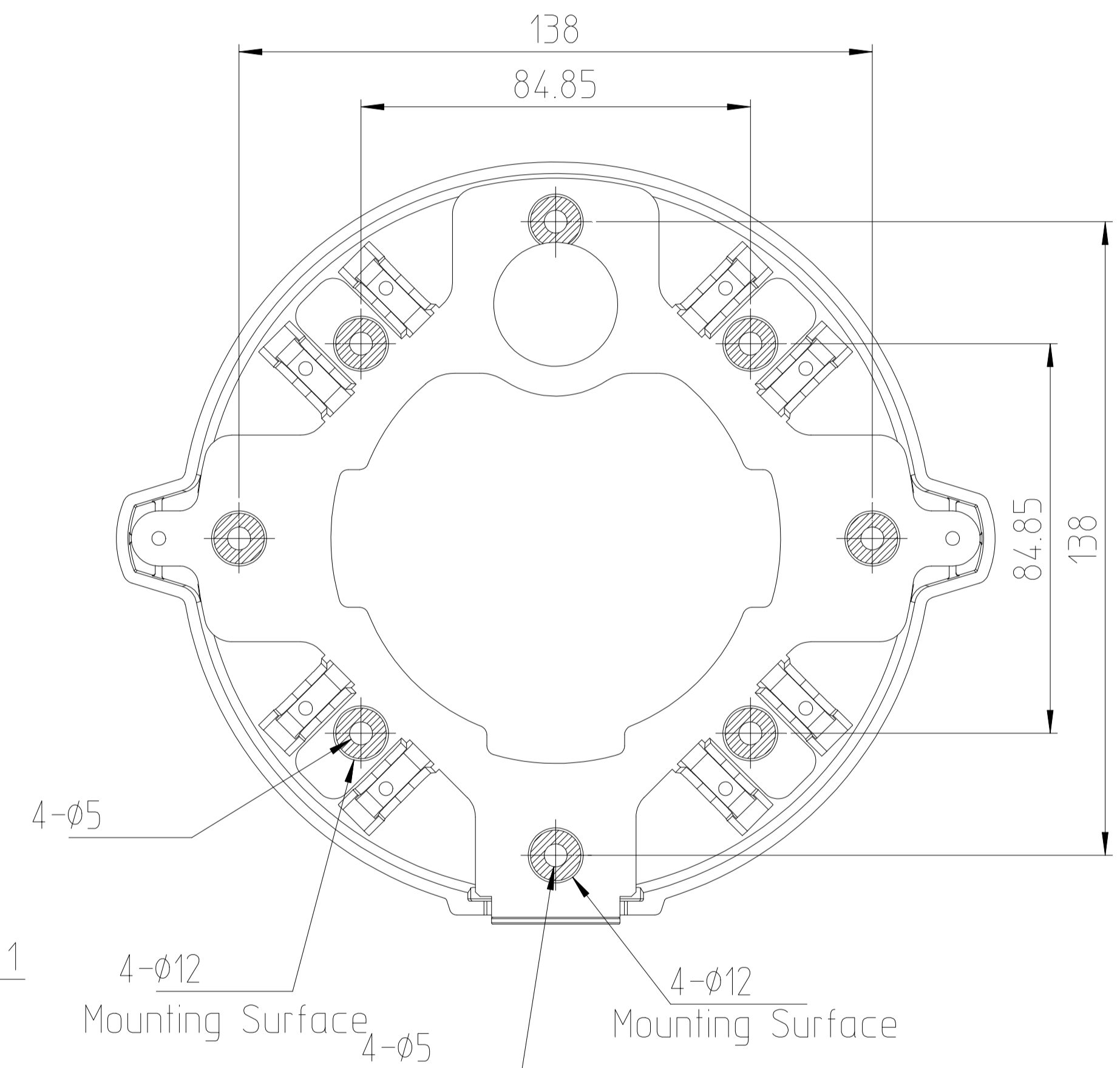
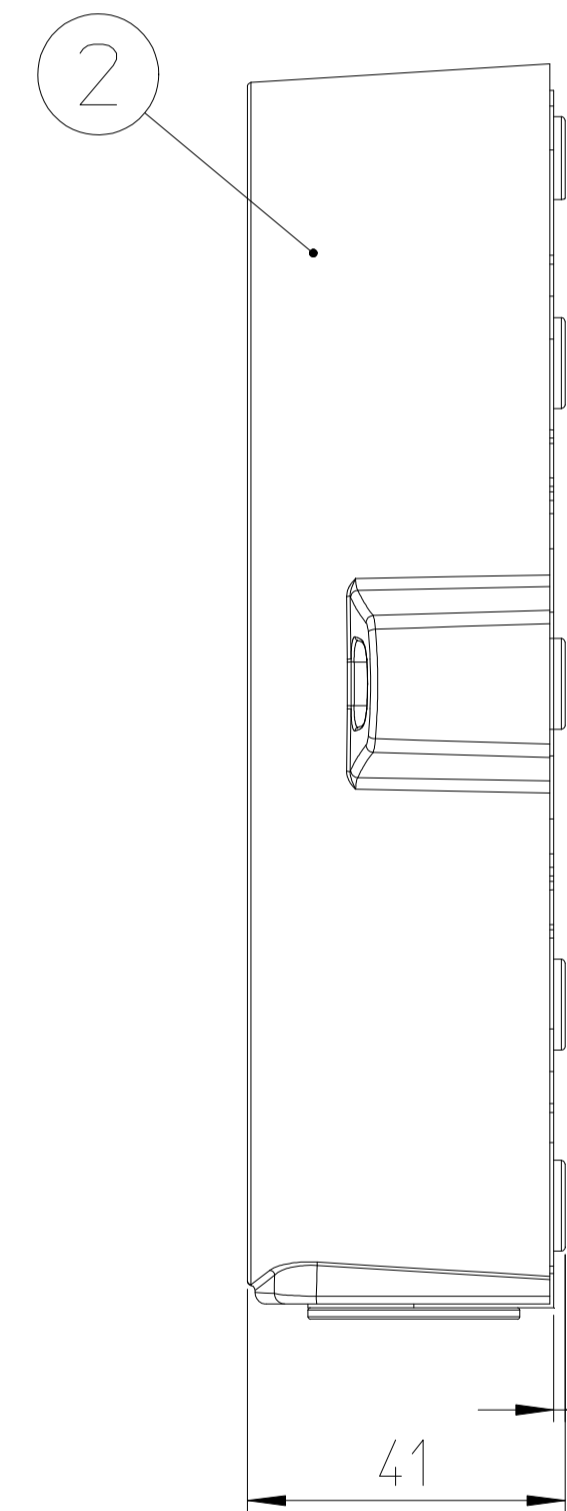
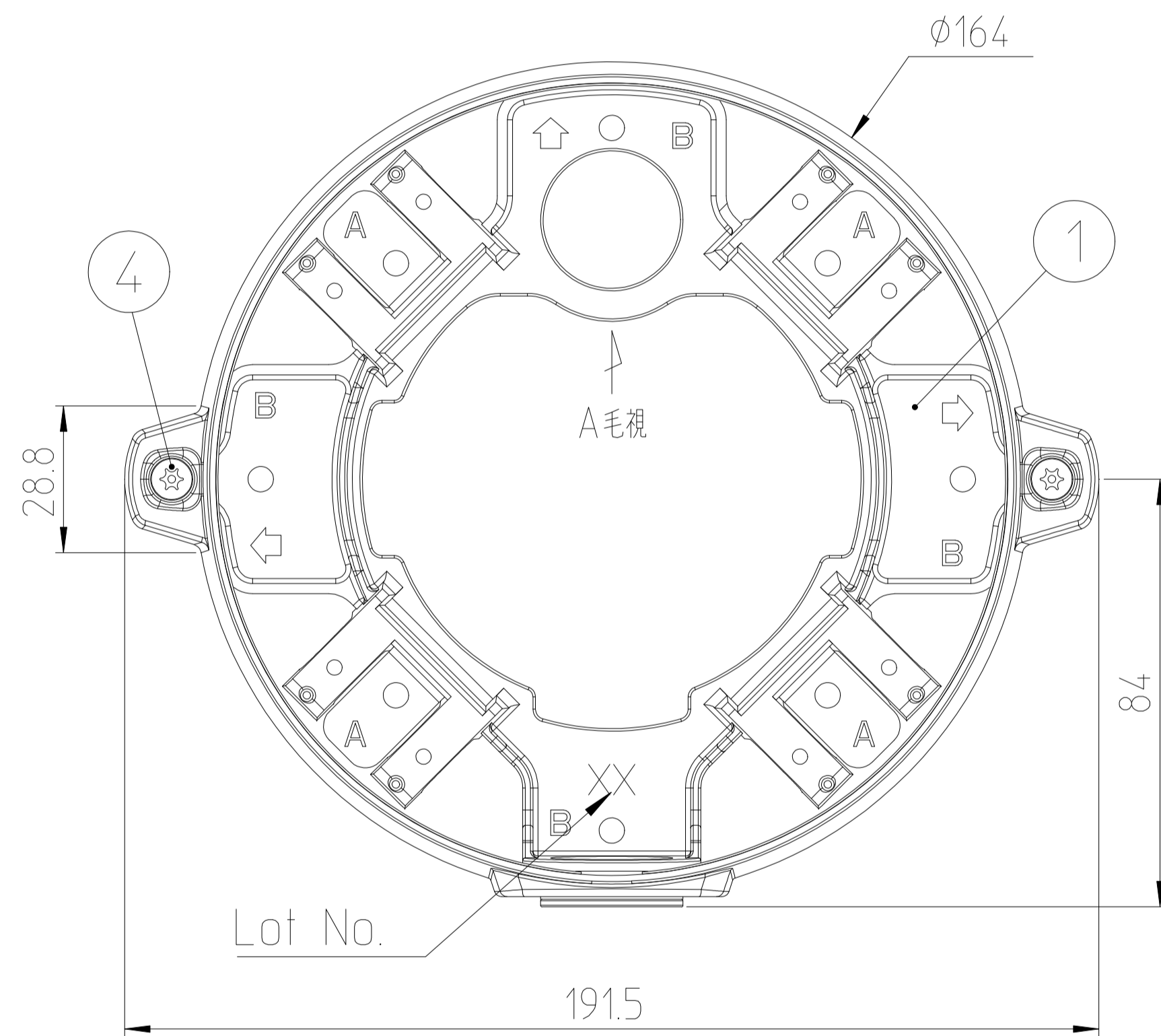
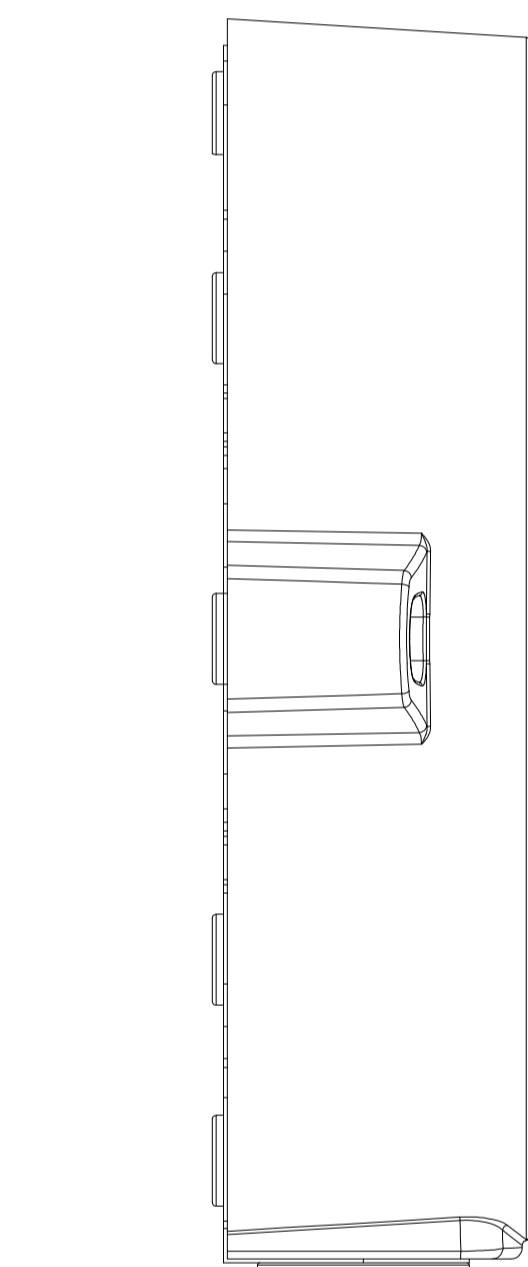
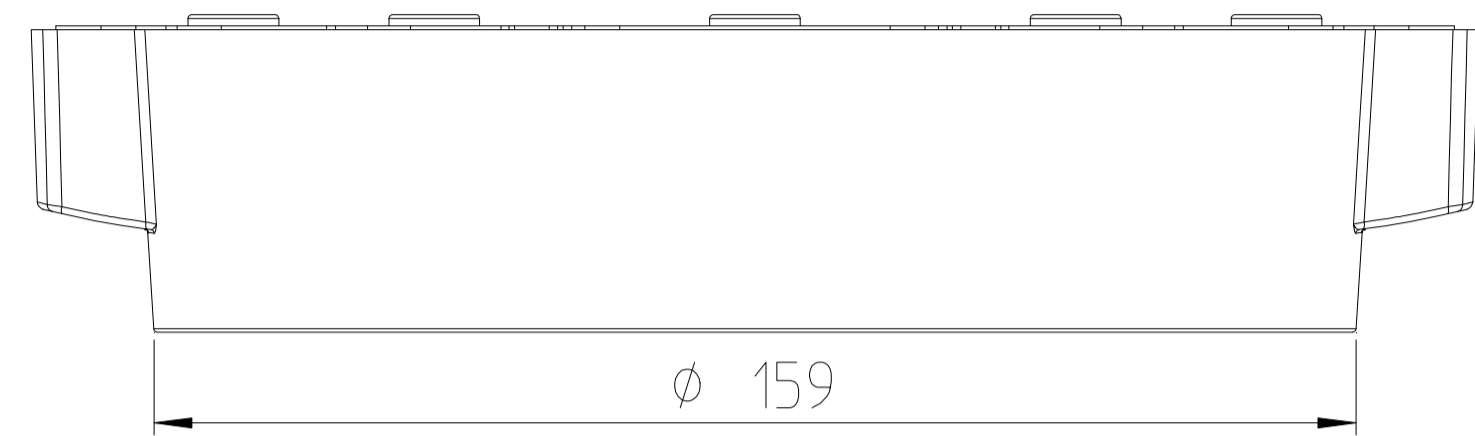
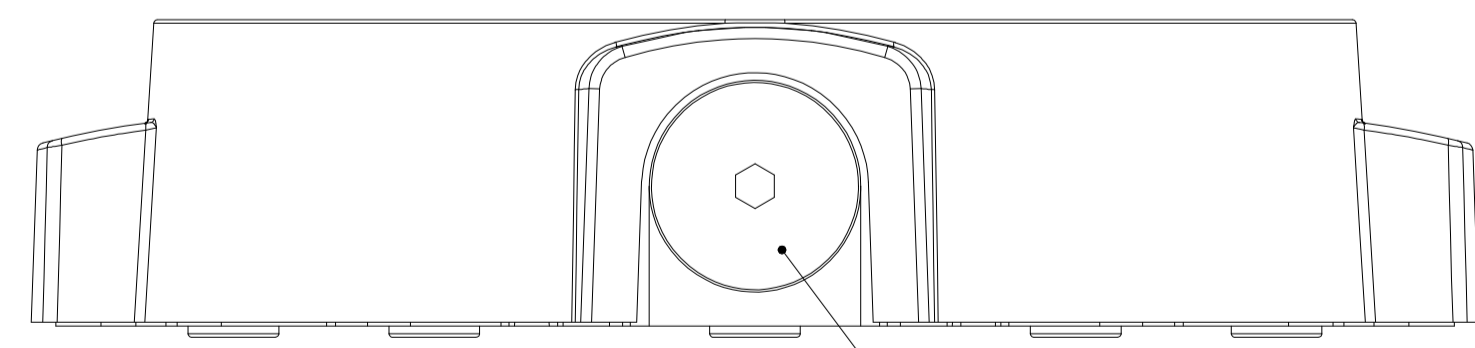


No.	Part Name	Material	Process · Remark
1	Mounting Base Angle	Aluminium Alloy Diecasting	—
2	Mounting Base Cover	Aluminium Alloy Diecasting	Melamine Resin Coating (Light Gray)
3	Pipe Hole Cap	Polyamide Resin	—
4	Mounting Base Cover Lock Screw	Stainless steel	—
5	Name Plate Label	Polyester Film	Printing



A毛視

5



3