

NTSC WV-NF284 (24 V AC, 12 V DC or PoE) PAL WV-NF284 (24 V AC, 12 V DC or PoE)



Color Fixed Dome Network Camera with MPEG-4 and JPEG dual streaming, PoE, and 3.6x Varifocal lens

Key Features

- MPEG-4/JPEG digital signal output at VGA image size with up to 30 ips
- MPEG-4 and JPEG dual stream output for simultaneous real time monitoring and high resolution recording
- Progressive output provides clear images, even when the subject is moving.
- High sensitivity: 1.5 lux at F1.3 (Wide)
- Electronic sensitivity enhancement: Auto (Up to 16x) / OFF
- Electronic shutter for anti flicker
- 2.8 ~ 10 mm, 3.6x Varifocal Auto Iris lens
- VMD (Video Motion Detector) with 4 programmable detection areas and 6 sensitivity levels
- Meta data for VMD is supplied to work with the WJ-ND400 playback VMD function.
- Monitor output for easier installation
- Up to 3x digital zoom controlled by browser
- Camera title display: Up to 20 alphanumeric characters on browser
- SD Memory card slot for alarm recording and backup upon network failure. Recorded data can be downloaded by using FTP command.
- Alarm sources including Terminal input, VMD and Panasonic alarm command can trigger actions including SD memory recording/FTP image transfer, E-mail notification, Alarm indication, Terminal output and Panasonic protocol output.
- Built-in microphone for audio (1-way)
- Built-in network interface (10Base-T / 100Base-TX)
- Power over Ethernet (PoE) IEEE 802.3af.
- Multiscreen: Images from 8 cameras can be displayed in 2 separate Quad screens (JPEG only). 20 characters camera title is available for each camera.
- FTP client function enables periodic image data transfer or transfer upon alarm.
- Alarm e-mail notification

- Max. bit rate/client (64 / 128 / 256 / 512 / 1,024 / 1,536 / 2,048 / 3,072 / 4,096 kbps) or frame rate priority mode (4,096 kbps / Unlimited) for MPEG-4 and Total bit rate control (64 / 128 / 256 / 512 / 1,024 / 2,048 / 4,096 kbps / Unlimited) allowing flexible network management.
- Supported Protocol: TCP/IP, UDP/IP, HTTP, RTSP, RTP, RTP/RTCP, FTP, SMTP, DHCP, DNS, DDNS, NTP, SNMP
- Internet mode: MPEG-4 images can be transmitted over HTTP protocol.
- Multi-language GUI and setup menu: English, French, Italian, Spanish, German, Russian (PAL) / English, French (NTSC) * Installation required except for English

Standard Accessories

- | | | | |
|---|------------------------------|---|------------------------------|
| • CD-ROM* | 1 pc. | • Dome cover fixing screw (tapping screw, nominal diameter: ø2.6 mm) | 2 pcs. (incl. a spare screw) |
| • Installation Guide (English version) | 1 pc. | The followings are for the installation. | |
| • Power cord plug | 1 pc. | • Monitor output (3.5 mm mini jack) - BNC conversion cable | 1 pc. |
| • External I/O terminals plug | 1 pc. | • Cable tie | 2 pcs.(incl. a spare tie) |
| • Code Label | 1 pc. | * Panasonic IP setting software, the viewer software and the operating instructions (PDF) are included on the CD-ROM. | |
| • Camera mount bracket | 1 pc. | | |
| • Camera fixing screw (M3 x 6) | 2 pcs. (incl. a spare screw) | | |

Optional Accessories

Smoke Dome Cover
WV-CF4S



Embedded Ceiling Mount Bracket
WV-Q167

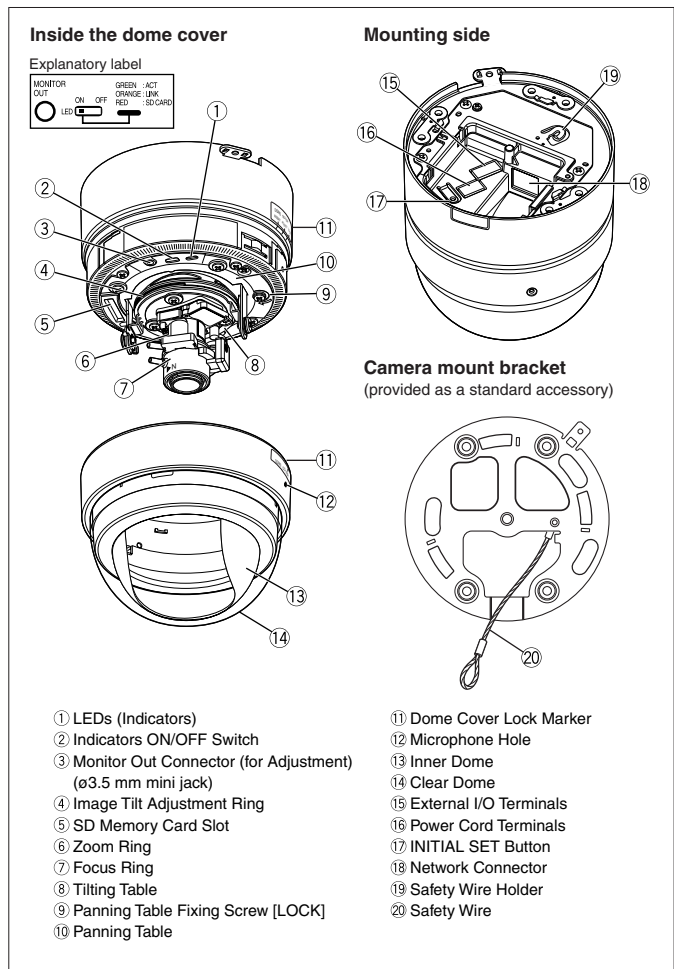


Specifications

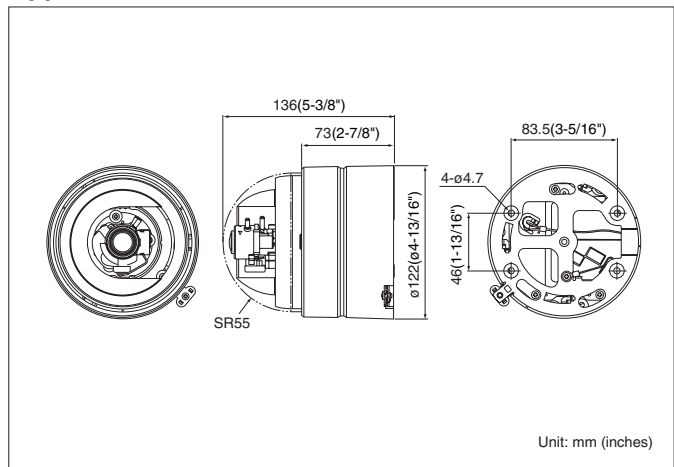
TV System	NTSC	PAL		
Camera	Image Sensor	4.5 mm (1/4 inch) progressive scan CCD		
	Effective Pixels	659 (H) x 494 (V)		
	Scanning Mode	Progressive scan		
	Scanning Area	3.59 (H) x 2.70 (V) mm		
	Minimum Illumination	Color (30IRE): 1.5 lux (Sens up: OFF), 0.09 lux (Sens up: 16x) at F1.3 (Wide)		
	White Balance	AUTO / HOLD		
	Light Control	ALC with ELC (1/30 ~ 1/100)		
	BLC	ON / OFF		
	AGC	Always ON		
	Electronic Shutter	For flicker less mode: 1/100 ~ 3/100 (Auto select)		
	Electronic Sensitivity UP	OFF / AUTO (2x, 4x, 8x, 16x)		
	Digital Zoom	1x, 1.5x, 2x, 2.5x, 3x, Controlled by browser GUI		
	Video Motion Detector	4 areas, 6 Sensitivity: High / Middle / Low		
	Back Focus Adjustment	Manual		
	Lens Mount	Original		
Synchronization	Internal			
Lens	Focal Length	2.8 ~ 10 mm, 3.6x varifocal		
	Angular Field of View	H : 20.8° (Tele) ~ 73.5° (Wide) V : 15.6° (Tele) ~ 54.4° (Wide)		
	Maximum Aperture Ratio	1 : 1.3 (Wide) ~ 1 : 3.1 (Tele)		
	Focusing Range	1.2 m (3.9 ft.) ~ ∞		
	Pan and Tilt	Panning Range	180° (clockwise), 140° (counterclockwise)	
Tilting Range		±75°, Image tilt adjustment range: ±100°		
Browser GUI	Camera Control	Brightness, AUX ON/OFF		
	Display Mode	Spot, Quad: Image from 8 cameras can be displayed in 2 different Quad screens (JPEG only). 20 characters camera title available.		
	Digital Zoom	1x, 1.5x, 2x, 2.5x, 3x, zoom by camera		
	Camera Title	Up to 20 alphanumeric characters		
	Clock Display	Time: 12H / 24H, Date: 5 formats on the browser, Summer time (Manual)		
	Alarm Control	Reset		
	One Shot Capture	A still picture is displayed on a newly opened window.		
	Audio	ON / OFF		
	GUI / Setup Menu Language	English, French (Installation required for French)	English, French, Italian, Spanish, German, Russian (Installation required except for English)	
	System Log	Up to 100 (Internal), Up to 4,000 (SD memory) error logs		
	Supported OS	Microsoft® Windows Vista® Business 32 bit, Microsoft® Windows® XP Home/Professional SP2, Microsoft® Windows® 2000 Professional SP4 The language of the OS must be same as selected GUI language.		
	Supported Browser	Windows® Internet Explorer® 7.0 (Microsoft® Windows Vista® Business 32 bit), Microsoft® Internet Explorer® 6.0 SP2 (Microsoft® Windows® XP Home/Professional SP2), Microsoft® Internet Explorer® 6.0 SP1 (Microsoft® Windows® 2000 Professional SP4)		
	Network	Network IF	10Base-T / 100Base-TX, RJ45 connector IEEE 802.3af. PoE compatible	
		Image Resolution	VGA (640 x 480) / QVGA (320 x 240)	
		Image Compression	MPEG-4: Image quality: LOW / NORMAL / FINE, Transmission type: UNICAST / MULTICAST JPEG: Image quality: 10 steps, Transmission type: PULL / PUSH MPEG-4 and JPEG dual streaming, JPEG multi-resolution supported.	
Image Refresh Rate		0.1 / 0.2 / 0.33 / 0.5 / 1 / 2 / 3 / 5 / 6 / 10 / 15 / 30 ips (Max. rate will be 5 ips-VGA, 10 ips-QVGA when transmitting JPEG and MPEG-4 simultaneously)		
Audio Compression		G.726 (ADPCM) 32 kbps / 16 kbps		
Total Bit Rate		64 / 128 / 256 / 512 / 1,024 / 2,048 / 4,096 kbps / unlimited		
Max. Bit Rate / Client (MPEG-4)		64 / 128 / 256 / 512 / 1,024 / 1,536 / 2,048 / 3,072 / 4,096 kbps or Frame rate priority (4,096 kbps / Unlimited)		
Supported Protocol		TCP/IP, UDP/IP, HTTP, RTSP, RTP, RTP/RTCP, FTP, SMTP, DHCP, DNS, DDNS, NTP, SNMP		
FTP Client		Alarm image transfer, FTP Periodic transfer		
No. of Simultaneous Users		8 (Depends on network conditions)		
SD Memory Card (Option)		Alarm REC / Backup upon network failure. Compatible SD card: Panasonic 64 MB, 128 MB, 256 MB, 512 MB, 1 GB, 2 GB model		
Alarm E-mail		Up to 4 e-mail addresses		
User Registration		Up to 16 users		
User/Host Level		3 Levels: Administrator, Camera control, Live only		
Security Measures		User authentication (ID 32 digit, PW 32 digit), Host authentication (IP address)		
Alarm	Alarm Source	VMD, Command alarm, Terminal input		
	Alarm Actions	SD memory recording/FTP image transfer, e-mail notification, Terminal output, Indication on browser, Panasonic protocol output		
Input / Output	Monitor Output	1.0 V [p-p] / 75 Ω / NTSC composite signal / ø3.5 mm mini jack	1.0 V [p-p] / 75 Ω, PAL composite, ø3.5 mm mini jack	
	External I/O Terminals	1x Alarm input / 1x Alarm output, 1x AUX output		
General	Safety/EMC Standard	UL (6500), FCC (Part15 ClassA), CE (EN55022 ClassB, EN55024), C-UL (CAN/CSA C22.2 No.E60065), GOST (GOST R 51558) DOC (ICES003 ClassA)		
	Power Source / Consumption	24 V AC 50/60 Hz: 4.0 W, 12 V DC: 350 mA, PoE (IEEE802.3af): 4.0 W (Class 2 device)		
	Ambient Operating Temperature	-10 °C ~ +50 °C (14 °F ~ 122 °F)		
	Ambient Operating Humidity	90 % or less (without condensation)		
	Dimensions	ø122 mm x 136 mm (ø4-13/16" x 5-3/8")		
	Weight	Approx. 640 g (1.41 lbs.)		

* Flicker may appear when the object is darker than specified level.

Part Names and Functions



Appearance



Trademarks and registered trademarks

– Microsoft, and Windows are registered trademarks of Microsoft Corporation in the U.S. and other countries.
– "Super Dynamic", "SDIII", "SDIII" and "i-Pro" logos are trademarks or registered trademarks of Panasonic Corporation.

Important

– Safety Precaution: carefully read the operating instructions and installation manual before using this product.
– Panasonic can not be responsible for network performance and/or other manufacturer products that reside on the network.

- All TV pictures are simulated.
- Weights and dimensions are approximate.
- Specifications are subject to change without notice.
- These products may be subject to export control regulations.
- All product pictures are NTSC models.

DISTRIBUTED BY:

Panasonic

<http://panasonic.net/security/>

Printed in Japan (2A-013BL)