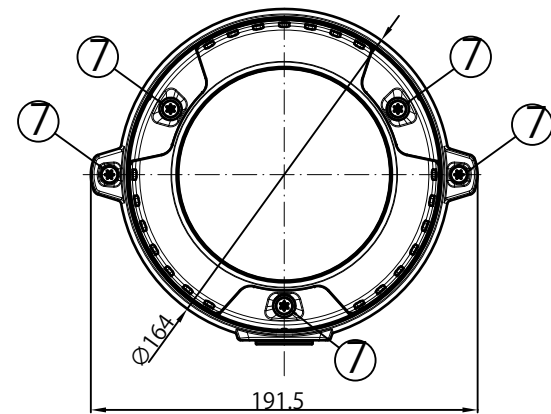
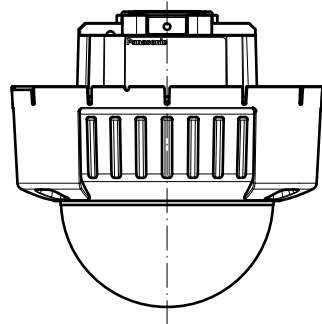
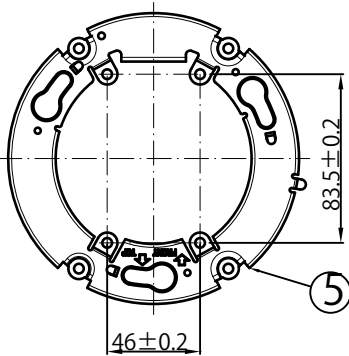
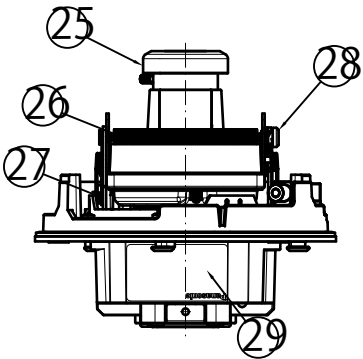
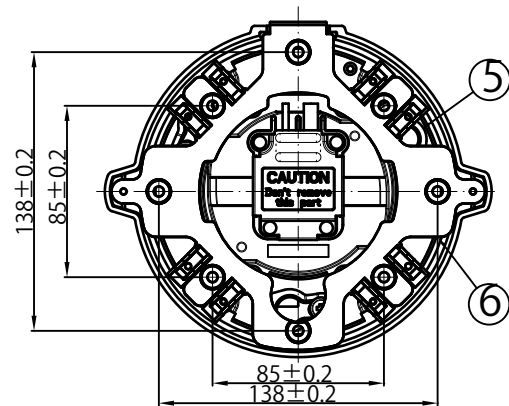
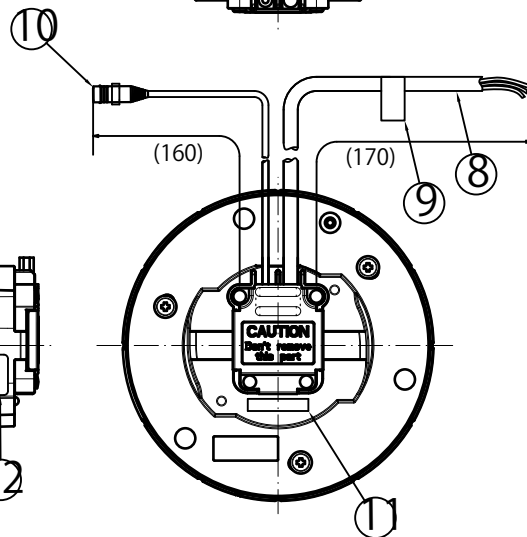
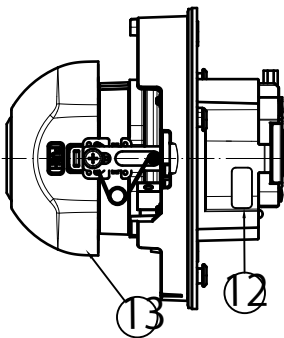
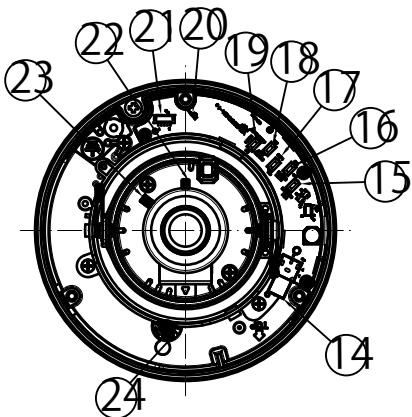
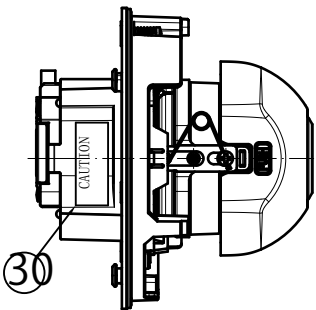
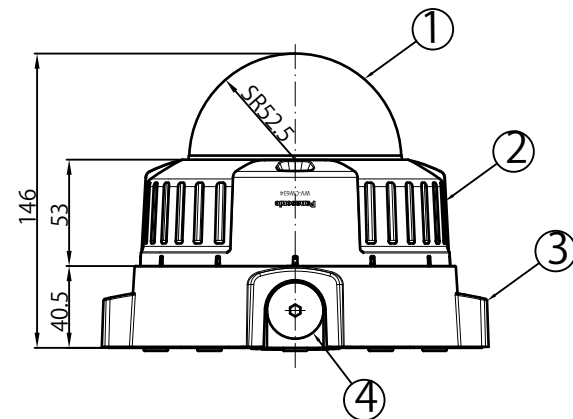
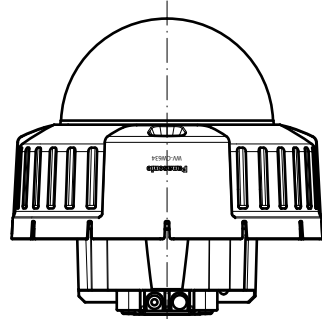
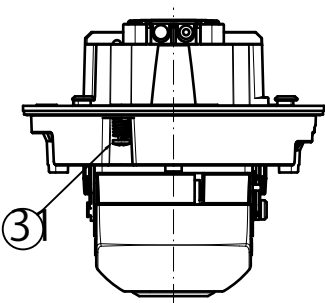


Top-View	Projected area
Side-View	0.021 (m ²)



31	Camera Fixing		
30	Attention Label	Polyester FILM	Printing
29	Name Plate	Polyester FILM	Printing
28	Warning Label	Polyester FILM	Printing
27	Warning Label	Polyester FILM	Printing
26	Tilt Adjusting Table		
25	Lens		
24	Focusing Lock Screw		
23	Focus Lock Knob		
22	Zoom Lock Knob		
21	Heater		
20	Alert Operation Indicator		
19	Warning Button		
18	Down		
17	Button (DOWN, A8F1)		
16	Button (UP)		
15	Button (LEFT, A8F2)		
14	Button (RIGHT, A8F3)		
13	Power Dome (A8F4)	Black	
12	CE Address Label	Polyester FILM	Printing
11	Serial Number Label	Polyester FILM	Printing
10	Video output		
9	Power cord Label		
8	Power cord		
7	Enclosure Fixing		
6	Mounting Base	Aluminume Die Casting	
5	Attachment Plate	US304	
4	Pipe Hole	PA	
3	Cap	Aluminume Die Casting	Shielding Light
2	Enclosure	Aluminume Die Casting	Shielding Light
1	Dome	PC (Clear)	Shielding Light
No.	Cover Part Name	Material	Process/Remark