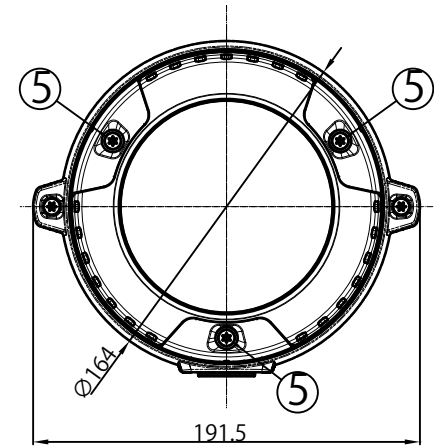
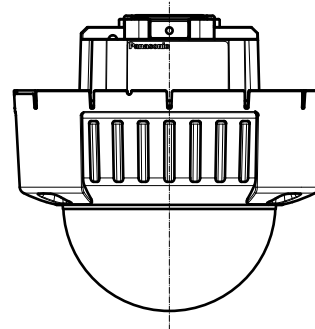
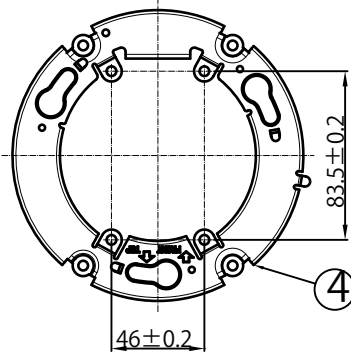
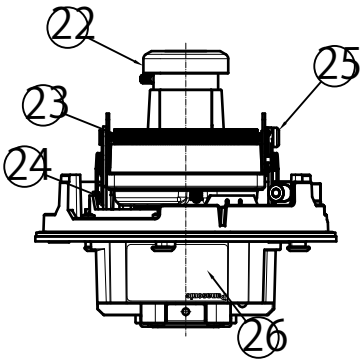
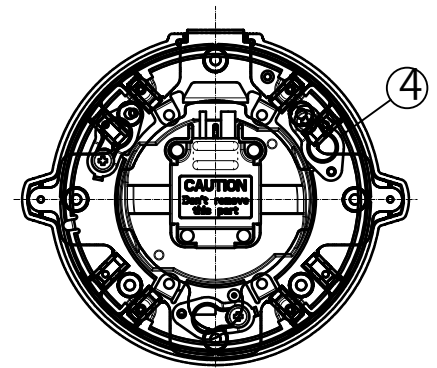
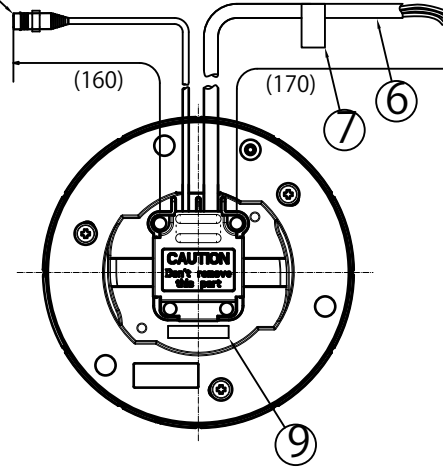
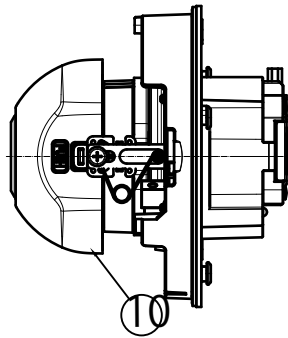
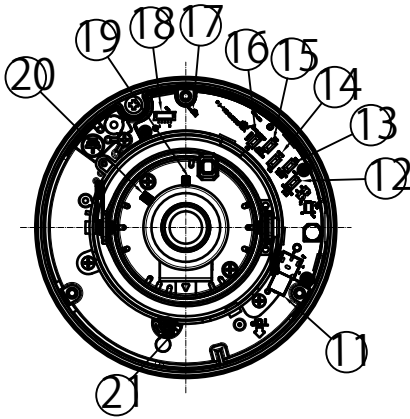
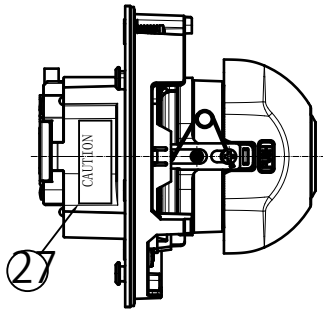
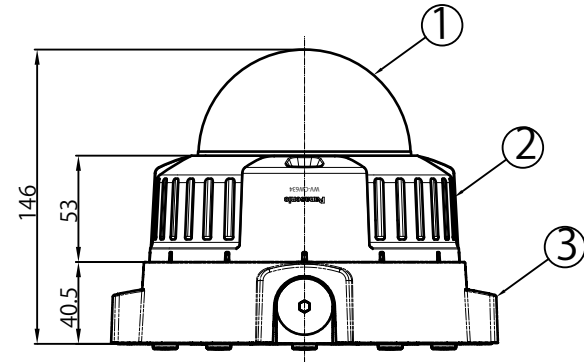
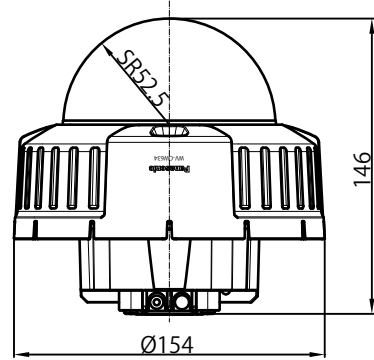
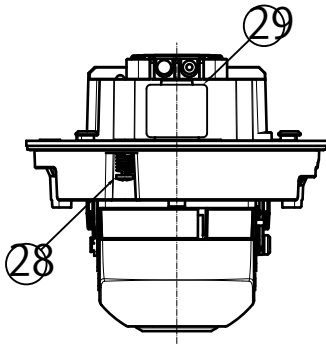


	Projected area
Top-View	0.019
Side-View	0.013 (m ²)



29	FCC Label	Polyester FILM	Printing
28	Camera Fixing		
27	Attention Label	Polyester FILM	Printing
26	Name Plate	Polyester FILM	Printing
25	Winding Lock Screw		
24	Panning Table		
23	Tilt Adjusting Table		
22	Lens		
21	Panning Lock Screw		
20	Focus Lock Knob		
19	Zoom Lock Knob		
18	Heater		
17	AFB Operation Indicator		
16	Setting Button		
15	Down		
14	Button (DOWN), ABF1		
13	Button (UP)		
12	Button (LEFT), AFB1		
11	Button (RIGHT), AFB1		
10	Button (AF), AFB1		
9	Serial Number Label	Polyester FILM	Black Printing
8	Video output		
7	Power cord Label		
6	Power cord		
5	Enclosure Fixing		
4	Attachment Plate	US304	
3	WV-C115A	Aluminum Die Casting	Light
2	Enclosure	Aluminum Die Casting	Light
1	Dome	PC (Clear)	
No.	Part Name	Material	Process/Remark