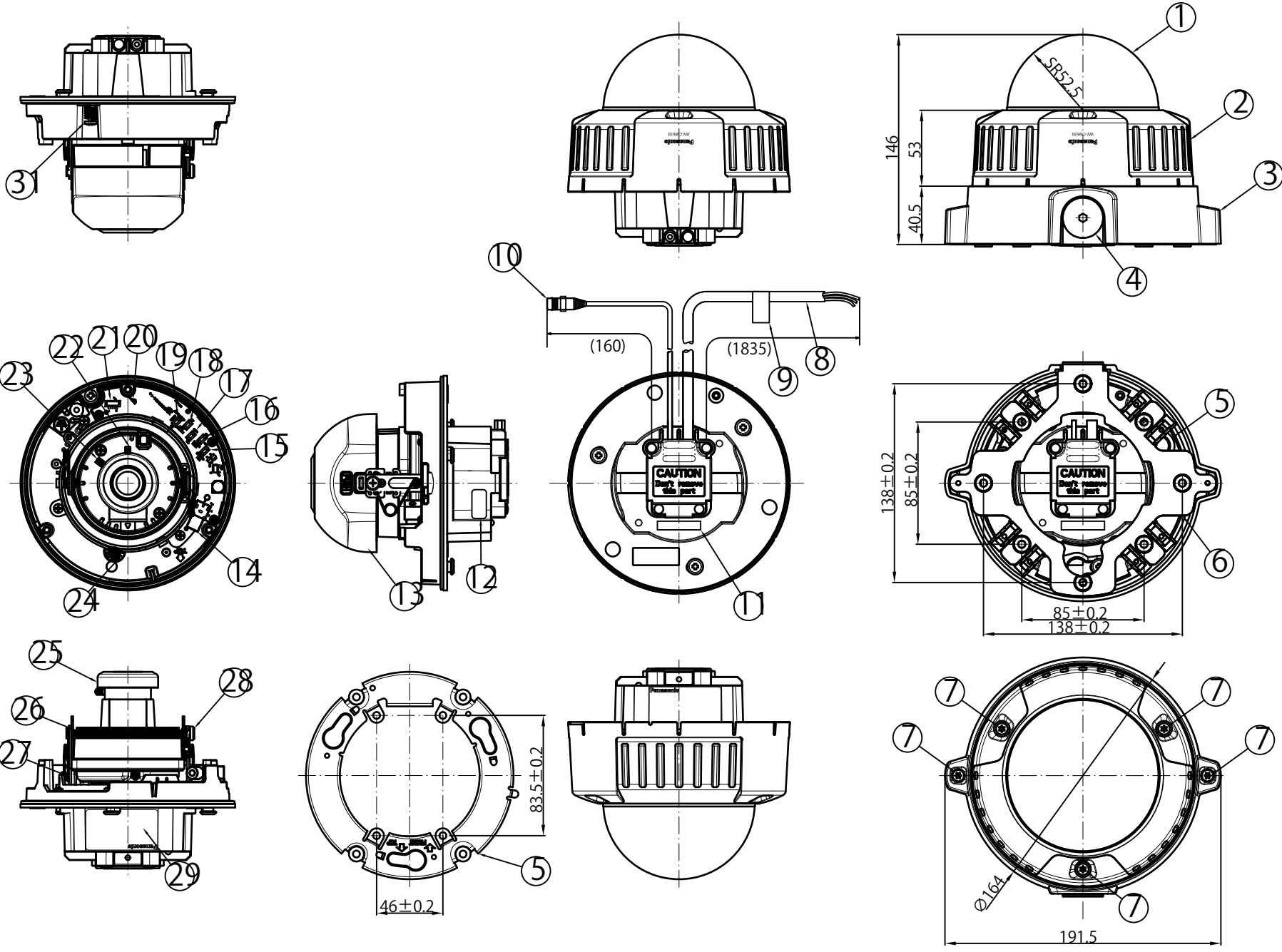


Top-View	0.021	Projected area
Side-View	0.020 (m ²)	



31	Camera Fixing		
30	Attention Label	Polyester FILM	Printing
29	Name Plate	Polyester FILM	Printing
28	Ring Lock Screw		
27	Mounting Table		
26	Tilt Adjusting Table		
25	Lens		
24	Zooming Lock Screw		
23	Focus Lock Knob		
22	Zoom Lock Knob		
21	Heater		
20	Operation Indicator		
19	Setting Button		
18	Down		
17	Button (DOWN) [ABF1]		
16	Button (UP)		
15	Button (LEFT) [ANARI]		
14	Button (RIGHT) [ANARI]		
13	Printed Circuit Board (PCB)		
12	CE Address Label	Polyester FILM	Black Printing
11	Serial Number Label	Polyester FILM	Printing
10	Video output		
9	Power cord Label		
8	Power cord		
7	Enclosure Fixing		
6	Mounting Base	Aluminum Die Casting	
5	Attachment Plate	US304	
4	Pipe Hole	PA	
3	Bar	Aluminum Die Casting	Light Gray
2	Enclosure	Aluminum Die Casting	Light Gray
1	Bores	PC (Clear)	
No.	Part Name	Material	Process/Remark