

NTSC WV-CW504S (24 V AC or 12 V DC)
 PAL WV-CW500S (220 ~ 240 V AC)
 WV-CW504F (24 V AC or 12 V DC)
 WV-CW504S (24 V AC or 12 V DC)



Super Dynamic 5 Vandal Resistant Fixed Dome Camera with ABS (Adaptive Black Stretch), i-VMD (intelligent-Video Motion Detection) and ABF (Auto Back Focus)

Key Features

- **Super Dynamic 5** delivers Superior image by fusion of Super Dynamic, ABS (Adaptive Black Stretch) and i-VMD (intelligent-Video Motion Detection) intelligence technology.
- High resolution: 650 TV lines typical (Color mode), 700 TV lines minimum (B/W mode)
- High sensitivity with Day/Night function: 0.1 lux (Color), 0.01 lux (B/W) at F1.4 (Wide). IR cut filter switches on/off to enhance the sensitivity in B/W mode.
- i-VMD (intelligent-Video Motion Detection) including video motion detection, object detection (removal and left behind), scene change detection when lens is covered, spray painted, removed or defocused
- ABF (Auto Back Focus) ensures easy installation and stable focus in both color and B/W modes.
- 3-dimensional color conversion function for natural color reproduction even in lower color temperature situation
- Adaptive Digital Noise Reduction: Integration of 2D-DNR and 3D-DNR ensures noise reduction in various conditions.
- Electronic sensitivity enhancement: Auto (Up to 32x) / Manual (Up to 32x)
- Electronic shutter from 1/100 (NTSC), 1/120 (PAL) to 1/10,000 sec.
- 3.8 ~ 8.0 mm, 2x Varifocal Auto Iris lens with 2x digital zoom
- Auto Image Stabilizer for applications where vibration or wind is a concern
- Internal / Line-lock / Multiplexed Vertical Drive (VD2) synchronization
- Over the coaxial cable data communication
- 16 alphanumeric camera title display
- Multi language: English, French, Italian, Spanish, German, Russian, Japanese
- IP66 rated water and dust resistant. Compatible with IEC60529 measurement standard.
- Dehumidification device for use in various weather conditions
- Vandal resistant mechanism for high reliability

- Monitor output for easier installation
- 3-way hinge (horizontal, vertical and swivel rotation) for easy installation
- 2 pcs. mounting bracket structure for easy cable connection
- Various mounting options: Flush mount (F type), Surface mount (S type), Embedded ceiling mount (with optional WV-Q169)
- Optional heater maintains operating temperature $-30^{\circ}\text{C} \sim +50^{\circ}\text{C}$ ($-22^{\circ}\text{F} \sim 122^{\circ}\text{F}$)

Standard Accessories

- | | |
|--|---|
| <ul style="list-style-type: none"> • CD-ROM (including Operating Instructions) ... 1 pc. • Installation Guide 1 pc. • Camera Mount Bracket (for WV-CW504S/CW500S) 1 pc. | <ul style="list-style-type: none"> • Fixing Screws for Camera Mount Bracket (M4 x 8) (for WV-CW504S/CW500S) 5 pcs. • Camera Attachment 1 pc. • Bit for Tamperproof Screw 1 pc. • Butyl Tape 1 pc. |
|--|---|

Optional Accessories

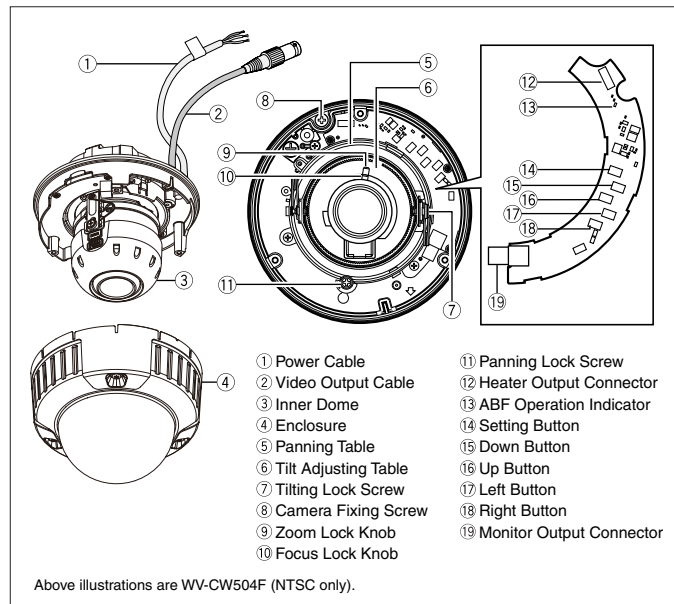
| | |
|--|--|
| <p>Mount Bracket for WV-CW504F WV-Q115</p> | <p>Heater Unit WV-CW5H</p> |
| <p>Embedded Ceiling Mount Bracket WV-Q169</p> | <p>Smoke Dome Cover WV-CW4S</p> |

Specifications

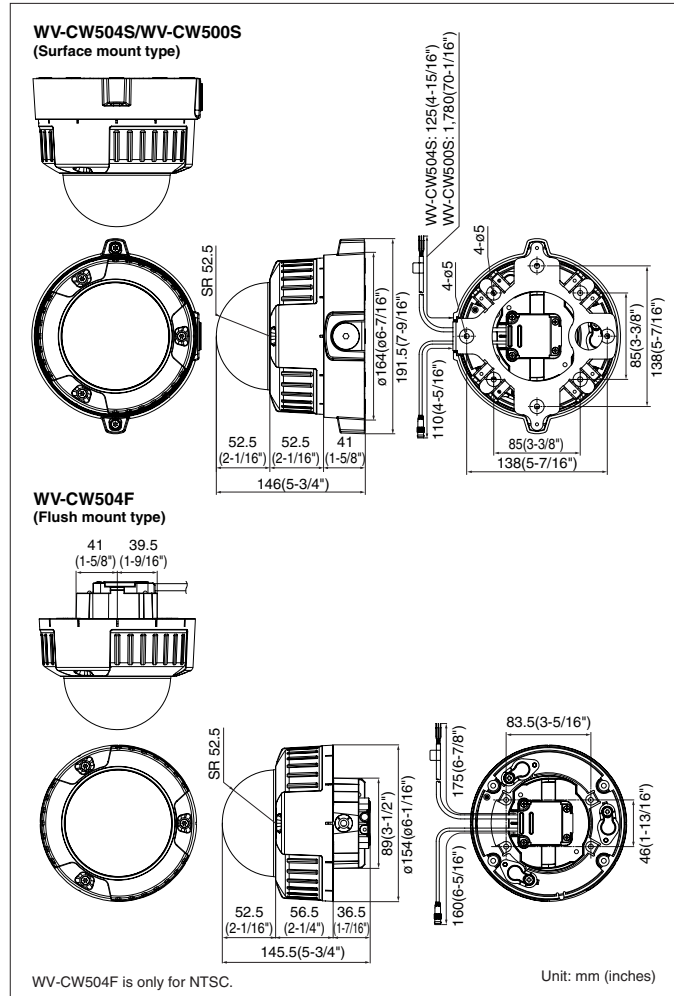
| TV System | NTSC | PAL |
|--|--|--|
| Type | WV-CW504S: Surface mount type | |
| | WV-CW504F: Flush mount type | WV-CW500S: Surface mount type |
| Camera | 1/3 inch interline transfer CCD | |
| Image Sensor | 976 (H) x 494 (V) | |
| Effective Pixels | 976 (H) x 582 (V) | |
| Scanning Mode | 2:1 interlace scan | |
| Scanning Area | 4.8 (H) x 3.6 (V) mm | |
| Scanning Frequency | Horizontal: 15.734 kHz Vertical: 59.94 Hz | Horizontal: 15.625 kHz Vertical: 50 Hz |
| Scanning Line | 525 lines | 625 lines |
| Horizontal Resolution | 650 TV lines typical at color mode, 700 TV lines at B/W mode | |
| Minimum Illumination *1 | Color: 0.1 lux (SENS UP: OFF), 0.003 lux*2 (SENS UP: 32x) at F1.4 B/W: 0.01 lux (SENS UP: OFF), 0.0003 lux*2 (SENS UP: 32x) at F1.4 | |
| Signal-to-Noise Ratio | 50 dB (AGC Off, Weight On) | |
| White Balance | ATW1 (2,700 - 6,000 K), ATW2 (2,000 - 6,000 K), or AWC (2,000 - 10,000 K) | |
| Light Control | ALC / ALC+ | |
| AGC | ON (HIGH / MID / LOW) / OFF | |
| Super Dynamic 5 | ON / ON (i-VMD) / OFF (with BLC masking 8 x 6 areas) | |
| Dynamic Range | 52 dB typical (Super Dynamic 5 ON) | 54 dB typical (Super Dynamic 5 ON) |
| Electronic Shutter | OFF (1/60), 1/100, 1/250, 1/500, 1/1,000, 1/2,000, 1/4,000, 1/10,000 s | OFF (1/50), 1/120, 1/250, 1/500, 1/1,000, 1/2,000, 1/4,000, 1/10,000 s |
| Electronic Sensitivity UP | OFF / AUTO (2x, 4x, 6x, 10x, 16x, 32x) / FIX (2x, 4x, 6x, 10x, 16x, 32x) | |
| Digital Noise Reduction | High / Low | |
| Black and White Mode | Mode: AUTO1 / AUTO2 / ON / OFF | |
| Digital Zoom | ON (up to 2x) / OFF | |
| Scene File | 2 patterns | |
| i-VMD (intelligent-Video Motion Detection) | Video Motion Detection, Object Detection (Removal and Left Behind), Scene Change Detection | |
| Privacy Zone | ON (Gray / Mosaic) or OFF | |
| Auto Image Stabilizer | ON / OFF | |
| Camera Title | Up to 16 characters | |
| Lens Mount | CS-mount | |
| Back Focus Adjustment | ABF (AUTO / PRESET / FIX), MANUAL-ADJ | |
| Synchronization | Internal (INT), Multiplexed Vertical Drive (VD2), Line-Lock (LL) | |
| Focal Length | 3.8 ~ 8.0 mm, 2x varifocal | |
| Angular Field of View | H: 35.6° (Tele) ~ 73.6° (Wide) V: 26.6° (Tele) ~ 53.4° (Wide) | |
| Maximum Aperture Ratio | 1 : 1.4 (Wide) ~ 1 : 1.8 (Tele) | |
| Focusing Range | 1.2 m (3.9 ft.) ~ ∞ | |
| ALC Drive | DC | |
| Panning Range | ±170° | |
| Tilting Range | ±75° | |
| Azimuth Range | ±100° | |
| Input / Output | Video Output 1.0 V [P-P] / NTSC composite 75 Ω / BNC Connector Multiplexed VD2 and control data capable | 1.0 V [P-P] / PAL composite 75 Ω / BNC Connector Multiplexed VD2 and control data capable |
| | Monitor Output 1.0 V [P-P] / NTSC composite 75 Ω / RCA Jack | 1.0 V [P-P] / PAL composite 75 Ω / RCA Jack |
| General | Dehumidification Device Yes | |
| | Setup Method OSD setup menu | |
| | Language English, Russian (For setup menu and camera title), German, French, Italian, Spanish (For setup menu), Japanese (Only for camera title. Setup menu is in English.) | |
| | Safety/EMC Standard UL (UL60065), FCC (Part15 ClassA), CE (EN60065, EN55022 ClassB, EN55024) C-UL (CAN/CSA C22.2 No.60065), DOC (ICES003 ClassA) | |
| | Power Source and Power Consumption 24 V AC 60 Hz, 3.4 W, 14 W*3 12 V DC, 280 mA*4 | WV-CW500S: 220 - 240 V AC 50 Hz, 5.1 W, 16 W*3 WV-CW504S: 24 V AC 50 Hz, 3.4 W, 14 W*3 12 V DC, 280 mA*4 |
| | Ambient Operating Temperature -10 °C ~ +50 °C (14 °F ~ 122 °F) -30 °C ~ +50 °C (-22 °F ~ 122 °F)*3 | |
| | Ambient Operating Humidity 90 % or less (without condensation) | |
| | Water and Dust Resistance IP66, IEC60529 measurement standard compatible | |
| | Impact Protection IEC 60068-2-75 test Eh, 50J | |
| | Dimensions WV-CW504S: ø164 mm x 146 mm (H), 191.5 mm (W) (Base Cover) ø6-7/16" x 5-3/4" (H), 7-9/16" (W) (Base Cover) WV-CW504F: ø154 mm x 145.5 mm (H) ø6-1/16" x 5-3/4" (H) WV-CW500S: ø164 mm x 146 mm (H), 191.5 mm (W) (Base Cover) ø6-7/16" x 5-3/4" (H), 7-9/16" (W) (Base Cover) | |
| | Weight (approx.) WV-CW504S: 1.70 kg (3.74 lbs.) WV-CW504F: 1.35 kg (2.97 lbs.) WV-CW500S: 1.85 kg (4.07 lbs.) | |

*1 With standard Clear Dome Cover *2 Estimated figure *3 With optional Heater Unit WV-CW5H
*4 Optional Heater Unit WV-CW5H cannot be used under 12 V DC operation

Part Names and Functions



Appearance



Trademarks and registered trademarks

- "Super Dynamic", "SDII", "SDIII", "SD5", "SD5Link" and "i-Pro" logos are trademarks or registered trademarks of Panasonic Corporation.

Important

- Safety Precaution: carefully read the operating instructions and installation manual before using this product.

DISTRIBUTED BY:

Panasonic

<http://panasonic.net/security/>

Printed in Japan (2A-044CL)

- All TV pictures are simulated.
- Weights and dimensions are approximate.
- Specifications are subject to change without notice.
- These products may be subject to export control regulations.
- All product pictures are NTSC models.