

Accurate and intuitive camera control at your fingertips

WV-CU980 is a compact Ethernet system controller with a 3D joystick providing ease and direct control for video security systems. The 3D joystick is separated from the main unit to be placed freely for left/right handed operators and the adoption of ergonomic design makes it less stressful for long-hour operations.

Supports direct monitoring screen switching, record and playback, PTZ camera control and many other features to meet large-scale system, multi-site system application requirements.

Compact design & installation in desired location

- The main unit and joystick can be separated, enabling operation with either the main unit or the joystick placed on the control table.
- An Ethernet connection is supported, so it can be used even away from a PC and installed in a desired location.

Intuitive operation

- The joystick is used to operate PTZ cameras intuitively and move them as intended for easy tracking of the target.
- An ergonomic key layout and angle enables ease of operation where blind touch input is possible and improves the quality of surveillance work.
- Making the unit and joystick separable achieves efficiency in operations regardless of which hand is dominant.

Integrated System Control

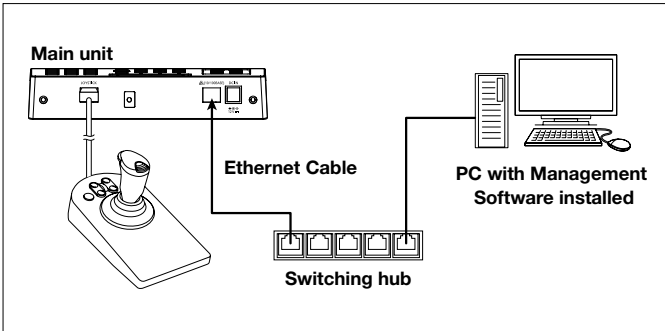
- Detached joystick controls Pan/Tilt and Zoom of camera, allowing seamless tracking.
- The main unit has dedicated buttons such as Record and Play to control the recorder smoothly.



Specifications

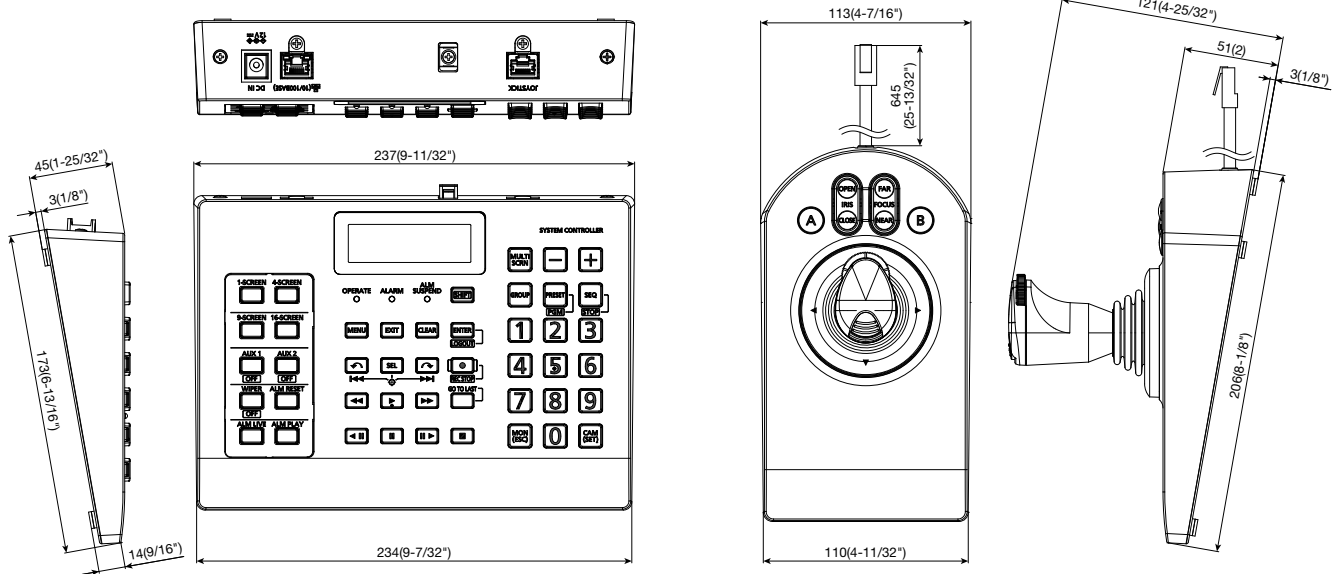
Monitoring control	Switch the pattern of the screen, Sequence, group, 1 screen, 4 screens, 9 screens, 16 screens
Camera Control	Focus, Iris, Zoom, Pan, Tilt, Preset, Aux(x2), Wiper
Recorder Control	REC, PLAY, Pause, Stop, FF, FR, Prev Record, Next Record, Prev Image, Next Image, Go to Last
Supported Management Software	WV-ASM300, Video Insight VMS Software
Maximum number of users	16
Safety / EMC Standard	WV-CU980 UL (UL60950-1), c-UL (CSA C22.2 No.60950-1), FCC (Part15 ClassA), ICES003 ClassA WV-CU980/G CE, IEC60950-1, EN55032 ClassB, EN55024
Power Source and Power Consumption	DC 12 V 250 mA, Approx. 3 W
Ethernet Port	10Base-T / 100Base-TX, RJ45 connector
Supported Protocol	IPv4 : TCP/IP
Ambient Operating Temperature	0 °C to +50 °C {32 °F to +122 °F}
Dimensions	Main Unit : 237 (W) x 45 (H) x 173 (D) mm {9-11/32 (W) x 1-25/32 (H) x 6-13/16 (D) inches} Joystick Unit : 113 (W) x 121 (H) x 206 (D) mm {4-7/16 (W) x 4-25/32 (H) x 8-1/8 (D) inches}
Weight (without the AC adaptor)	Main Unit : 0.84 kg {1.85 lbs}, Joystick Unit : 0.64 kg {1.41 lbs}

Example of a Basic Connection System



Appearance

Unit : mm (inches)



Trademarks and registered trademarks

- All other trademarks identified herein are the property of their respective owners.

Important

- Safety Precautions : Carefully read the Basic Information, Installation Guide and Operating Instructions before using this product.

- i-PRO Co., Ltd. cannot be held responsible for the performance of the network and/or other manufacturers' products used on the network.

• Masses and dimensions are approximate. • Specifications are subject to change without notice.

i-PRO
The Power of Truth

i-PRO Co., Ltd.

<https://i-pro.com/>

(2A-229CL)