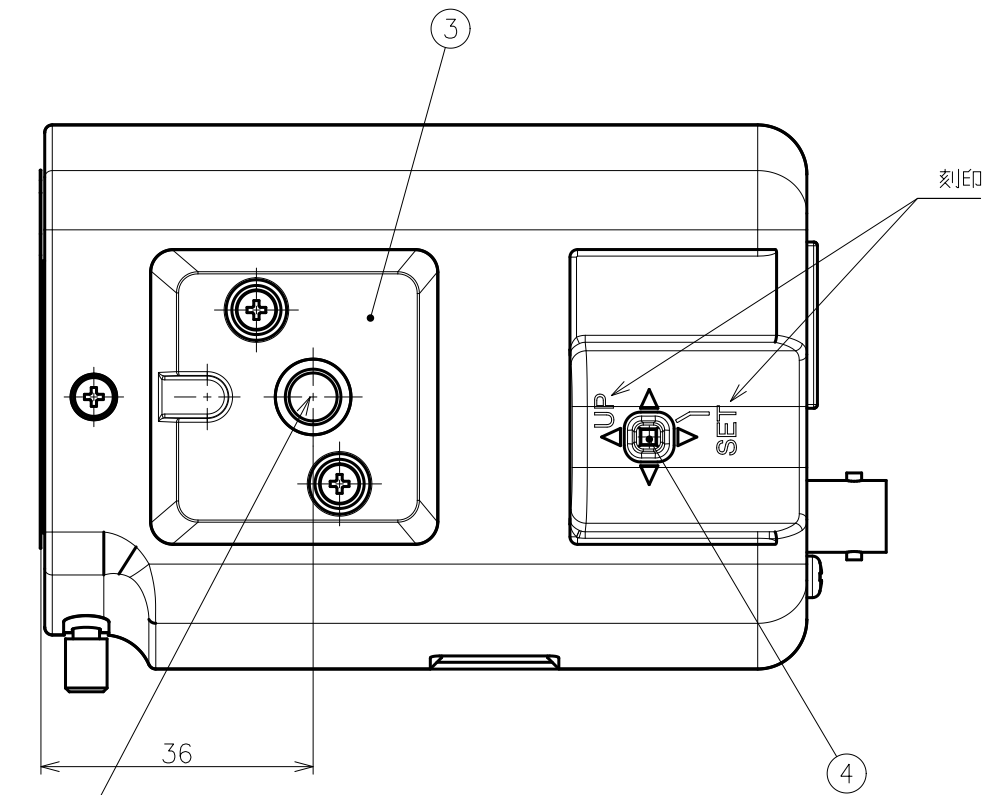
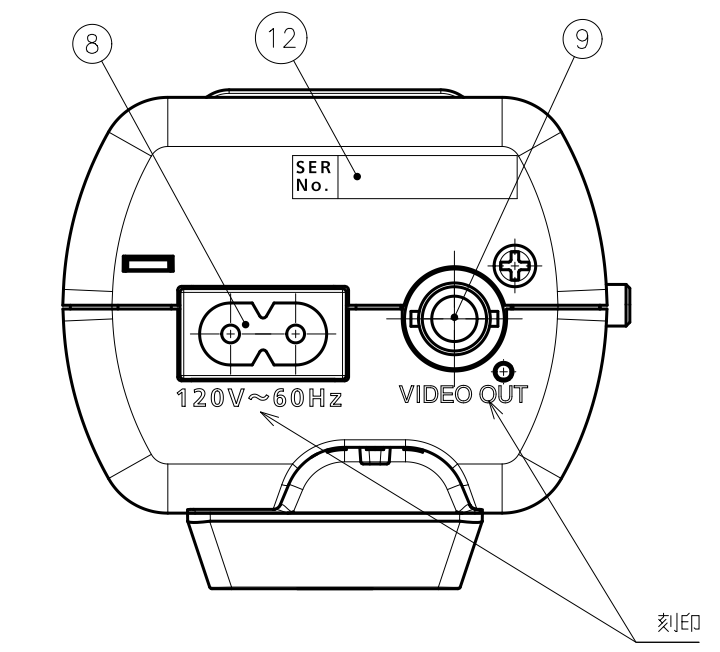
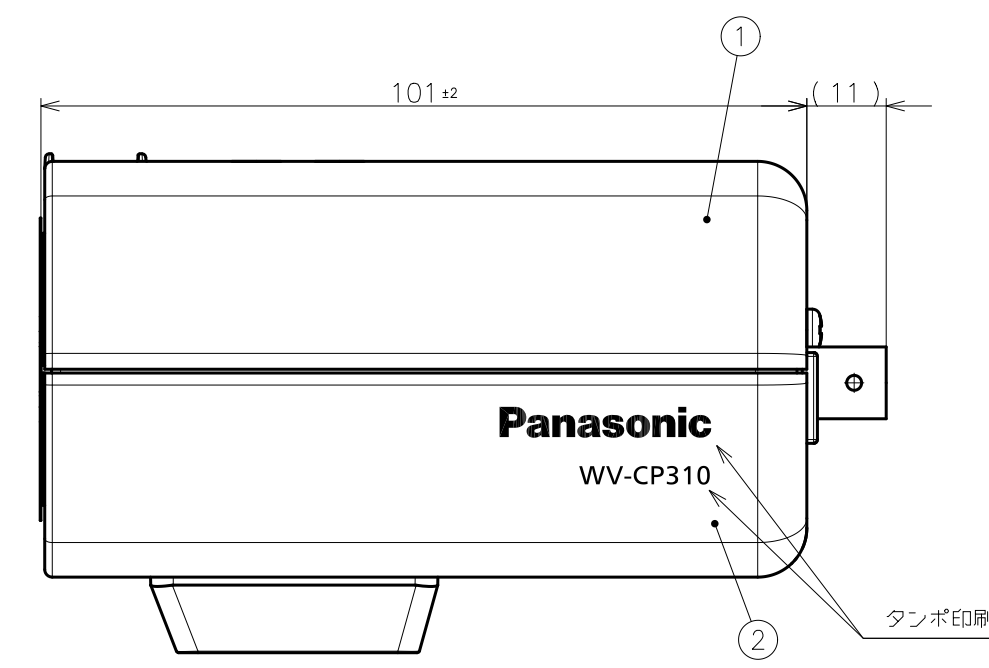
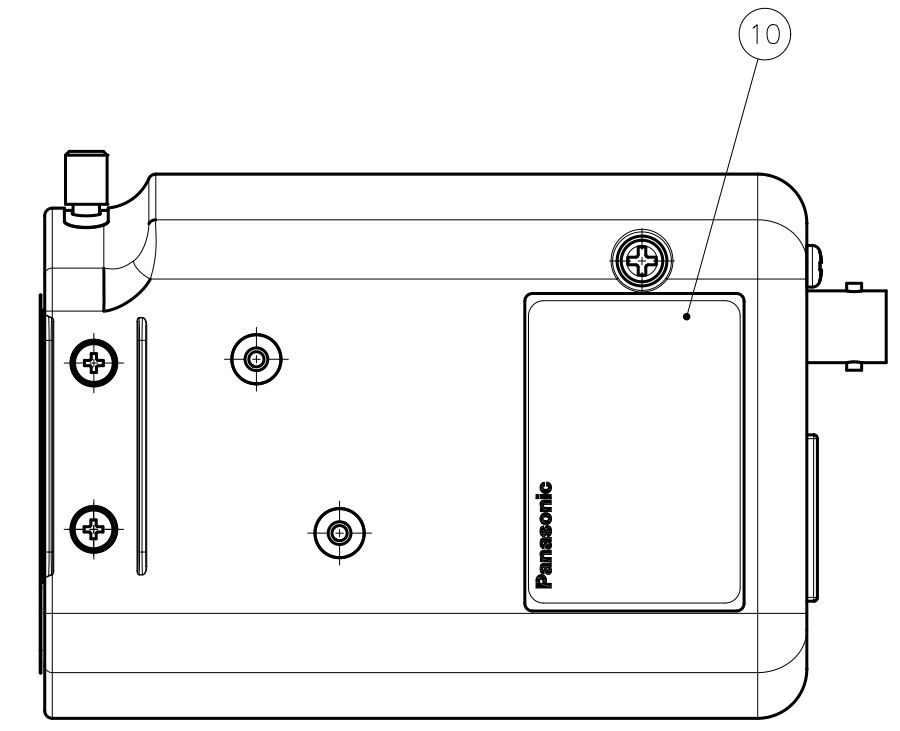
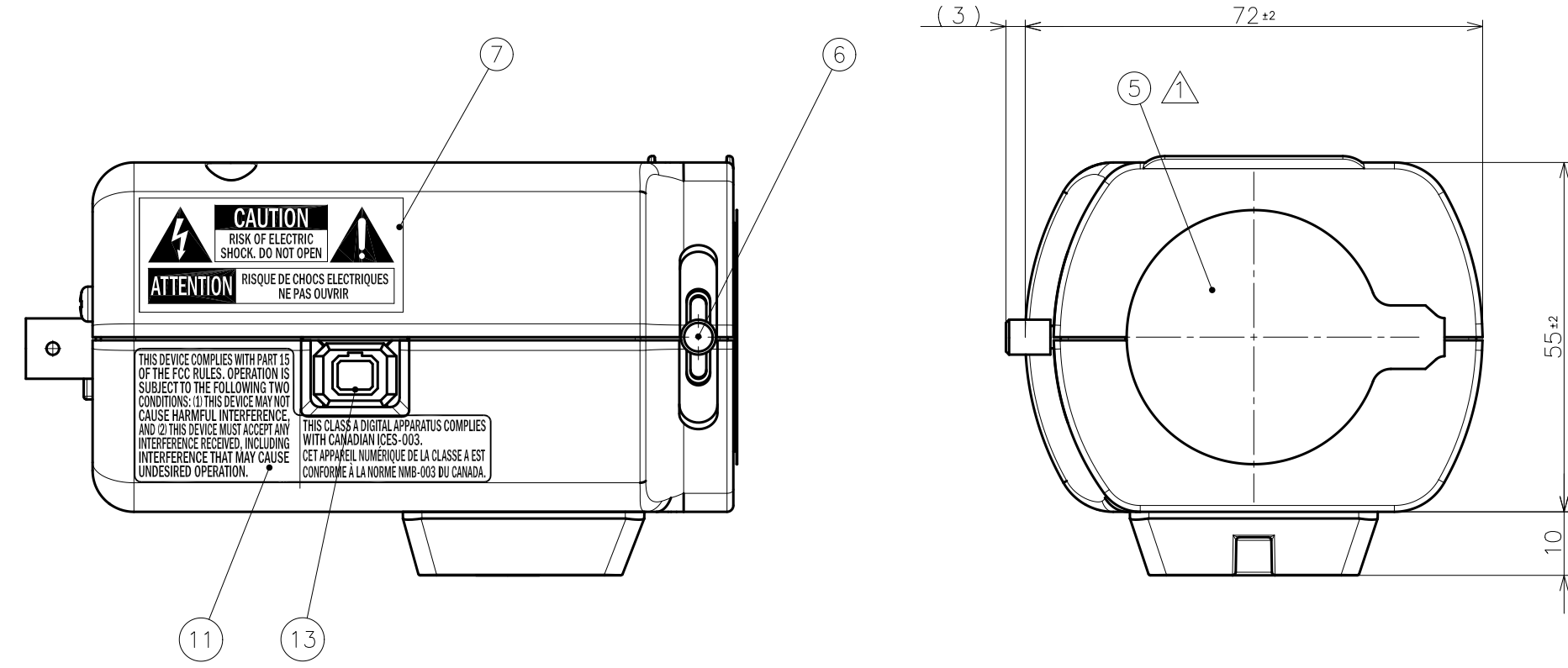


・パナソニックグループ化学物質管理ランク指針最新版（製品版）を遵守すること。
 URL:http://panasonic.co.jp/eco/topics/suppliers/
 ・Observe the Panasonic Group Chemical Substances Management Rank Guidelines latest version (For Products).
 URL:http://panasonic.net/eco/topics/suppliers/

SYM.	DATE	REVISION	SIGNED	CHECKED
△ x 1	2011.12.02	Lens mount label の方向修正	嶋田	先川原
△				
△				
△				



1/4-20UNC for Tripod
 (Depth 10mm)

13	ALC lens connector	1				
12	Serial number label	1	Polyester Film			
11	FCC/DOC label	1	Polyester Film			
10	Name label	1	Polyester Film			
9	Video output connector	1				
8	AC power input terminal	1				
7	Caution label	1	Polyester Film			
6	Back focus adjustment screw	1	SWCH			
5	Lens mount label	1	PP FILM			
4	Setup button	1	ABS (V-0)			
3	Tripod mount base	1	ABS/PC			
2	Lower case	1	ABS (V-0)			
1	Upper case	1	ABS (V-0)			
SYM.	ITEM OR PARTS No.	NAME	QTY	MATERIAL & SIZE	TREATMENT	REMARK

REMARK		MATERIAL & SIZE		PROCESS		MODEL	NAME
SCALE	DESIGNED	DRAWN	CHECKED	APPROVED	Weight: APPROX.190g	WV-CP310P	箱入規格/Main Assembly Standards <外観図>
1:1	M.Shimada 2011.11.02	J.Hirako 2011.11.02		Sakigawara 2011.11.22			Page M-Mb1 of M-Mb1

