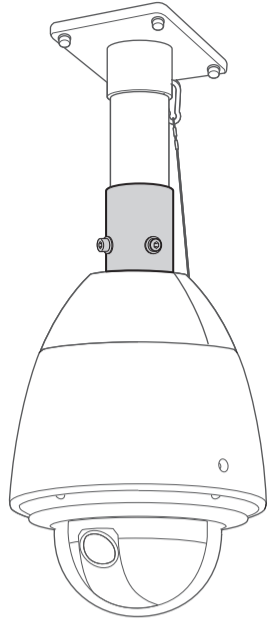


Operating Instructions

Included Installation Instructions

Attachment Pipe Bracket

Model No. **WV-Q123A**
WV-Q179
WV-QAT500-W
WV-QAT501-S
WV-QAT501



(Attachment image)

- Before attempting to connect or install this product, please read these instructions carefully and save this manual for future use.
- The external appearance and other parts shown in this manual may differ from the actual product within the scope that will not interfere with normal use due to improvement of the product.

i-PRO Co., Ltd. assumes no responsibility for injuries or property damage resulting from failures arising out of improper installation, operation inconsistent with this documentation or through use of parts other than this product, such as locally procured parts.

"<Control No.: C****>" used in these documents should be used to search for information on our technical information website (<https://i-pro.com/global/en/surveillance/training-support/support/technical-information>) and will guide you to the right information.



i-PRO Co., Ltd.

<https://www.i-pro.com/>

© i-PRO Co., Ltd. 2022

PGQX2592ZA



Ns0522-0
Printed in China

Caution:

- Before attempting to connect or operate this product, please read these instructions carefully.

Notice:

- This product is not suitable for use in locations where children are likely to be present.
- Do not install this product in locations where ordinary persons can easily reach.
- For information about screws and other parts required for installation, refer to the corresponding section of this document.

Precautions

Refer installation work to the dealer.

Installation work requires technique and experience. Failure to observe this may cause fire, electric shock, injury, or damage to the product.

Be sure to consult the dealer.

Do not use this bracket except with specified cameras.

Failure to observe this may cause a drop resulting in injury or accidents.

When using this product, also read the "Precautions" described in the operating instructions for the camera to be attached.

Preface

This product is used to mount the camera on a locally procured mounting bracket.



The latest information about the supported cameras
 <Control No.: C0501>

Specifications

Ambient operating temperature:	-50 °C to +60 °C [-58 °F to +140 °F]
Dimensions:	ø58 mm × 85 mm (H) {ø2-9/32 inches × 3-11/32 inches (H)}
Mass:	Approx. 200 g {0.44 lbs}
Finish:	Aluminum alloy Silver (WV-Q123A, WV-QAT501-S) Light gray (WV-Q179) i-PRO white (WV-QAT500-W, WV-QAT501)

Precautions for installation

In order to prevent injury, the product must be securely mounted to the mount bracket (locally procured) according to the Installation Guide of the camera.

Mounting method for this product

This product is designed to be used as a pendant mount camera. If the product is mounted on a desktop or at a slant, it may not work correctly and its lifetime may be shortened.

Make sure to remove this product if it will no longer be used.

Standard Accessories

Operating Instructions (this document)	1 pc.
Camera mounting screw (hexagon screw (M6))	5 pcs.(of them, 1 for spare)

Other items that are needed (not included)

Mount bracket (locally procured)	1 set
----------------------------------	-------

Installation

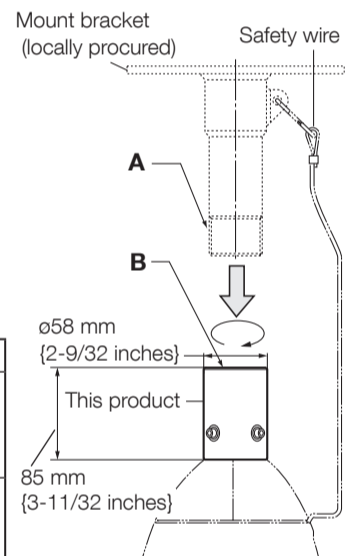
The following explains an example of mounting the camera on a ceiling.

[1] Preparations before installation

Prepare the mount bracket (locally procured) for mounting the camera.

IMPORTANT:

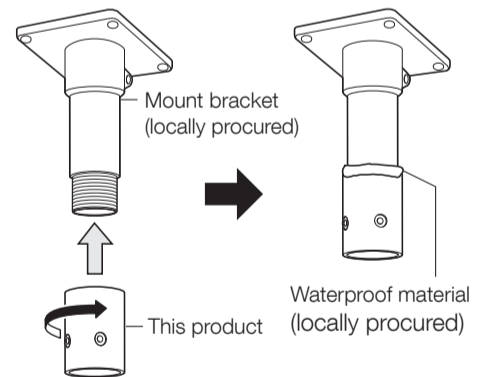
- The mount bracket (locally procured) should have the configuration that enables fixation of safety wire from camera.



	A	B
WV-Q123A	40A, R 1-1/2, 11crest length 30 mm	40A, Rp 1-1/2, 11 crest deep MAX. 30 mm
WV-Q179	{1-3/16 inches} or more (taper pipe thread)	{1-3/16 inches} (parallel thread)
WV-QAT500-W		
WV-QAT501-S	40A, NPT 1-1/2, 11.5 crest length 30 mm	40A, NPSC 1-1/2, 11.5 crest deep MAX. 30 mm
WV-QAT501	{1-3/16 inches} or more (taper pipe thread)	{1-3/16 inches} (parallel thread)

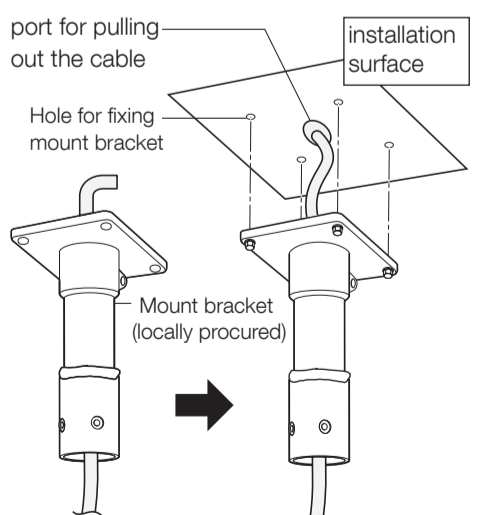
[2] Fix this product to the mount bracket (locally procured).

- ① Fix this product to the mount bracket.
- ② Fill the gap between the mount bracket and this product with waterproof material (locally procured) such as silicon clay.



[3] Fix the mount bracket (locally procured) on the installation surface.

- ① Pass the cables through the mount bracket and this product.
- ② Fix a mount bracket to the installation surface by using appropriate bolts, nuts or the like (locally procured).



IMPORTANT:

- For details on procedure for attaching mount bracket, read the operating instructions of mount bracket.
- After waterproofing the hole for fixing mount bracket and the port for pulling out the cable on the installation surface, fix the mount bracket on the installation surface.
- Ensure the minimum pull-out strength that has sufficient allowance for total mass of mount bracket, this product, and camera etc.

[4] Attach the camera to this product.

Connect each cable to the camera, and attach the camera to this product with the camera mounting screw (accessory) or the hexagon screw supplied with the camera. Refer to the Installation Guide of the camera for details such as the recommended tightening torque for the camera mounting screws.