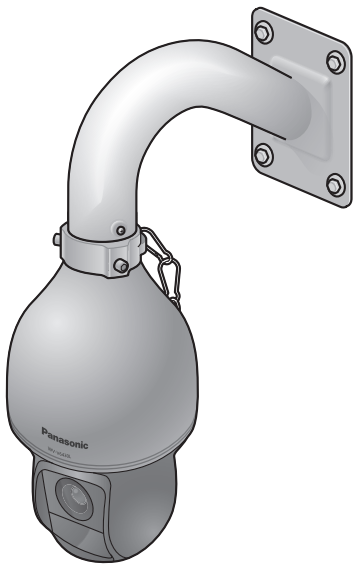


Installation Guide

Network Camera

Model No. **VV-V6430L**



- For information about how to perform the settings and how to operate the camera, refer to the operation manual on the provided CD-ROM.
- Before attempting to connect or operate this product, please read these instructions carefully and save this manual for future use.

For U.S. and Canada:

Panasonic i-PRO Sensing Solutions Corporation of America
800 Gessner Rd, Suite 700 Houston, TX 77024
<https://www.security.us.panasonic.com/>

Panasonic Canada Inc.

5770 Ambler Drive, Mississauga, Ontario, L4W 2T3 Canada
1-877-495-0580
<https://www.panasonic.com/ca/>

For Europe and other countries:

Panasonic Corporation
<http://www.panasonic.com>

Panasonic i-PRO Sensing Solutions Co., Ltd.
Fukuoka, Japan

Authorised Representative in EU:

Panasonic Testing Centre
Panasonic Marketing Europe GmbH
Winsbergring 15, 22525 Hamburg, Germany



© Panasonic i-PRO Sensing Solutions Co., Ltd. 2019

avDu0317-2109 PGQX2151XA
Printed in China

WARNING:

- To prevent injury, this apparatus must be securely attached to the wall in accordance with the installation guide.
- All work related to the installation of this product should be made by qualified service personnel or system installers.
- The installation shall be carried out in accordance with all applicable installation rules.
- The connections should comply with local electrical code.
- This equipment is compliant with Class A of CISPR 32. In a residential environment this equipment may cause radio interference.
- Batteries (battery pack or batteries installed) shall not be exposed to excessive heat such as sunlight, fire or the like.

CAUTION:

- Any changes or modifications not expressly approved by the party responsible for compliance could void the user's authority to operate the equipment.
- The network camera is only intended for a connection to an ethernet or PoE+ network without routing to the outside plant.

: Direct current symbol

: Alternating current symbol

For U.S.A.

NOTE: This equipment has been tested and found to comply with the limits for a Class A digital device, pursuant to Part 15 of the FCC Rules.

These limits are designed to provide reasonable protection against harmful interference when the equipment is operated in a commercial environment. This equipment generates, uses, and can radiate radio frequency energy and, if not installed and used in accordance with the instruction manual, may cause harmful interference to radio communications. Operation of this equipment in a residential area is likely to cause harmful interference in which case the user will be required to correct the interference at his own expense.

FCC Caution: To assure continued compliance, (example - use only shielded interface cables when connecting to computer or peripheral devices). Any changes or modifications not expressly approved by the party responsible for compliance could void the user's authority to operate this equipment.

For U.S.A.

The model number and serial number of this product may be found on the surface of the unit.

You should note the model number and serial number of this unit in the space provided and retain this book as a permanent record of your purchase to aid identification in the event of theft.

Model No. _____
Serial No. _____

For Canada

CAN ICES-3(A)/NMB-3(A)

Disposal of Old Equipment and Batteries

Only for European Union and countries with recycling systems



These symbols on the products, packaging, and/or accompanying documents mean that used electrical and electronic products and batteries must not be mixed with general household waste.

For proper treatment, recovery and recycling of old products and used batteries, please take them to applicable collection points in accordance with your national legislation.

By disposing of them correctly, you will help to save valuable resources and prevent any potential negative effects on human health and the environment.

For more information about collection and recycling, please contact your local municipality.

Penalties may be applicable for incorrect disposal of this waste, in accordance with national legislation.



Note for the battery symbol (bottom symbol)

This symbol might be used in combination with a chemical symbol. In this case it complies with the requirement set by the Directive for the chemical involved.

Important safety instructions

- Read these instructions.
- Keep these instructions.
- Heed all warnings.
- Follow all instructions.
- Do not block any ventilation openings. Install in accordance with the manufacturer's instructions.
- Do not install near any heat sources such as radiators, heat registers, stoves, or other apparatus (including amplifiers) that produce heat.
- Only use attachments/accessories specified by the manufacturer.
- Unplug this apparatus during lightning storms or when unused for long periods of time.
- Refer all servicing to qualified service personnel. Servicing is required when the apparatus has been damaged in any way, such as power-supply cord or plug is damaged, liquid has been spilled or objects have fallen into the apparatus, the apparatus has been exposed to rain or moisture, does not operate normally, or has been dropped.

Main functions

- 2 mega pixels Full-HD PTZ (PAN, TILT, ZOOM) network camera
- Powerful 30x optical zoom
- H.265, H.264 and MJPEG triple-stream encoding
- Built in IR LED, distance up to 150 m (24 V AC)

Limitation of liability

THIS PUBLICATION IS PROVIDED "AS IS" WITHOUT WARRANTY OF ANY KIND, EITHER EXPRESS OR IMPLIED, INCLUDING BUT NOT LIMITED TO, THE IMPLIED WARRANTIES OF MERCHANTABILITY, FITNESS FOR ANY PARTICULAR PURPOSE, OR NON-INFRINGEMENT OF THE THIRD PARTY'S RIGHT.

THIS PUBLICATION COULD INCLUDE TECHNICAL INACCURACIES OR TYPOGRAPHICAL ERRORS. CHANGES ARE ADDED TO THE INFORMATION HEREIN, AT ANY TIME, FOR THE IMPROVEMENTS OF THIS PUBLICATION AND/OR THE CORRESPONDING PRODUCT (S).

Disclaimer of warranty

IN NO EVENT SHALL Panasonic i-PRO Sensing Solutions Co., Ltd. BE LIABLE TO ANY PARTY OR ANY PERSON, EXCEPT FOR REPLACEMENT OR REASONABLE MAINTENANCE OF THE PRODUCT, FOR THE CASES, INCLUDING BUT NOT LIMITED TO BELOW:

- ANY LOSS OR DAMAGE, INCLUDING WITHOUT LIMITATION, DIRECT OR INDIRECT, SPECIAL, CONSEQUENTIAL OR EXEMPLARY, ARISING OUT OF OR RELATING TO THE PRODUCT;
- ANY INCONVENIENCE, LOSS, OR DAMAGE CAUSED BY INAPPROPRIATE USE OR NEGLIGENT OPERATION OF THE USER;
- ALL MALFUNCTIONS OR TROUBLES FROM UNAUTHORIZED DISASSEMBLE, REPAIR OR MODIFICATION OF THE PRODUCT BY THE USER, REGARDLESS OF THE CAUSE OF THE MALFUNCTION OR TROUBLE;
- INCONVENIENCE OR ANY LOSS ARISING WHEN IMAGES ARE NOT DISPLAYED, DUE TO ANY REASON OR CAUSE INCLUDING ANY FAILURE OR PROBLEM OF THE PRODUCT;
- ANY PROBLEM, CONSEQUENTIAL INCONVENIENCE, OR LOSS OR DAMAGE, ARISING OUT OF THE SYSTEM COMBINED BY THE DEVICES OF THIRD PARTY;
- ANY CLAIM OR ACTION FOR DAMAGES BROUGHT BY ANY PERSON OR ORGANIZATION AS A PHOTOGRAPHED SUBJECT DUE TO VIOLATION OF PRIVACY CONCERNING A SURVEILLANCE CAMERA'S PICTURE OR SAVED DATA, FOR SOME REASON (INCLUDING USE WHEN USER AUTHENTICATION ON THE AUTHENTICATION SETTING SCREEN IS SET TO OFF), BECOMING PUBLIC OR BEING USED FOR ANY PURPOSE;
- LOSS OF REGISTERED DATA CAUSED BY ANY FAILURE (INCLUDING INITIALIZATION OF THE PRODUCT DUE TO FORGOTTEN AUTHENTICATION INFORMATION SUCH AS A USER NAME AND PASSWORD).

Open Source Software

- This product contains open source software licensed under GPL (GNU General Public License), LGPL (GNU Lesser General Public License), etc.
- Customers can duplicate, distribute and modify the source code of the software under license of GPL and/or LGPL.
- Refer to the "readme.txt" file on the provided CD-ROM for further information about open source software licenses and the source code.
- Please note that Panasonic shall not respond to any inquiries regarding the contents of the source code.

Copyright

Except for open source software licensed under GPL/LGPL and so on, distributing, copying, disassembling, reverse compiling and reverse engineering of the software provided with this product are all expressly prohibited. In addition, exporting any software provided with this product violating export laws is prohibited.

Network security

As you will use this unit connected to a network, your attention is called to the following security risks.

- Leakage or theft of information through this unit
- Use of this unit for illegal operations by persons with malicious intent
- Interference with or stoppage of this unit by persons with malicious intent

It is your responsibility to take precautions such as those described below to protect yourself against the above network security risks.

- Use this unit in a network secured by a firewall, etc.
- If this unit is connected to a network that includes PCs, make sure that the system is not infected by computer viruses or other malicious entities (using a regularly updated anti-virus program, anti-spyware program, etc.).
- To prevent unauthorized access, use user-authentication, set user names and passwords, and limit which users can log in.
- Apply measures such as user authentication to protect your network against leakage or theft of information, including image data, authentication information (user names and passwords), alarm E-mail information, FTP server information and DDNS server information.
- After the unit is accessed by the administrator, make sure to close the browser.
- Change the administrator password periodically. Additionally, save user authentication information (user names and passwords) in such a way that it is kept out of the hands of third parties.
- Do not install the camera in locations where the camera or the cables can be destroyed or damaged by persons with malicious intent.

Precautions



- Refer installation work to the dealer.**
Installation work requires technique and experiences. Failure to observe this may cause fire, electric shock, injury, or damage to the product.
 - Be sure to consult the dealer.
- Turn the power off when do wiring of this product.**
Failure to observe this may cause electric shock. In addition, short circuit or wrong wiring may cause fire.
- Correctly perform all wiring.**
Short circuits in the wiring or incorrect wiring may cause fire or electrical shock.
- Do not hang down from this product or use this product as a pedestal.**
Failure to observe this may cause injury or accidents.
- The exclusively designed mount bracket shall be used.**
Failure to observe this may cause a drop resulting in injury or accidents.
- Stop the operation immediately when something is wrong with this product.**
When smoke goes up from the product, the smell of smoke comes from the product, or the exterior of the product has deteriorated, continued use will cause a fire or fall of the product resulting in injury, or damage to the product.
 - In this case, turn the power off immediately and contact qualified service personnel for service.
- Select an installation area that can support the total weight.**
Selecting an inappropriate installation surface may cause this product to fall down or topple over, resulting in injury or accidents.
 - Installation work shall be started after sufficient reinforcement.
- Periodic inspections shall be conducted.**
Rust on the metal parts or screws may cause a fall of the product resulting in injury or accidents.
 - Consult the dealer for the inspections.
- Do not install this product in locations subject to vibration.**
Loosening of mounting screws or bolts may cause a fall of the product resulting in injury or accidents.
- Install this product in a location high enough to avoid people and objects from bumping the product.**
Failure to observe this may cause injury.
- The measures of protection against a fall of this product shall be taken.**
Failure to observe this may cause a drop resulting in injury or accidents.
 - Be sure to install the safety chain.
- Do not attempt to disassemble or modify this product.**
Failure to observe this may cause fire or electric shock. Consult the dealer for the repair or inspections.
- The screws and bolts must be tightened to the specified torque.**
Failure to observe this may cause a drop resulting in injury or accidents.
- Do not insert any foreign objects.**
Fire or electrical shock may be caused if water or any foreign objects, such as metal objects, enter inside the unit. Turn the power off immediately and contact qualified service personnel for service.
- Do not use this product in an inflammable atmosphere.**
Failure to observe this may cause an explosion resulting in injury.
- Avoid installing this product in the locations where salt damage occurs or corrosive gas is produced.**
Otherwise, the mounting portions will deteriorate and accidents such as a fall of the product may occur.
- Do not install this product on a place that is greatly influenced by wind.**
Installation on a place where the wind speed is 60 m/s (approx. 134 mph) or more may cause a fall of the product resulting in injury or accidents.
- The measures of protection against snowfall shall be taken.**
Weight of snow may cause a fall of the product resulting in injury or accidents. Protect the product against snowfall by installing it under eaves.
- Do not strike or give a strong shock to this product.**
Failure to observe this may cause fire or injury.
- Do not install or clean the camera, or touch this product, the power cable or the connected cables during thunder storms.**
Failure to observe this may cause electric shock.
- Keep SDXC/SDHC/SD memory cards away from infants and children.**
Otherwise, they may swallow the cards by mistake. In this case, consult a doctor immediately.
- Do not touch the main body while this product is panning/tilting.**
Fingers may be caught up in the moving part, and that may result in injury.
- Turn the power off when cleaning this product.**
Failure to observe this may cause electric shock.



- Do not rub the edges of metal parts with your hand.**
Failure to observe this may cause injury.

Precautions for use

This product has no power switch.
When turning off the power, disconnect the power supply from the 24 V AC power supply or the PoE+ device.

To keep on using with stable performance
Do not use this camera in hot and humid conditions for a long time. Failure to observe this causes component degradation resulting in life shortening of this product.
Do not expose this camera to direct heat sources such as a heater.

Do not touch the lens with your bare hands.

A dirty lens causes deterioration of picture quality.

Handle this camera with care.

Do not drop this camera, nor apply shock or vibration to this camera. Failure to observe this may cause trouble. If a strong shock or vibration is applied to the enclosure, it may cause damage or allow water to enter this product.

About the battery

A battery is installed inside the camera. Do not leave the battery exposed in environments of excessive heat as a result of sunlight or fire.

Product disposal/transfer

Data saved on this product or a storage device used with this product may lead to personal information leakage. When it is necessary to dispose or give this product to someone, even when for repair, make sure that there is no data on this product. When abandoning the memory media, it is recommended to destroy it physically after deleting data by PC.

Cleaning this product body

Be sure to turn off the power before cleaning. Failure to observe this may cause injury. Do not use benzene, thinner, alcohol, or any other types of solvents or detergents. Otherwise, it may cause discoloration. When using a chemical cloth for cleaning, read the caution provided with the chemical cloth product.

About the MOS image sensor

- When continuously shooting a bright light source such as a spotlight, the color filter of the MOS image sensor may have deteriorated and it may cause discoloration. Even when changing the fixed shooting direction after continuously shooting a spotlight for a certain period, the discoloration may remain.
- When shooting fast-moving subjects or performing panning/tilting operations, objects crossing the shooting area may look to be bending askew.

AVC Patent Portfolio License

THIS PRODUCT IS LICENSED UNDER THE AVC PATENT PORTFOLIO LICENSE FOR THE PERSONAL USE OF A CONSUMER OR OTHER USES IN WHICH IT DOES NOT RECEIVE REMUNERATION TO
(i) ENCODE VIDEO IN COMPLIANCE WITH THE AVC STANDARD ("AVC VIDEO") AND/OR
(ii) DECODE AVC VIDEO THAT WAS ENCODED BY A CONSUMER ENGAGED IN A PERSONAL ACTIVITY AND/OR WAS OBTAINED FROM A VIDEO PROVIDER LICENSED TO PROVIDE AVC VIDEO. NO LICENSE IS GRANTED OR SHALL BE IMPLIED FOR ANY OTHER USE. ADDITIONAL INFORMATION MAY BE OBTAINED FROM MPEG LA, L.L.C. SEE [HTTP://WWW.MPEGLA.COM](http://www.mpegla.com)

Equipment classification and power source indication label

Refer to the indication label on the side of this unit for the equipment classification, power source, and other information.

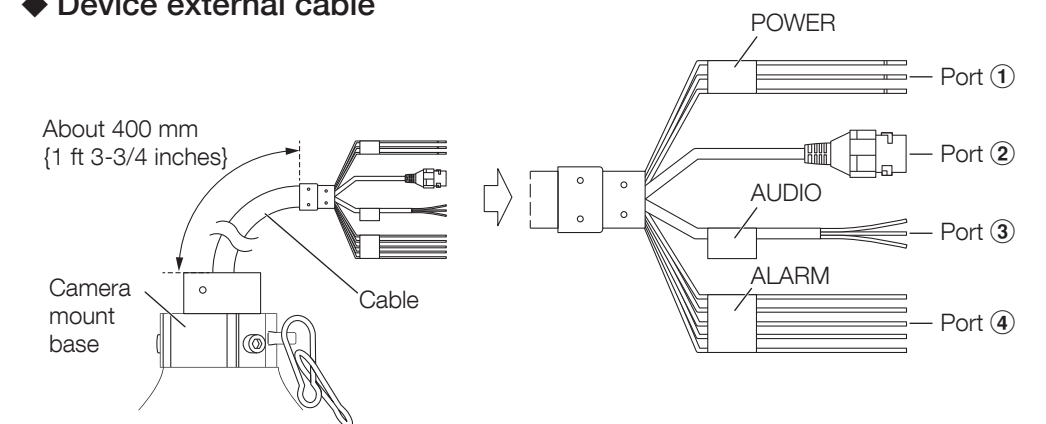
Standard accessories

Confirm the following items are included in the camera's packaging.

Installation Guide (this document)	1 pc.	Camera mount base	1 pc.
CD-ROM	1 pc.	Fall-prevention chain	1 set
RJ45 waterproof connector	1 bag.	Fall-prevention chain lug	1 pc.
Wall mount bracket	1 pc.	Waterproof tape	1 pc.

Connection

◆ Device external cable



Port	Port Name	Note
Port ①	Power input port	Power port. Input 24 V AC. When a PoE+ power supply is used to power the camera, the power input port is not used. Red=AC24V (Live), Black=AC24V (Neutral), Yellow&Green=EARTH
Port ②	LAN (Network port)	RJ45 waterproof jack. Connect to standard Ethernet cable. NOTE: Some devices do not support PoE+ power supply.
Port ③	Audio port	<ul style="list-style-type: none"> Input audio signal, receive analog audio signal from sound pick-up, etc. White=AUDIO IN Output audio signal to speakers, etc. Red=AUDIO OUT Black= AUDIO GND
Port ④	I/O port	Alarm signal input/output

* Port ①③④: Apply appropriate waterproofing.

Port Name	Color	Port name	Function Description
I/O Port	Blue	ALARM_OUT1	Alarm output port, output alarm signal to alarm device. Normally open alarm output end.
	Green	ALARM_COM1	Alarm output common end.
	Yellow&Green	ALARM_GND	Connect ground
	Red	ALARM_IN1	Alarm input port1, receive on-off signal of external alarm source.
	Brown	ALARM_IN2	Alarm input port2, receive on-off signal of external alarm source.

◆ Alarm input, output description:

Step 1 Connect alarm input device to the alarm input of I/O cable.

Step 2 Connect alarm output device to the alarm output of I/O cable, alarm output is collector open circuit output which connects 10 K resistor to 3.3 V externally.

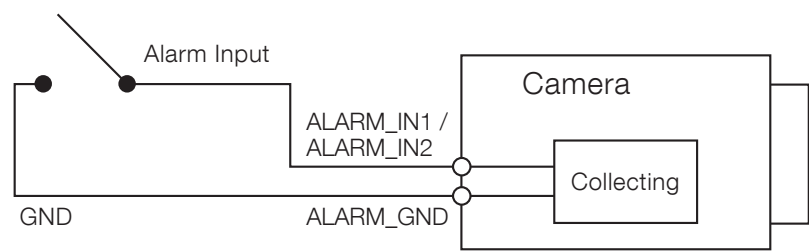
Step 3 Open the Web, set alarm input and output correspondingly. Alarm input on WEB corresponds to I/O cable on device. When there is alarm, alarm input device will generate signal of high and low level. Set corresponding NO and NC inputs.

Step 4 Set the WEB alarm output. The alarm output is for the alarm output port of the device. It is the alarm output port of the I/O cable.

◆ Alarm input connection

Please refer to the following figure for alarm input information.

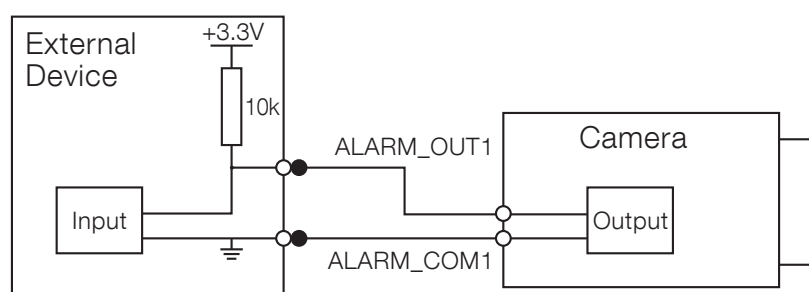
Alarm input: When the input signal is idle or grounded, the device can collect the different statuses of the alarm input port. When the input signal is connected to 3.3 V or it is idle, the device collects the logic "1". When the input signal is grounded, the device collects the logic "0".



◆ Alarm output connection

Please refer to the following figure for alarm output information.

When alarm output is open collector, it needs to increase pull-up resistance externally to work normally; output signal is high and low level. After external pull-up resistance is increased, the default of output signal is high level, and it switches to low level when there is alarm output. The working current of alarm output port is recommended as ≤ 10 mA. The max current which is used to drive external circuit is 80 mA, it is advised to add a relay if it is beyond the value.

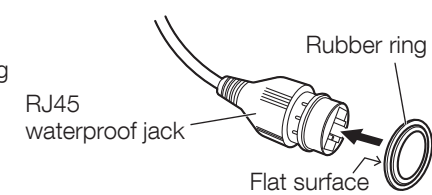


◆ Assembling RJ45 waterproof connector

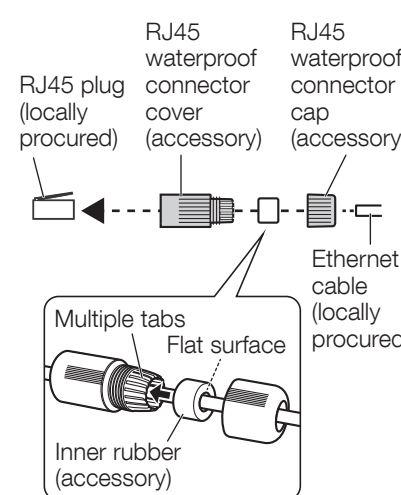
IMPORTANT:

- The maximum cable length is 100 m.
- Make sure that the PoE+ device in use is compliant with IEEE802.3at standard.
- Use all 4 pairs (8 pins) of the Ethernet cable.
- The external dimensions of the Ethernet cable are $\phi 5$ mm to $\phi 6.5$ mm.
- If the procedure for the RJ45 waterproof connector (accessory) part is not correctly followed, the waterproofing may be compromised. Do not install the camera where the RJ45 waterproof connector is exposed to constant rain or moisture.

- 1** Attach the rubber ring (accessory) to the RJ45 waterproof jack connected to the camera as shown.
- Attach with the flat surface of the rubber ring facing the RJ45 waterproof jack.

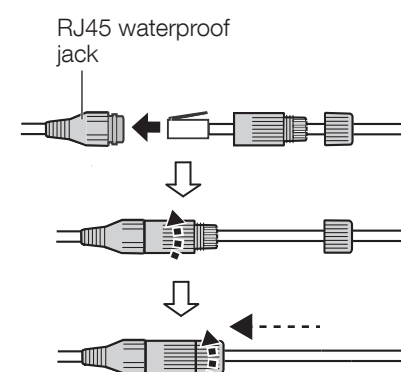


- 2** First pass the Ethernet cable through the RJ45 waterproof connector cap (accessory), the inner rubber (accessory) and then RJ45 waterproof connector cover (accessory). Next, use a specialized tool (locally procured) to crimp the RJ45 plug (locally procured) to the end of the Ethernet cable.
- Pass the inner rubber over the cable so that the grooved surface faces the RJ45 plug and the flat surface faces the Ethernet cable.

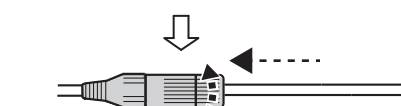


The following steps illustrate how to attach the connector to a camera as it is being installed.

- 4** Connect the RJ45 plug to the RJ45 waterproof jack and then rotate and tighten firmly the RJ45 waterproof connector cover.



- 5** Connect the RJ45 waterproof connector cap to the RJ45 waterproof connector cover and rotate the RJ45 waterproof connector cap until there is no gap between it and the RJ45 waterproof connector cover.



◆ Connect 24 V AC power source to the power port (if necessary)

When the camera will run on an external power supply, use an 24 V AC power supply isolated from the commercial power supply.

IMPORTANT:

When cables are used outdoors, there is a chance that they may be affected by lightning. In this case, install a lightning arrester just before where the cables connect to the camera.

CAUTION:

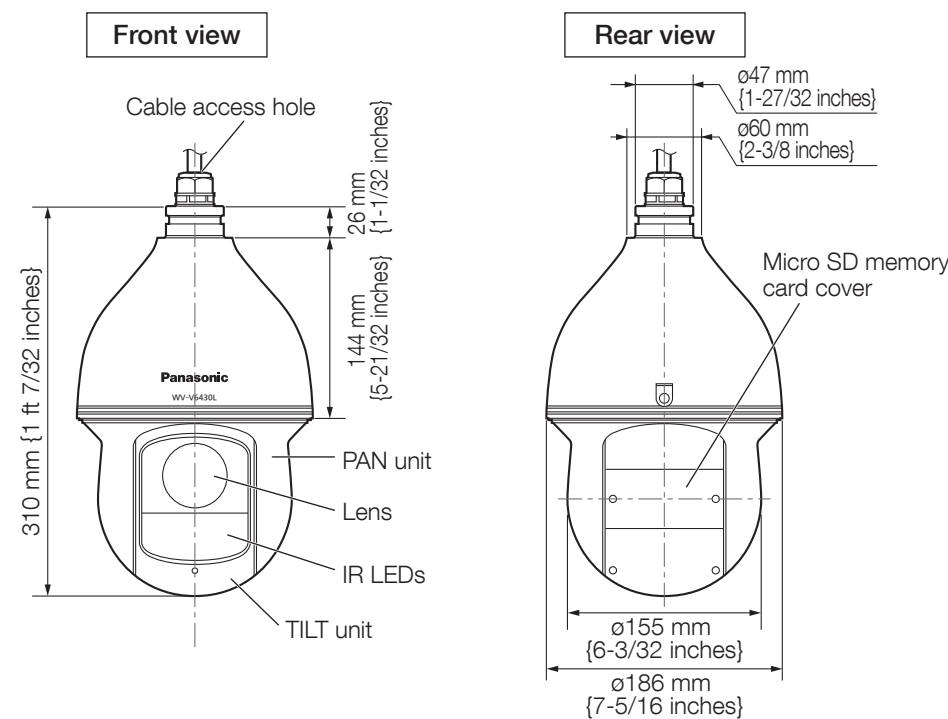
- A READILY ACCESSIBLE DISCONNECT DEVICE SHALL BE INCORPORATED TO THE EQUIPMENT POWERED BY 24 V AC POWER SUPPLY.
- ONLY CONNECT 24 V AC CLASS 2 POWER SUPPLY (UL1310/CSA 223) or LIMITED POWER SOURCE (IEC/EN/UL/CSA 60950-1).

◆ INITIAL SET button

- 1 Turn off the power of the camera, and follow Step 5 to remove the Micro SD memory card cover.
- 2 When you need to reset the camera, press and hold the "INITIAL SET button" for about 5 seconds while the power is connected. The button is shown in the illustration for Step 5-3.
- 3 The camera will restart in about 1 minute, so confirm that it starts up normally.
- 4 Disconnect the power of the camera, and attach the Micro SD memory card cover.

◆ Framework and dimension

Please refer to the following figure for dimension information.



◆ Device Installation

Secure the wall mount bracket with 4 screws or anchors (M8) (locally procured).

IMPORTANT:

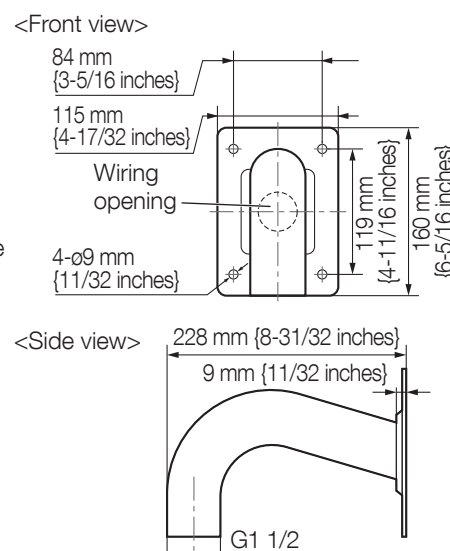
- Before starting the connection, turn off the power of the devices to be connected.
- Procure 4 screws or anchors (M8) to secure the wall mount bracket to a wall, according to the material of the installation area. In this case, wood screws and nails should not be used.
- Minimum pull-out force of a single screw or anchor is 823 N {185 lbf} or more.

Step 1 Open a hole for installing and cabling the camera on the wall.

Open holes in the positions for installation screws and the wiring opening to pass cabling through, as shown in the right figure.

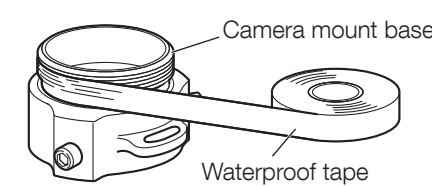
NOTE:

- Determine the screw hole diameter based on screw specifications. ("4- $\phi 9$ " in the right figure indicates the diameter of the fixing holes on the wall mount bracket)
- To run cabling or make connections behind a wall, drill a hole in the wiring opening position indicated in the right figure.



Step 2 Wrap the waterproof tape (accessory) around the screw thread of the camera mount base (accessory).

Wrap ten turns of the waterproof tape so that the entire screw thread of the camera mount base is evenly covered. (Keep the rest for future use.)



Step 3 Attach the camera mount base to the wall mount bracket.

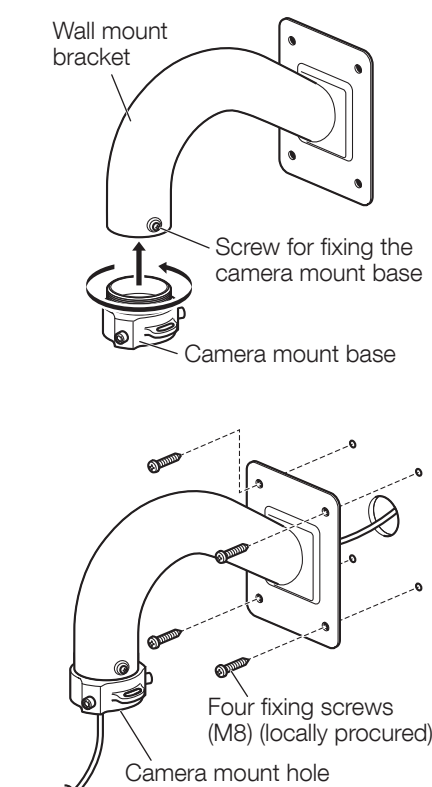
- 1 Loosen the screw for fixing the camera mount base using a cross-slot screwdriver.
- 2 Position the camera mount base so that it is aligned straight with the camera mount hole of the wall mount bracket, and insert the camera mount base while rotating it clockwise as seen from the bottom.
- 3 Tighten the screw for fixing the camera mount base. (Recommended tightening torque: 0.68 N-m {0.5 lbf-ft})

NOTE:

- Insert the camera mount base straight in so that it does not damage the screw thread.

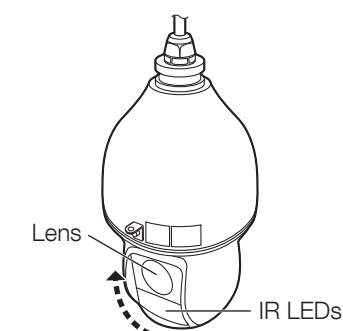
Step 4 Fix the wall mount bracket to the wall with four screws or anchors (locally procured).

- 1 Waterproof the areas around the four fixing screw holes and the cabling hole.
- 2 Insert the cabling from the wall into the back of the bracket and draw it out from the camera mount hole in advance.
- 3 Fix the wall mount bracket to the wall with the four fixing screws (M8) (locally procured). Minimum pull-out force: 823 N {185 lbf}

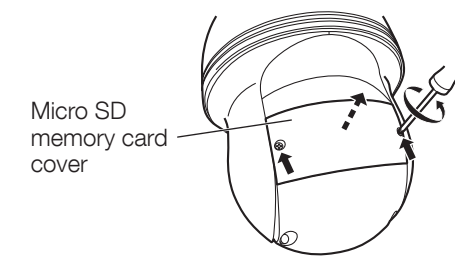


Step 5 If necessary, install a Micro SD memory card in the camera.

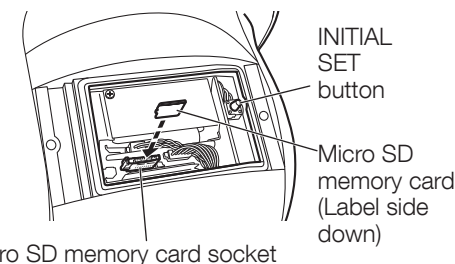
- 1 Remove the tape holding the camera's TILT unit in place, and adjust the TILT angle so that the lens and IR LEDs of the camera are positioned horizontally, as shown in the figure in the "Framework and dimension" section.



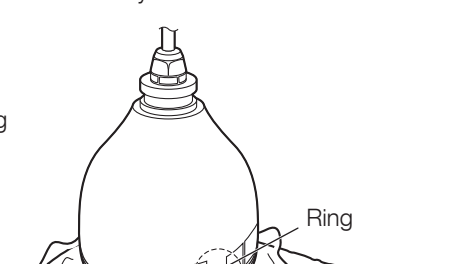
- 2 Remove the Micro SD memory card cover from the back of the camera using a screwdriver.



- 3 Attach the Micro SD memory card to the socket with its label side down, as shown in the right figure.

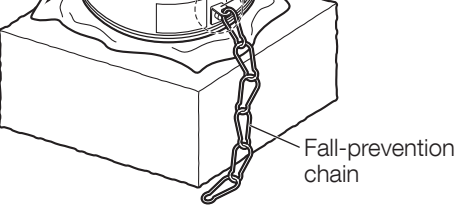


- 4 Attach the Micro SD memory card cover to its original location. (Recommended tightening torque: 0.68 N-m {0.5 lbf-ft})

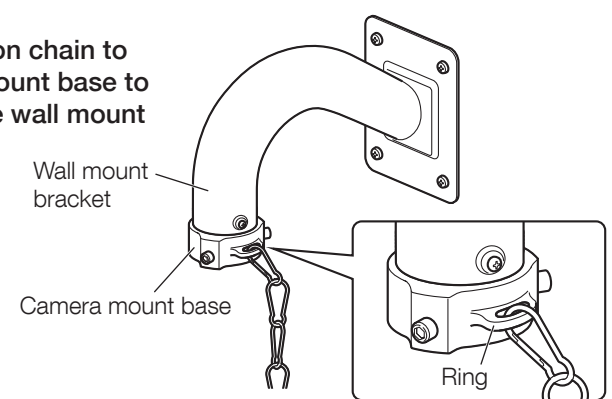


Step 6 Attach the fall-prevention chain (accessory) to the camera.

Connect the fall-prevention chain (accessory) to the ring on the side of the camera.



Step 7 Connect the fall-prevention chain to the ring on the camera mount base to hang the camera from the wall mount bracket.



Step 8 Connect the camera.

Connect the RJ45 waterproof connector to the camera's RJ45 waterproof jack. (Refer to steps 4 and 5 in "Assembling RJ45 waterproof connector".) If necessary, also connect the 24 V AC power line to the power port, audio line to the audio port and I/O line to the I/O port.

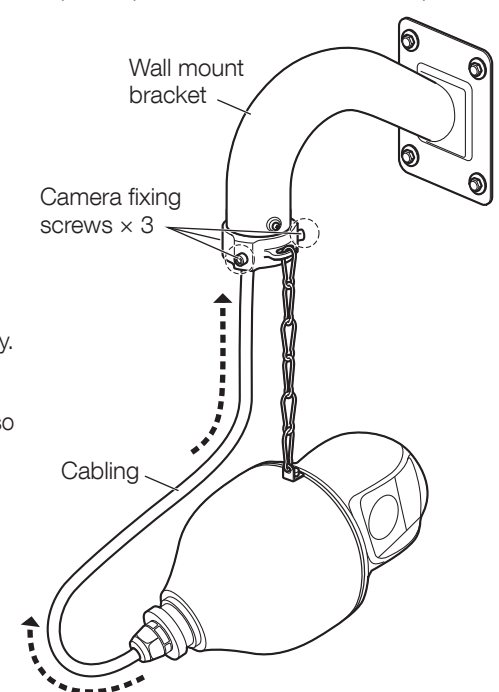
Step 9 Installing the camera.

- 1 Loosen the three camera fixing screws on the camera mount base using a 5 mm hexagon wrench (locally procured).
- 2 While inserting the connected cabling into the wall mount bracket, insert the upper portion of the camera into the camera mount base.
- 3 Tighten the three camera fixing screws on the camera mount base to fix the camera temporarily.

NOTE:

Since the camera is only fixed temporarily, be careful so that the upper portion of the camera does not fall off.

- 4 Rotate the upper portion of the camera to align the front side of the camera (the side with the Panasonic logo) with that of the wall mount bracket and tighten the three camera fixing screws firmly. (Recommended tightening torque: 1.18 N-m {0.87 lbf-ft})



IMPORTANT:

- After fixing the camera, verify that it does not rotate or wobble.

Before proceeding to Step 10 below, please read the leaflet "How to attach the fall-prevention chain to the wall" included in the package.

Step 10 Turn the power on and check the screen on the computer.

Turn on power from the 24 V AC power supply or PoE+ device and operate the camera. Check video from the camera on the computer screen and refer to "Network Configuration" on the right side of this document.

Step 11 Adjust the camera angle.

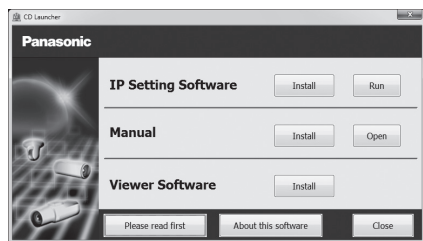
Set the PAN, TILT, and ZOOM settings by operating the software screen to adjust the camera to the desired viewing angle.

Network Configuration

Configure the setting of the camera after temporarily invalidating the firewall software. Once the camera configuration is completed, return to the original state. Contact the network administrator or your Internet service provider for information about configuring the settings of the network.

[1] Insert the provided CD-ROM into the CD-ROM drive of your PC. Double click the "CDLauncher.exe" file on the CD-ROM.

- The License Agreement will be displayed. Read the Agreement and choose "I accept the term in the license agreement", and click [OK].
- ➔ The launcher window will be displayed.



NOTE:

- Refer to "Using the CD-ROM" in the Operating Instructions on the provided CD-ROM for further information about CDLauncher.

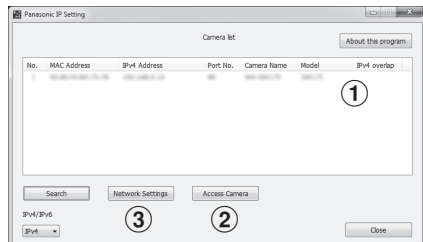
[2] Click the [Run] button next to [IP Setting Software].

- ➔ [Panasonic IP Setting] screen will be displayed. The MAC Address / IP address of the detected camera will be displayed.

[3] Select the camera you want to configure (1), and click [Access Camera] (2).

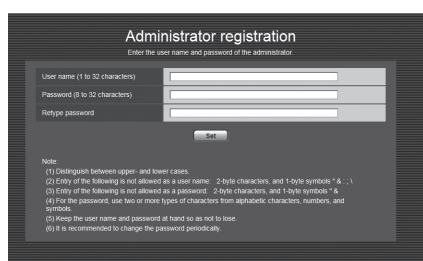
NOTE:

- Select the camera with same MAC address as the MAC address printed on the camera that you want to configure.
- To change the IP address in step [3], select [Network Settings] (3) and set the address before clicking [Access Camera] (2).



[4] When the administrator registration window is displayed, enter "User name", "Password" and "Retype password" by following the instructions displayed on the screen, and then click the [Set] button.

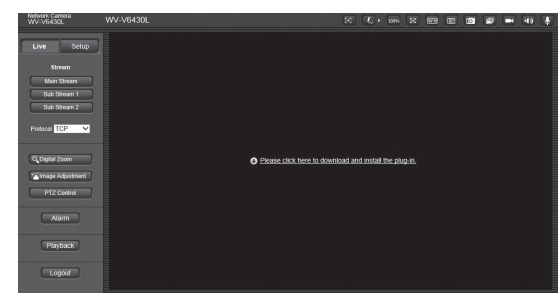
Please keep your user name and password in a safe place free from public view to ensure security. After completing the registration, the camera will automatically be re-connected and the authentication window will be displayed. Enter the registered user name and password. The user authentication is enabled in the default setting.



IMPORTANT:

- When the camera is used over the Internet, disabling the user authentication may lead to unintended access by a third party. Therefore, it is recommended to leave the user authentication enabled.

[5] If "Please click here to download and install the plug-in." is displayed in Live screen, follow the instructions to start the installation.



[6] When the live video of the camera is displayed, the network access is complete.

NOTE:

- For more information on the following content, refer to the Operating Instructions.
- Please set [Date/time] on the [Basic] screen of "Setup" before using the camera.
 - Select your language with [Language] in the [Basic] tab of the "Setup" page before using the camera.
 - The default of audio is disable. When necessary, please set [Audio] on the [Image/Audio] screen of "Setup".
 - If images are not displayed, set the Web browser to compatibility view. For details on how to configure, refer to our website (<http://security.panasonic.com/library/v/en/>).
 - To register to a Panasonic network recorder, select WV-SW598, the model number required for the WV-V6430L. Refer to the Panasonic support website for details. <http://security.panasonic.com/library/v/en/>

Trademarks and registered trademarks

- Microsoft, Windows, Windows Media, Internet Explorer, and ActiveX are either registered trademarks or trademarks of Microsoft Corporation in the United States and/or other countries.
- Microsoft product screen shot(s) reprinted with permission from Microsoft Corporation.
- All other trademarks identified herein are the property of their respective owners.