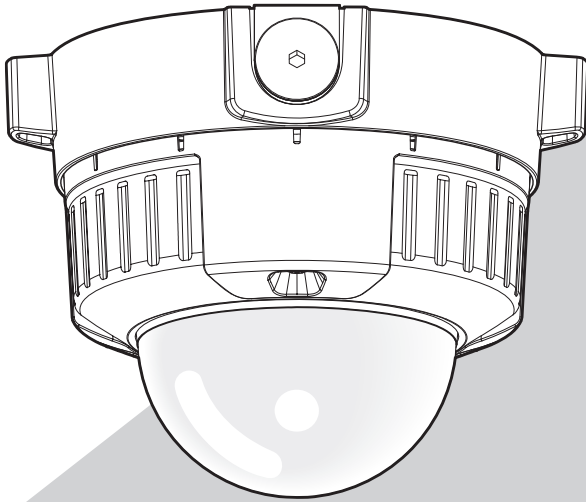


PRO

Installation Guide

Color CCTV Camera

Model No. **WV-CW630S/G**
WV-CW634SE



This illustration represents WV-CW630S/G.

For information about how to perform the settings and how to operate the camera, refer to the Operating Instructions on the provided CD-ROM. Before attempting to connect or operate this product, please read these instructions carefully and save this manual for future use.

The model number is abbreviated in some descriptions in this manual.

WARNING:

- This apparatus must be earthed.
- Apparatus shall be connected to a mains socket outlet with a protective earthing connection.
- The mains plug or an appliance coupler shall remain readily operable.
- All work related to the installation of this product should be made by qualified service personnel or system installers.
- The connections should comply with local electrical code.
- To prevent injury, this apparatus must be securely attached to the floor/wall/ceiling in accordance with the installation instructions.



The lightning flash with arrow-head symbol, within an equilateral triangle, is intended to alert the user to the presence of uninsulated "dangerous voltage" within the product's enclosure that may be of sufficient magnitude to constitute a risk of electric shock to persons.



The exclamation point within an equilateral triangle is intended to alert the user to the presence of important operating and maintenance (servicing) instructions in the literature accompanying the appliance.

CAUTION:

An ALL-POLE MAINS SWITCH with a contact separation of at least 3 mm in each pole shall be incorporated in the electrical installation of the building.

Turn the power off at the mains to disconnect the main power for all unit.

FOR YOUR SAFETY PLEASE READ THE FOLLOWING TEXT CAREFULLY.

WARNING: This apparatus must be earthed.

IMPORTANT

The wires in this mains lead are coloured in accordance with the following code.

Green-and-yellow:	Earth
Blue:	Neutral
Brown:	Live

As the colours of the wire in the mains lead of this appliance may not correspond with the coloured markings identifying the terminals in your plug, proceed as follows.

The wire which is coloured **green-and-yellow** must be connected to the terminal in the plug which is marked with the letter **E** or by the earth symbol \perp or coloured **green** or **green-and-yellow**.

The wire which is coloured **blue** must be connected to the terminal in the plug which is marked with the letter **N** or coloured **black**.

The wire which is coloured **brown** must be connected to the terminal in the plug which is marked with the letter **L** or coloured **red**.

For Europe

We declare under our sole responsibility that the product to which this declaration relates is in conformity with the standard or other normative document following the provisions of Directive 2004/108/EC.

Wir erklären in alleiniger Verantwortung, daß das Produkt, auf das sich diese Erklärung bezieht, mit der folgenden Norm oder normativen Dokument übereinstimmt. Gemäß den Bestimmungen der Richtlinie 2004/108/EC.

Nous déclarons sous notre propre responsabilité que le produit auquel se réfère la présente déclaration est conforme à la norme spécifiée ou à tout autre document normatif conformément aux dispositions de la directive 2004/108/CE.

Nosotros declaramos bajo nuestra única responsabilidad que el producto a que hace referencia esta declaración está conforme con la norma u otro documento normativo siguiendo las estipulaciones de la directiva 2004/108/CE.

Noi dichiariamo sotto nostra esclusiva responsabilità che il prodotto a cui si riferisce la presente dichiarazione risulta conforme al seguente standard o altro documento normativo conforme alle disposizioni della direttiva 2004/108/CE.

Wij verklaren als enige aansprakelijke, dat het product waarop deze verklaring betrekking heeft, voldoet aan de volgende norm of ander normatief document, overeenkomstig de bepalingen van Richtlijn 2004/108/EC.

Vi erklærer os eneansvarlige for, at dette produkt, som denne deklaration omhandler, er i overensstemmelse med standard eller andre normative dokumenter i følge bestemmelserne i direktiv 2004/108/EC.

Vi deklarerar härmed vårt fulla ansvar för att den produkt till vilken denna deklaration hänvisar är i överensstämmelse med standarddokument eller annat normativt dokument som framställs i direktiv 2004/108/EC.

Ilmoitamme yksinomaisella vastuullamme, että tuote, jota tämä ilmoitus koskee, noudattaa seuraavaa standardia tai muuta ohjeellista asiakirjaa, jotka noudattavat direktiivin 2004/108/EC säädöksiä.

Vi erklærer oss alene ansvarlige for at produktet som denne erklæringen gjelder for, er i overensstemmelse med følgende norm eller andre normgivende dokumenter som følger bestemmelsene i direktiv 2004/108/EC.

For Finland

Laitte on liitettävä suojakoskettimilla varustettuun pistorasiaan.

For Norway

Apparatet må tilkoples jordet stikkontakt.

For Sweden

Apparaten skall anslutas till jordat uttag.

Important safety instructions

- 1) Read these instructions.
- 2) Keep these instructions.
- 3) Heed all warnings.
- 4) Follow all instructions.
- 5) Do not block any ventilation openings. Install in accordance with the manufacturer's instructions.
- 6) Do not install near any heat sources such as radiators, heat registers, stoves, or other apparatus (including amplifiers) that produce heat.
- 7) Protect the power cord from being walked on or pinched particularly at plugs, convenience receptacles, and the point where they exit from the apparatus.
- 8) Only use attachments/accessories specified by the manufacturer.
- 9) Use only with the cart, stand, tripod, bracket, or table specified by the manufacturer, or sold with the apparatus. When a cart is used, use caution when moving the cart/apparatus combination to avoid injury from tip-over.



- 10) Unplug this apparatus during lightning storms or when unused for long periods of time.
- 11) Refer all servicing to qualified service personnel. Servicing is required when the apparatus has been damaged in any way, such as power-supply cord or plug is damaged, liquid has been spilled or objects have fallen into the apparatus, the apparatus has been exposed to rain or moisture, does not operate normally, or has been dropped.

Limitation of liability

THIS PUBLICATION IS PROVIDED "AS IS" WITHOUT WARRANTY OF ANY KIND, EITHER EXPRESS OR IMPLIED, INCLUDING BUT NOT LIMITED TO, THE IMPLIED WARRANTIES OF MERCHANTABILITY, FITNESS FOR ANY PARTICULAR PURPOSE, OR NON-INFRINGEMENT OF THE THIRD PARTY'S RIGHT.

THIS PUBLICATION COULD INCLUDE TECHNICAL INACCURACIES OR TYPOGRAPHICAL ERRORS.

CHANGES ARE ADDED TO THE INFORMATION HEREIN, AT ANY TIME, FOR THE IMPROVEMENTS OF THIS PUBLICATION AND/OR THE CORRESPONDING PRODUCT (S).

Disclaimer of warranty

IN NO EVENT SHALL i-PRO Co., Ltd. BE LIABLE TO ANY PARTY OR ANY PERSON, EXCEPT FOR REPLACEMENT OR REASONABLE MAINTENANCE OF THE PRODUCT, FOR THE CASES, INCLUDING BUT NOT LIMITED TO BELOW:

- (1) ANY LOSS OR DAMAGE, INCLUDING WITHOUT LIMITATION, DIRECT OR INDIRECT, SPECIAL, CONSEQUENTIAL OR EXEMPLARY, ARISING OUT OF OR RELATING TO THE PRODUCT;
- (2) ANY INCONVENIENCE, LOSS, OR DAMAGE CAUSED BY INAPPROPRIATE USE OR NEGLIGENT OPERATION OF THE USER;
- (3) ALL MALFUNCTIONS OR TROUBLES FROM UNAUTHORIZED DISASSEMBLE, REPAIR OR MODIFICATION OF THE PRODUCT BY THE USER, REGARDLESS OF THE CAUSE OF THE MALFUNCTION OR TROUBLE;
- (4) INCONVENIENCE OR ANY LOSS ARISING WHEN IMAGES ARE NOT DISPLAYED, DUE TO ANY REASON OR CAUSE INCLUDING ANY FAILURE OR PROBLEM OF THE PRODUCT;
- (5) ANY PROBLEM, CONSEQUENTIAL INCONVENIENCE, OR LOSS OR DAMAGE, ARISING OUT OF THE SYSTEM COMBINED BY THE DEVICES OF THIRD PARTY;
- (6) ANY CLAIM OR ACTION FOR DAMAGES, BROUGHT BY ANY PERSON OR ORGANIZATION BEING A PHOTOGENIC SUBJECT, DUE TO VIOLATION OF PRIVACY WITH THE RESULT OF THAT SURVEILLANCE-CAMERA'S PICTURE, INCLUDING SAVED DATA, FOR SOME REASON, BECOMES PUBLIC OR IS USED FOR ANY PURPOSE;
- (7) LOSS OF REGISTERED DATA CAUSED BY ANY FAILURE.

Contents

Important safety instructions.....	4
Limitation of liability.....	5
Disclaimer of warranty.....	5
Preface	7
Features.....	7
About the user manuals	8
Trademarks and registered trademarks.....	8
Precautions	9
Precautions for Installation.....	11
Major operating controls and their functions	13
Preparations	15
Make a connection.....	20
Camera installation.....	24
Setup menu.....	33
Basic operation	34
Troubleshooting.....	37
Specifications.....	38
Standard accessories.....	40
Optional Accessories	40

Preface

This product is a 1/3-inch type {1/3"} CCD color CCTV camera. Connection of this product to a video monitor allows users to use this product as a monitoring camera.

Features

Super Dynamic 6

For photographic subjects which contain high contrast between the bright and dark areas, light compensation on the pixel level will result in more natural-looking images.

Introduction of newly developed high-resolution CCD

The introduction of the newly developed CCD with 976 of horizontal pixels has led to the horizontal resolution of as high as 700 TV lines (typ.).

Auto back focus (ABF) function equipped

Moving the CCD inside the camera to an optimal position with the operation button of this unit or the setup menu allows users to automatically adjust the back focus.

The back focus is adjustable with the setup menu through the system controller (option) even after installation of this unit.

The auto back focus function also allows users to correct out of focus when changing between color and black-and-white images.

High sensitivity achieved thanks to noise reduction function

The introduction of low noise circuit design has achieved excellently high sensitivity resulting in the minimum illuminance of 0.08 lx in the color mode and 0.008 lx in the black-and-white mode.

Night monochrome image activation function equipped

No operation is required at night because the image automatically changes from the color mode to the black-and-white mode at low illuminance.

Motion detection function (VMD) equipped

The motion of an object is detectable. The acts of covering the camera with a cloth, a cap or other acts and changing the camera direction during surveillance can be detected.

Note:

- The VMD function is not the dedicated function to prevent thefts, fires, etc. We are not responsible for any accidents or damages caused by applying the function for the above purposes.
-

Optional heater unit can be connected

When using the optional heater unit, the product can be used at temperatures within $-30\text{ }^{\circ}\text{C}$ to $+60\text{ }^{\circ}\text{C}$ and humidity within 10 % to 90 %.

The camera conforms to the IP66*1 and provides high dust resistance and waterproof performance.

Waterproofing treatment is not required for the camera body (waterproofing treatment is required for cable connections).

*1 IP66 rating: The applicable product has "Dust tight (6)" protection against foreign solids and has "Powerful water jets (6)" against water (IEC60529).

About the user manuals

The operating instructions of the camera consist of 2 sets: this book and operating instructions (PDF).

This book explains how to install the camera.

Refer to the "Operating Instructions (PDF)" on the provided CD-ROM for descriptions of how to perform the unit settings. Adobe® Reader® is required to read PDF. When the Adobe® Reader® is not installed on the PC, download the latest Adobe® Reader® from the Adobe web site and install it.

Trademarks and registered trademarks

Adobe, Acrobat Reader and Reader are either registered trademarks or trademarks of Adobe Systems Incorporated in the United States and/or other countries.

Precautions

The following points as well as the contents of "Warning" and "Caution" shall be observed.

Refer installation work to the dealer.

Installation work requires technique and experiences. Otherwise injury, or damage to the product may result.

Be sure to consult the dealer.

Do not insert objects inside the product.

If water or metallic items enter the product, it may cause fire or electric shock.

Turn the power off immediately and contact qualified service personnel for service.

Do not attempt to disassemble or modify the product.

Failure to observe this may cause fire or electric shock.

Consult the dealer for the repair or inspections.

Stop operation immediately when something is wrong with the product.

When smoke goes up from the product or the smell of smoke comes from the product, continued use will result in fire, injury, or damage to the product.

Turn the power off immediately and contact qualified service personnel for service.

Select an installation area that can support the total weight.

Selecting an inappropriate installation surface may cause the product to fall down or topple over, resulting in injury.

Installation work shall be started after sufficient reinforcement.

Periodic inspections shall be conducted.

Rust on the metal parts or screws may cause the product to fall down resulting in injury.

Consult the dealer for the inspections.

This product shall be installed in a vibration-free place.

Failure to observe this may cause screws and bolts to be loosened and consequently to fall resulting in injury.

Install this product in a location high enough to avoid people and objects from bumping the product.

Failure to observe this may cause a drop resulting in injury or accidents.

Do not strike or give a strong shock to this product.

Failure to observe this may cause injury or fire.

Turn the power off when do wiring of this product.

Failure to observe this may cause electric shock. A short circuit or wrong wiring may cause fire.

Do not use the product in an atmosphere of flammable gases.

Failure to observe this may cause injury by explosion.

Avoid installing the product in locations where it is subject to damage by salt or corrosive gas.

Otherwise the mounting fixtures will deteriorate, causing the product to fall down and leading to accidents.

Use the specified mount bracket.

Failure to observe this may cause a drop resulting in injury or accidents.

Do not rub the edges of metal parts with your hand.

Failure to observe this may cause injury.

Tighten screws and mounting fixtures to the specified torque.

Failure to observe this may cause a drop resulting in injury or accidents.

[Precautions for use]

This product has no power switch.

Turn the power off when cleaning the product.

To keep on using with stable performance

Parts of this product may deteriorate and it may shorten the lifetime of this product when using in locations subject to high temperatures and high humidity.

Do not expose this product to direct heat sources such as a heater.

Handle this product with care.

Do not abuse this product. Avoid striking, shaking, etc. The product could be damaged by improper handling or storage. If a strong shock or vibration is applied to the enclosure, it may cause damage or allow water to enter this product.

Do not touch the dome cover with your bare hands.

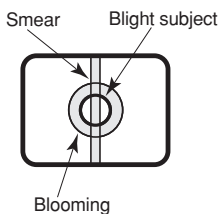
A dirty dome cover causes deterioration of picture quality.

Discoloration on the CCD color filter

When continuously shooting a bright light source such as a spotlight, the color filter of the CCD may have deteriorated and it may cause discoloration. Even when changing the fixed shooting direction after continuously shooting a spotlight for a certain period, the discoloration may remain.

Do not aim this product at strong light sources.

A light source such as a spot light causes a blooming (light bleeding) or a smear (vertical lines).



Cleaning this product body

Turn the power off when cleaning the product. Do not use strong abrasive detergent when cleaning this product. Otherwise, it may cause discoloration. When using a chemical cloth for cleaning, read the caution provided with the chemical cloth product.

To remove stubborn stains

When the dirt is hard to remove, use a mild detergent and wipe gently. Then, wipe off the remaining detergent with a dry cloth.

What to do if "OVER HEAT" appears on the display

This message indicates that the inside of the camera has become extremely hot. Immediately turn off the power of the camera and contact your dealer.

What to do if "WARMING UP-PLEASE WAIT" appears on the display*

This message indicates that the temperature inside the camera has become extremely low. In such a case, wait until the heater unit (option) raises the internal temperature (for around 2 hours or more in low temperatures below -10°C), and turn on the power again.

* To ensure this function works normally, the heater unit (option) is required.

What to do if "CAMERA TEMP. TOO COLD. POWER ON AT -30 DEG C (-22 DEG F) OR MORE." appears on the display

The ambient temperature is too cold. Please turn on the power under the conditions where the ambient temperature is above -30°C .

Precautions for Installation

The following points as well as the contents of "Warning" and "Caution" shall be observed.

i-PRO Co., Ltd. assumes no responsibility for injuries or property damage resulting from failures arising out of improper installation or operation inconsistent with this documentation.

Installation work shall be performed in accordance with the technology standard of the electric installation.

Keep the product out of direct sunlight.

When the product is installed in areas that receive direct sunlight, such as on external walls, use the optional "Sun Shade WV-Q7118".

Installing place

Contact your dealer for assistance if you are unsure of an appropriate place in your particular environment.

- Make sure that the installation area is strong enough to hold the product, such as a concrete ceiling.
- Install the camera in the foundation area of the architecture or where sufficient strength is assured.
- If a ceiling board such as plaster board is too weak to support the total weight, the area shall be sufficiently reinforced.

Avoid installing this product in the following locations.

- Locations where a chemical agent is used such as a swimming pool.
- Locations subject to steam and oil smoke such as a kitchen, Locations near flammable gas or vapor.
- Locations where radiation or x-ray emissions are produced.
- Locations where corrosive gas is produced, Locations where it may be damaged by briny air such as seashores.

- Locations where the temperature is not within $-10\text{ }^{\circ}\text{C}$ to $+60\text{ }^{\circ}\text{C}$. (When using the optional heater unit, the product can be used at temperatures within $-30\text{ }^{\circ}\text{C}$ to $+60\text{ }^{\circ}\text{C}$ and humidity below 90 %.)
- Locations subject to vibrations. (This product is not designed for on-vehicle use.)

Avoid moist or dusty places to install this system.

Otherwise, lifetime of the internal parts may be shortened.

Avoid installing the camera in a place with a high level of noise.

Installation near an air conditioner, an air cleaner, a vending machine, or the like causes noise.

Be sure to remove this product if it is not in use.

Keep the camera cable away from the lighting cable.

Failure to observe this may cause noise.

Radio interference

When the camera is used near TV/radio antenna, strong electric field or magnetic field (near a motor or a transformer), images may be distorted and noise sound may be produced.

In such a case, run the camera cable through specialized steel conduit tubes.

Locally procure the screws

Screws are not supplied with this product. Prepare the screws according to the material, structure, strength and other factors of the mounting area and the total weight of objects to be mounted.

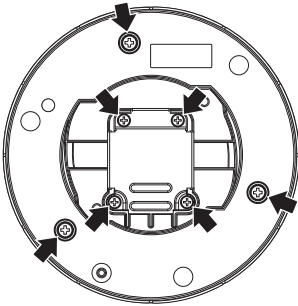
Mounting screws

- The screws and bolts must be tightened with an appropriate tightening torque according to the material and strength of the installation area.
- Do not use an impact driver. Failure to observe this may cause overtightening and consequently damage to the screws.
- When a screw is tightened, make the screw at a right angle to the surface. After tightening the screws or bolts, perform visual check to ensure tightening is enough and there is no backlash.

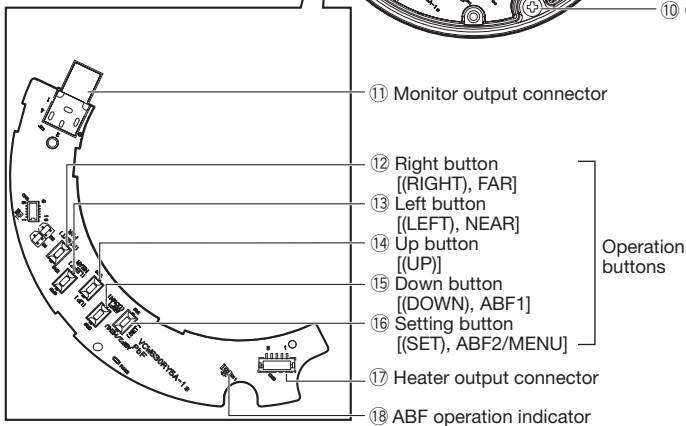
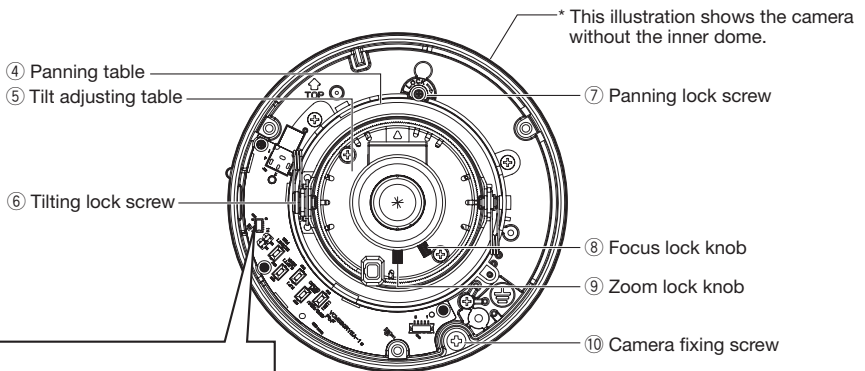
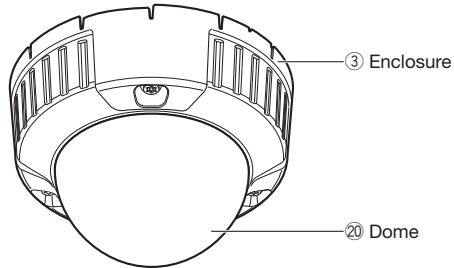
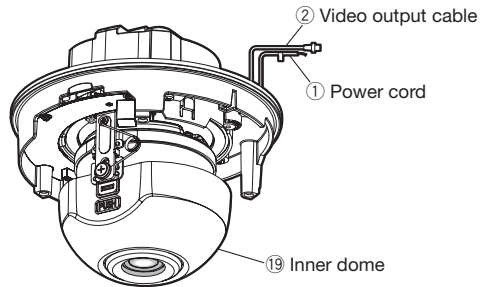
Do not remove or loosen the screws.

Do not remove or even loosen the screws (7 pieces) on the rear of the camera.

Otherwise, water exposure may cause damage or malfunction of camera, or camera dropping may result in injury.



Major operating controls and their functions



- ① **Power cord**
- ② **Video output cable**
- ③ **Enclosure**
- ④ **Panning table**
Rotate this table to adjust the panning angle of the camera.
- ⑤ **Tilt adjusting table**
Adjust the azimuth angle of the image.
- ⑥ **Tilting lock screw**
Locks the tilt position.
- ⑦ **Panning lock screw**
Fixes the panning table.
- ⑧ **Focus lock knob**
Locks the focal point.
- ⑨ **Zoom lock knob**
Locks the zoom point.
- ⑩ **Camera fixing screw**
Fix the attachment on the camera body.
- ⑪ **Monitor output connector**
Connect the monitor for adjustment to this output connector.
- ⑫ **Right button [(RIGHT), FAR]**
Moves the cursor to the right, selects the mode and adjusts some levels.
- ⑬ **Left button [(LEFT), NEAR]**
Moves the cursor to the left, selects the mode and adjusts some levels.
- ⑭ **Up button [(UP)]**
Moves the cursor upward and selects items in the setup menu.
(Pressing and holding for 3 s, SD6 ON/OFF)
- ⑮ **Down button [(DOWN), ABF1]**
Moves the cursor downward and selects items in the setup menu. Refer to page 30 for further information about [ABF1].
(Pressing and holding for 3 s, image upside-down)
- ⑯ **Setting button [(SET), ABF2/MENU]**
Confirms the setting contents. Refer to page 32 for further information about [ABF2].
- ⑰ **Heater output connector**
The cable of heater unit (option) is connected to this connector. (☞ page 23)
- ⑱ **ABF operation indicator**
Indicates the status of ABF operation.
- ⑲ **Inner dome**
- ⑳ **Dome**

Preparations

When installing the camera on a wall or a ceiling, there are two methods as specified below.
(☞ Next page)

- Using a two-gang junction box (locally procured)
- Using the camera mount bracket (accessory)

Refer to all work related to the installation of this product to qualified service personnel or system installer.

Important:

- Prepare the mounting screw according to the material of the area where the attachment plate (accessory) is to be installed. In this case, wood screws and nails should not be used. For mounting a camera on a concrete ceiling, use an anchor bolt (M4) or an AY plug bolt (M4) for securing.
(Recommended tightening torque M4: 1.6 N·m)
 - Required pull-out capacity of a single screw/bolt is 196 N or more.
 - If a ceiling board such as plaster board is too weak to support the total weight, the area shall be sufficiently reinforced.
 - When using an optional mount bracket, refer to the operating instructions of the bracket in use.
-

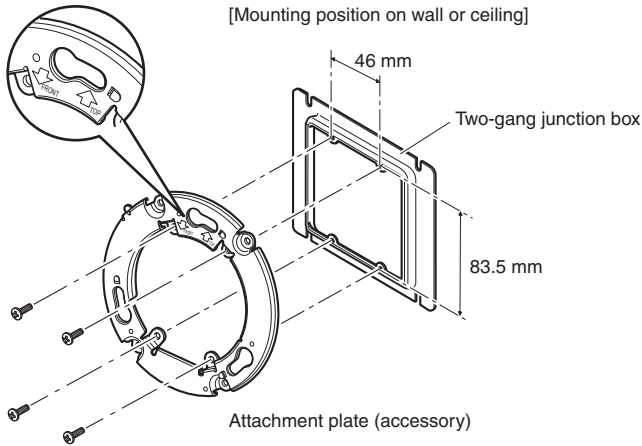
The mounting conditions of the camera mount bracket are described as follows:

Installation place	Applicable mount bracket	Recommended screw	Number of screw	Minimum pull-out strength (per 1 pc.)
Ceiling/wall	Two-gang junction box (locally procured)	M4 or equivalent	4 pcs.	196 N
Ceiling/wall	Camera mount bracket	M4 or equivalent	4 pcs.	196 N
Ceiling/wall	Optional mount brackets (Refer to page 40)	–	–	*

* Make sure that the installed mount bracket can support more than 5 times of the total weight of the camera, attachment plate and screws.

Using a two-gang junction box (locally procured)

- When the camera is installed using the two-gang junction box, mount the attachment plate (accessory) to the embedded box installed on the wall or ceiling as a first step.



Note:

- For wall mounting:
Installation shall be performed in such a manner that "↑TOP" of the attachment plate faces upward.
 - For ceiling mounting:
The front side (model number indication face) of the camera shall be aligned in the direction of the arrow in "↓FRONT" on the attachment plate.
-

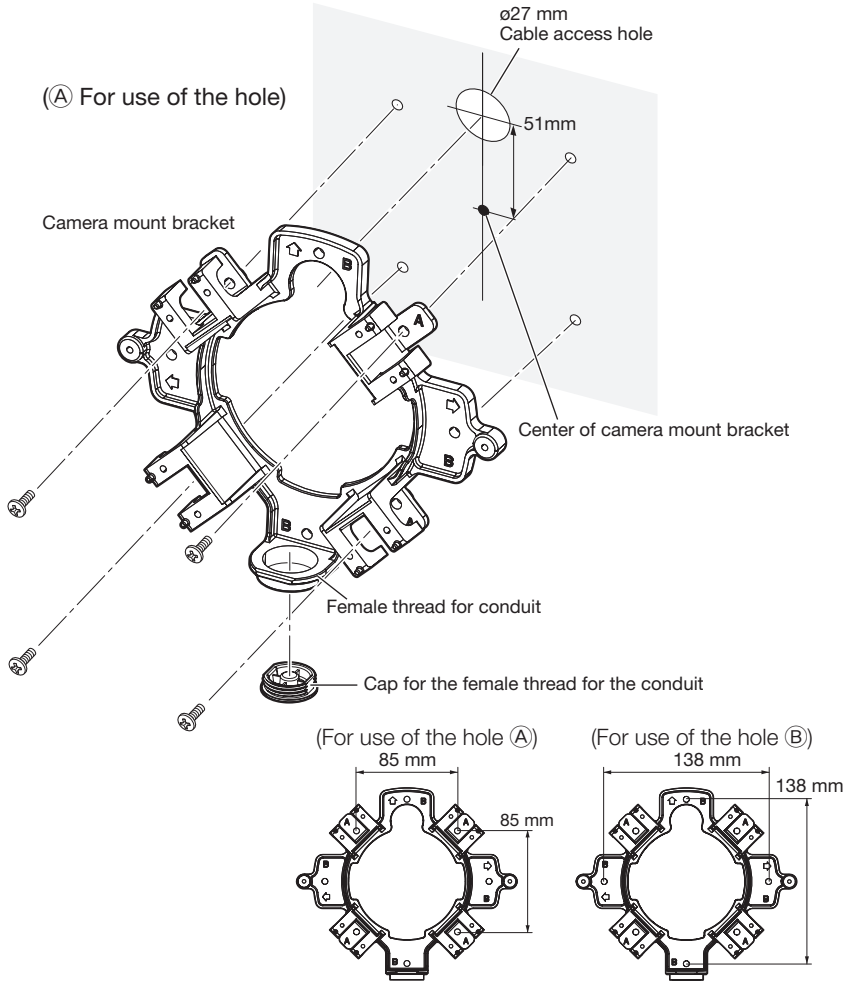
Using the camera mount bracket (accessory)

- When installing the camera with the camera mount bracket, attach the camera mount bracket to the wall or ceiling in the first place. (☞ next page.)
Mount the attachment plate (accessory) by using the screws supplied with mount bracket. (☞ next page.)
(Recommended tightening torque: 0.78 N·m)

Note:

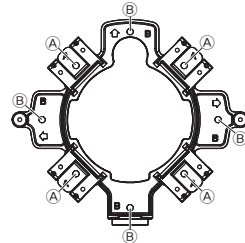
- When installing the camera on the wall or ceiling where cable holes are already provided, or when installing the camera with exposed wiring, the mount bracket shall be used.
 - The female thread for conduit is compliant with ANSI NPSM (parallel pipe threads) 3/4 or ISO 228-1 (parallel pipe threads) G3/4.
Cap for the female thread for the conduit shall be removed with a hexagon wrench.
 - To connect conduit from the top, refer to page 19.
-

1 Install the camera mount bracket on the wall/ceiling.



Note:

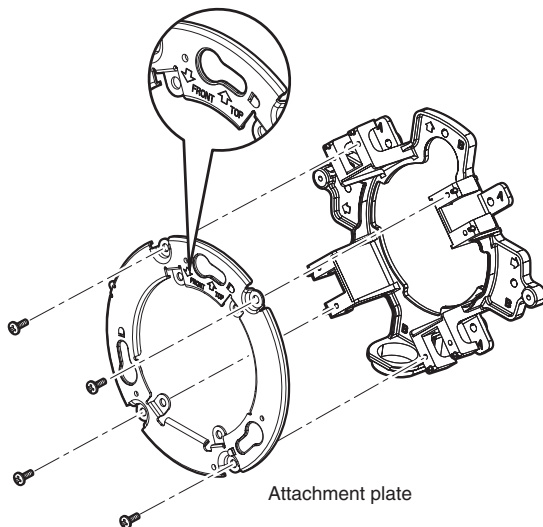
- Only the same type of holes, (A) or (B), shall be used for mounting.



2 Previously run the cables from the wall or ceiling through the cable access hole.

3 Mount the attachment plate onto the mount bracket.

Recommended tightening torque: 0.78 N·m

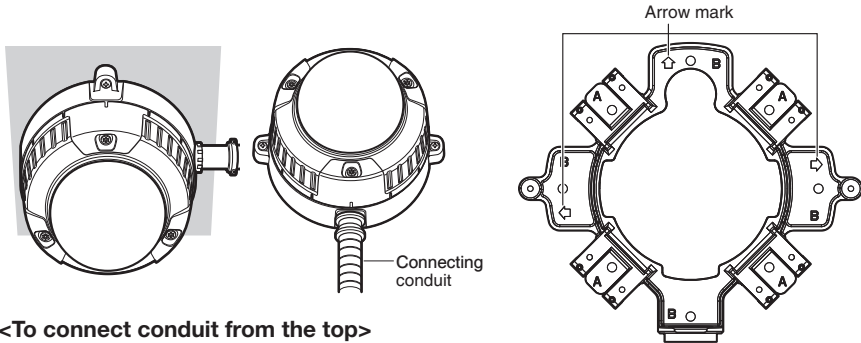
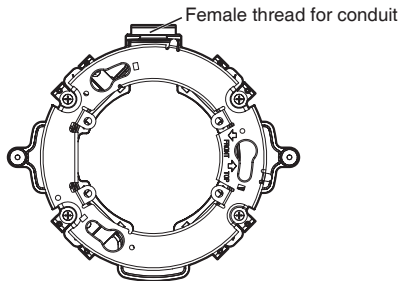


Note:

- For wall mounting:
Installation shall be performed in such a manner that "↑TOP" of the attachment plate faces upward. (Except for the case of connecting the conduit from the top. (☞ page 19))
 - For ceiling mounting:
The front side (model number indication face) of the camera shall be aligned in the direction of the arrow in "↓FRONT" on the attachment plate.
 - Ensure that any one of the arrows on the mount bracket is aligned with the arrow of "↑TOP" on the attachment plate.
-

Important:

- If open wiring is conducted, be sure to use conduits and run the cables inside the tubes to protect the cables from direct sunlight.
- When the conduit is connected at the lateral or bottom position, either of the arrow marks on the bracket shall be the top position.
- When the conduit is connected from the top, the arrow mark on the attachment shall be either of the right or left position.

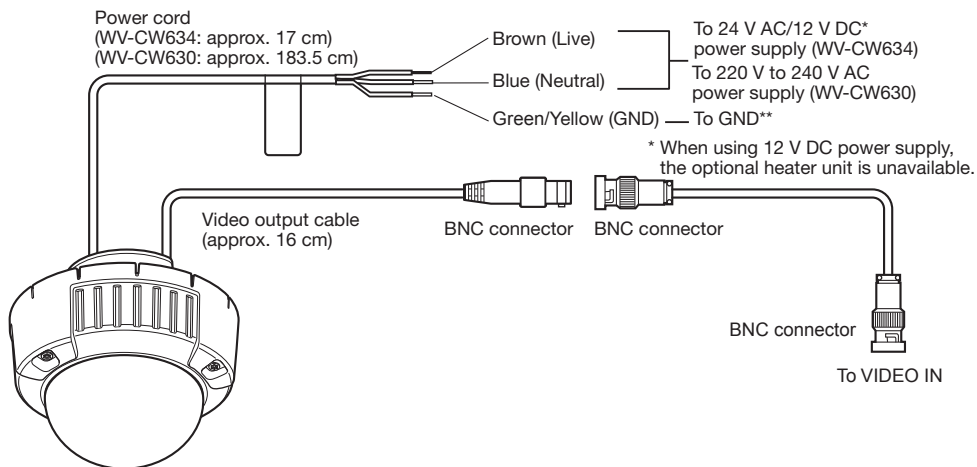
<To connect conduit from the side or bottom>**<To connect conduit from the top>**

- Installation work shall be such that there is no intrusion of water into the architecture through the conduits having been joined.
-

Make a connection

Cautions:

- ONLY CONNECT WV-CW634 TO 24 V AC OR 12 V DC CLASS 2 POWER SUPPLY (UL 1310/CSA 223) or LIMITED POWER SOURCE (IEC/EN/UL/CSA 60950-1).
- Be sure to connect the grounding lead to the GND terminal.



● Video output connection

The video output connector is connected to the monitor or other system devices with a coaxial cable (locally procured).

The maximum extensible length is shown in the table.

Type of coaxial cable	RG-59/U (3C-2V)	RG-6/U (5C-2V)	RG-11/U (7C-2V)	RG-15/U (10C-2V)
Recommended maximum cable length	m 250	500	600	800

● Power connection

Precaution:

The following connections should be made by qualified service personnel or system installers in accordance with local electrical code.

● Wire colors & functions

Camera power cord

<WV-CW634>

Wire color	24 V AC	12 V DC
Brown	24 V AC (L)	Positive
Blue	24 V AC (N)	Negative
Green/yellow	To GND	** (not in use)

<WV-CW630>

Wire color	220 V to 240 V AC
Brown	220 V to 240 V AC (L)
Blue	220 V to 240 V AC (N)
Green/yellow	To GND

Cautions:

- Be sure to connect the GND (grounding) lead of the camera and grounding terminal of the power supply when using a 24 V AC (WV-CW634) or 220 V to 240 V AC (WV-CW630) power source.

- Shrinking the cable-entry seal is a onetime procedure. Do not shrink the cable-entry seal until it has been ascertained that unit is functioning.
ONLY CONNECT THIS TO 24 V AC or 12 V DC CLASS 2 POWER SUPPLY.

Important:

When using 12 V DC power supply, the heater is unavailable.

• **Cord length and wire gauge**

24 V AC

The recommended cord length and copper wire size are shown in the table for reference. The voltage supplied to the camera should be between 19.5 V AC and 28 V AC.

Recommended wire gauge for 24 V AC line.

Copper wire size (AWG)	#24 (0.22 mm ²)	#22 (0.33 mm ²)	#20 (0.52 mm ²)	#18 (0.83 mm ²)
Length of cable (approx.) m	20	30	45	75

12 V DC

The recommended resistance and copper wire size are shown in the table for reference. The voltage supplied to the camera should be between 10.8 V DC and 16 V DC.

Resistance of copper wire [20 °C]

Copper wire size (AWG)	#24 (0.22 mm ²)	#22 (0.33 mm ²)	#20 (0.52 mm ²)	#18 (0.83 mm ²)
Resistance (Ω/m)	0.078	0.050	0.03	0.018

Use the formula below to calculate the power cord and power supply.

"L", "R", "V_A", "I" shall satisfy the inequality below.

$$10.8 \text{ V DC} \leq V_A - 2(R \times I \times L) \leq 16 \text{ V DC}$$

L: Cord length (m)

R: Resistance of copper wire (Ω/m)

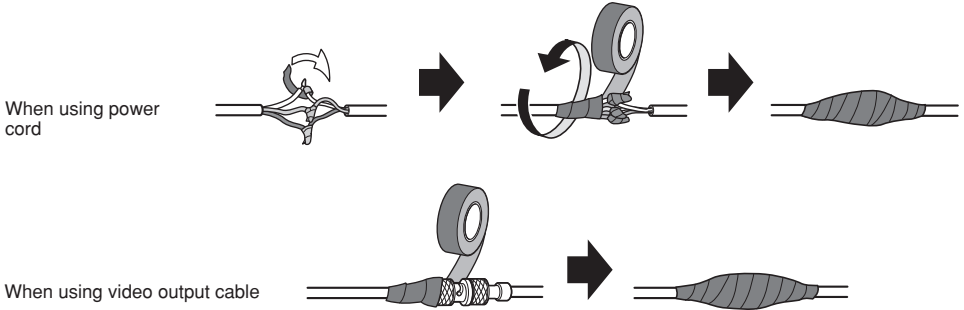
V_A: DC output voltage of power supply unit

I: DC current consumption (A). See specifications.

Waterproof treatment for the cable joint sections

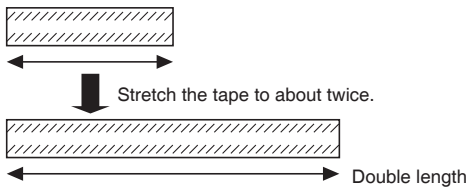
Adequate waterproof treatment is required for the cables when the camera with exposed cables is installed by means of the camera mount bracket or it is installed under the eaves. The camera body is waterproof, but the cable ends are not waterproof.

Be sure to use the supplied waterproof tape at the connection parts of the power cord and video output cable to apply waterproof treatment in the following procedure. Failure to observe this may cause water leakage resulting in malfunction.



<How to wind the supplied waterproof tape>

Stretch the tape by approx. twice (see the illustration below) and wind it around the cable. Insufficient tape stretch causes insufficient waterproofing.



Note:

- To install this product outdoors, be sure to waterproof the cables. The camera body is waterproof (IEC IP66 or equivalent) only when installation specified in this document and appropriate waterproofing are properly performed. The bracket is not waterproof.
 - The cable shall be wound with waterproof tape in a half-overlapping manner.
-

Optional Heater Unit WV-CW5HA (option)

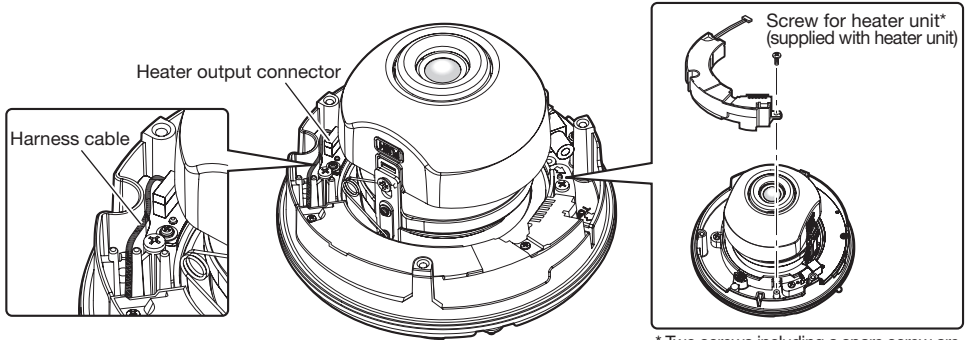
Installing the heater unit enables the camera to operate in a low-temperature environment below $-30\text{ }^{\circ}\text{C}$. The heater turns on automatically when the temperature inside the camera drops below $+10\text{ }^{\circ}\text{C}$ and turns off when the temperature rises. A small fan inside the unit will minimize condensation on the surface of the enclosure caused by changes in ambient temperature unless temperatures change too rapidly.

Important:

- When using 12 V DC power supply, the optional heater unit is unavailable (WV-CW634).
 - Turning the heater on and off may disturb the camera images.
 - The power supply of the camera shall be turned off when mounting or dismantling the heater. When servicing, pay attention to high temperature on the surface of the heater unit. Disconnect the harness and wait until the heater unit cools.
 - When the camera is installed and operated in low temperatures below $-10\text{ }^{\circ}\text{C}$, normal images may not be obtained immediately after startup. In such a case, wait approximately 60 minutes or more.
-

How to install the heater unit

- ① Remove the camera's enclosure and mount it in the specified position as shown in the drawing with the supplied screw.
- ② Connect the heater unit cable to the connector of the camera.



* Two screws including a spare screw are provided as the standard accessories.

Important:

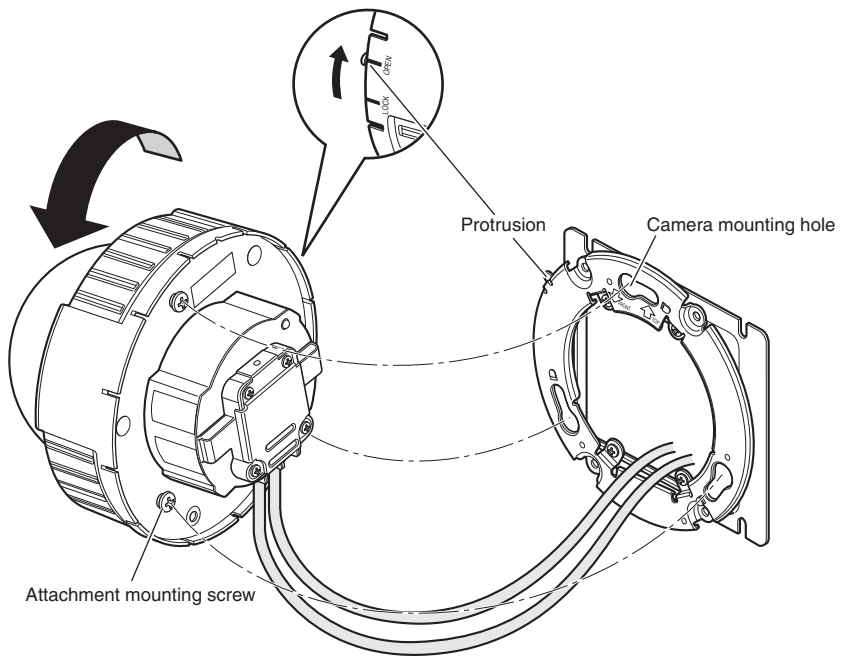
- After mounting the heater unit, arrange the harness cable as shown in the drawing so as not to be tangled around the enclosure, safety wire, and equipment inside the camera.
-

Camera installation

1 Mount the camera.

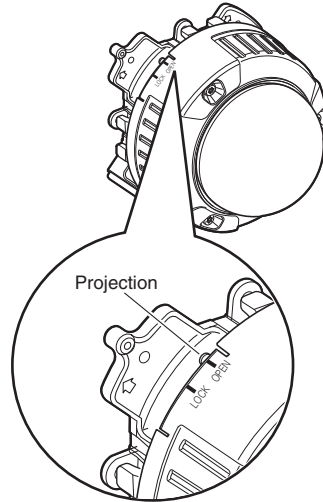
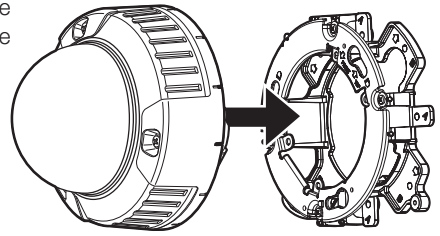
<To mount the camera on a two-gang junction box>

- ① Connect the power cord and the video output cable. (☞ page 20)
- ② Align the "OPEN" mark of the camera with the protrusion of the attachment plate.
- ③ Engage the attachment mounting screw of the camera with the camera mounting hole of the attachment plate and rotate the camera in the direction of the arrow to the "LOCK" position to secure the camera to the attachment plate without any backlash.



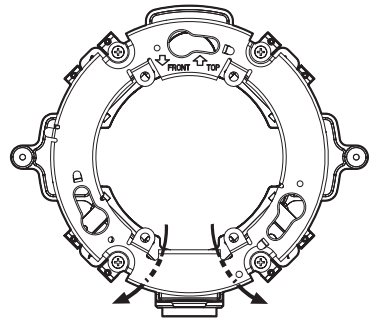
<To use the camera mount bracket>

- ① Attach the camera onto the attachment plate while aligning the "OPEN" mark of the camera with the projection of the attachment plate.

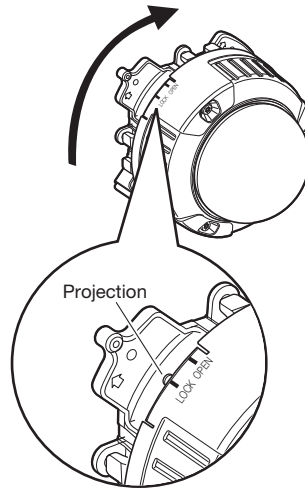


Important:

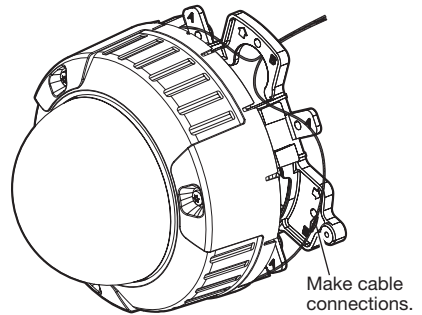
- When mounting the camera body, cables shall be run between the attachment plate and camera mount bracket as indicated by the arrow in the illustration.
- * Cable running as indicated by the arrow is an example. Cable running shall be varied with installation environment.



- ② Engage the attachment mounting screw of the camera with the camera mounting hole of the attachment plate and rotate the camera in the direction of the arrow to the "LOCK" position to secure the camera to the attachment plate without any backlash.



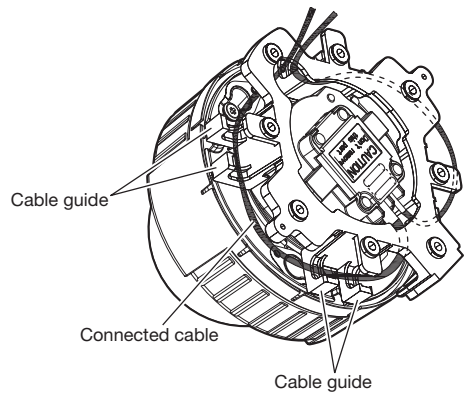
- ③ Connect the power cord and the video output cable at the side of the camera mount bracket. (☞ page 20)
Apply waterproof treatment to the connected section. (☞ page 22)



- ④ Accommodate the connected cables inside the cable guide of the camera mount bracket.

Important:

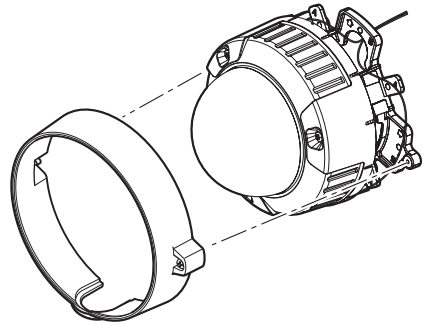
- To prevent the cables from being caught when the cover is attached, keep the cables inside the cable guide.
-



- ⑤ Mount the supplied base cover on the camera mount bracket.

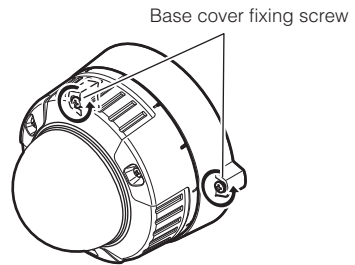
Important:

- To prevent the cables from being caught when the base cover is attached, keep the cables inside the cable guide.
-



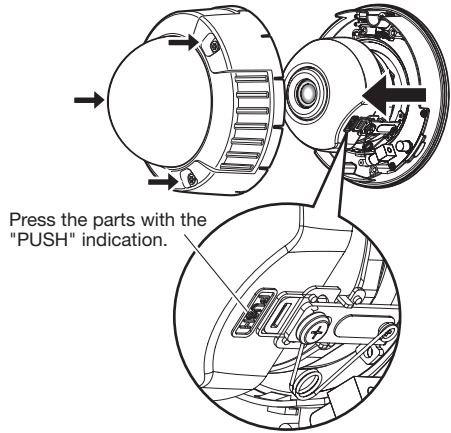
Base cover

- ⑥ Use the bit for tamperproof screw (accessory) to tighten the fixing screws provided on both sides of the base cover.
(Recommended tightening torque: 0.78 N·m)



2 Remove the enclosure and inner dome from the main body by loosening the three fixing screws.

Loosen the three fixing screws by using the provided bit for tamperproof screw. Detach the inner dome while pushing the parts with the "PUSH" indication.



Important:

- Do not hold the inner dome when carrying the camera. Otherwise, the camera part may fall and it may damage the camera.

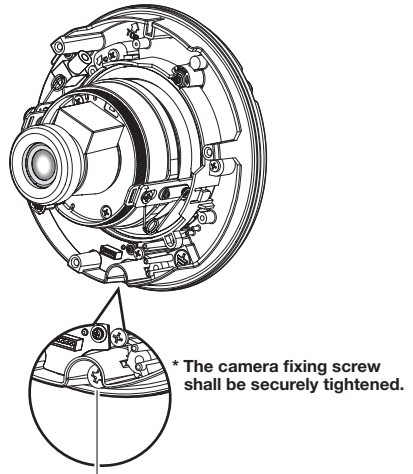
Note:

- Perform the same procedure when replacing with the optional dome cover WV-CW4SA.

3 Secure the camera to the bracket with the camera fixing screw (red, 1 position).

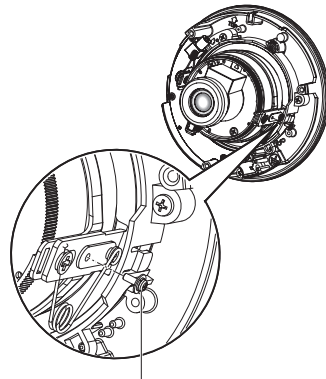
Important:

- The camera fixing screw shall be securely tightened. Otherwise, water exposure may cause damage or malfunction of camera, or camera dropping may result in injury. (Recommended tightening torque: 0.78 N·m)



Camera fixing screw (red)

4 Remove the screw (blue, 1 position) for transport protection with a Phillips screw driver.



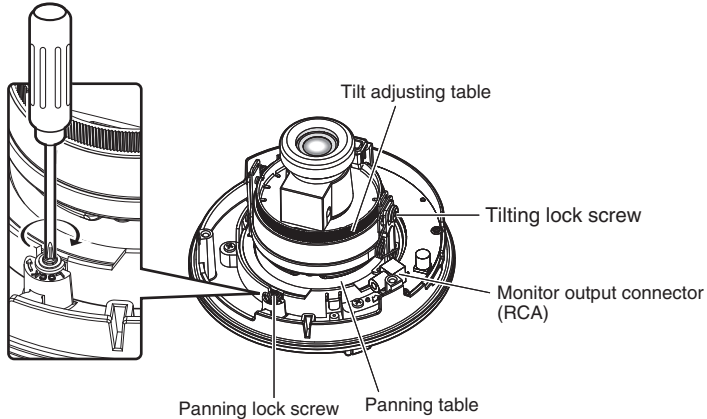
Screw for transport protection (blue)

Adjust the camera

1 Be sure to view the monitor for adjustment when the camera angle is adjusted.

Connect the monitor for adjustment (e.g. a small LCD) to the monitor output connector, and adjust the camera angle.

When determining the camera angle, repeat fine follow the adjusting procedure of ①, ②, and ③ shown below.



- ① Loosen the panning lock screw and rotate the camera head horizontally to adjust panning, and tighten the panning lock screw. (Panning range: $\pm 170^\circ$)
- ② Loosen the tilting lock screws and rotate the camera head vertically to adjust tilting, and tighten the tilting lock screw. (Tilting range: $\pm 75^\circ$)
- ③ Rotate the tilt adjusting table, and adjust the azimuth angle of the image. (Azimuth range: $\pm 100^\circ$)

Important:

- The panning lock screw and the tilting lock screw shall be securely tightened. (Recommended tightening torque: 0.59 N·m)
-

Note:

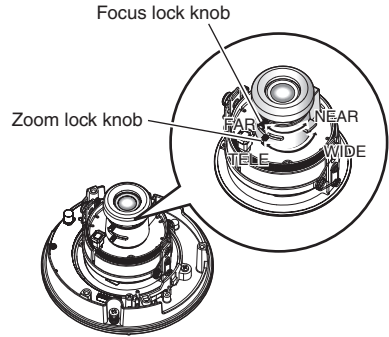
- The video output to the BNC connector will be interrupted while an adjusting monitor is connected to the monitor output connector.
 - At the same time for the pan and tilt adjustments, make focus adjustments of Step 2.
-

2 Adjusts the focus.

Focus adjustment shall be performed when camera angle adjustment are performed.

Adjust the focus by following the adjusting procedure of ①, ②, and ③ shown below.

- ① Loosen the zoom lock knob and move the knob between TELE and WIDE to obtain the appropriate angle of view, and then tighten the zoom lock knob.
- ② Loosen the focus lock knob, make coarse adjustment of the focus, and then tighten the focus lock knob.
- ③ Perform major adjustment of back focus through the setup menu or perform major adjustment by following Steps 3 and 4 below (☞ Operating Instructions (PDF)).

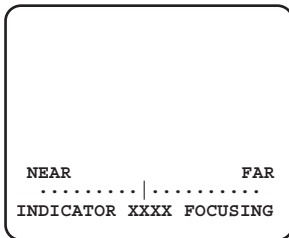


Note:

- Reset the back focus position to the CS mount default position before the back focus adjustment. (Hold down the right and left buttons simultaneously for 2 seconds or more, or move the cursor to "MANUAL-ADJ" of "BACK-FOCUS SETUP" in the setup menu and press the right and left buttons simultaneously for 2 seconds or more after pressing the setting button.)
-

3 Press the [ABF1] button after adjusting the view angle while viewing the monitor for adjustment.

The ABF operation indicator (☞ page 13) lights, the focus position is displayed in the lower part of the screen, and the back focus is automatically adjusted.



4 To perform fine adjustment of the back focus after the ABF operation indicator goes off and automatic back focus is adjusted, use the right or left button.

Note:

- No operation for 10 seconds or more automatically clears the focus position indicator.
- To change the angle of view by moving the zoom adjustment ring, also move the focus lock knob to adjust the focus.
- The originally adjusted focus may be slightly off depending on the iris state resulting from the focal depth of the lens. In such a case, open the aperture by darkening the subject as much as possible in the same way of taking picture, and then adjust the focus. Defocus can be prevented.
- Use of "ABF" or "BACK-FOCUS" in the setup menu (☰ Operating Instructions (PDF)) allows users to adjust the focus optimally in the range of the capability to automatically follow the variation in illuminance.
- The out-of-focus level in the near-infrared light region may be higher than that in the visible light region.

Setting "C/L ↔ B/W" of "BACK-FOCUS SETUP" to "AUTO" or "PRESET" in the setup menu (☰ Operating Instructions (PDF)) allows users to adjust the focus in both the near-infrared light and visible light regions (The variation in illuminance is not followed after focus adjustment.).

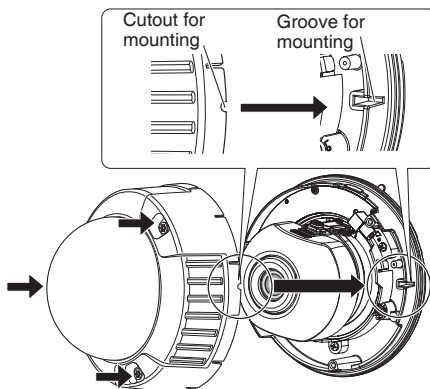
5 Mount the enclosure and inner dome.

Tighten the screws that have been loosened in Step 2 in page 28 using the supplied driver bit.

(Recommended tightening torque: 0.78 N·m)

Important:

- Attach the inner dome in accordance with the lens direction to not to change the lens direction.
 - Check if the tabs of the inner dome are firmly fit.
 - Remove the cushioning (pink sheet) from the inside of the dome and the protection sheet from the outside of the dome.
-



Note:

- Defocus may be caused by the reinstalled enclosure. When using a system controller (option), adjust the back-focus on the setup menu after attaching the enclosure. (☞ Operating Instructions (PDF))
 - When not using a system controller, by using the [ABF2] button back-focus adjustment is available after attaching the enclosure. The procedure for the use of the [ABF2] button is as specified below.
 - ① Press the [ABF2] button. → The ABF operation indicator will start blinking.
 - ② While the indicator is blinking (for around 3 minutes), attach the enclosure to the camera.
 - ③ When the indicator changes to steady light, back-focus will be adjusted automatically. After the back-focus is adjusted, the indicator will go out.
 - * Do not aim the camera to objects continuously moving.
 - * If the indicator blinks again after changing to steady light, back-focus adjustment may have failed. In this case, check the back-focus on the LCD monitor.
To adjust the back-focus again, perform Step ① to ③ again.
-

Setup menu

Performing each setting item in the setup menu should be completed in advance to use this unit. Perform the settings for each item in accordance with the installation conditions and customer requirements.

List of setup menu

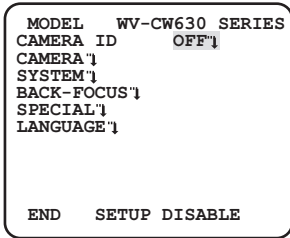
Setup item	Description
CAMERA ID	This item specifies the camera title. The camera title that indicates the camera location and other information about the camera is created with alphanumeric characters and symbol, and then displayed on the screen.
CAMERA	Performs the camera operation settings.
SCENE 1/ SCENE 2	Selects a scene file. It is possible to register and save the settings as a scene file in case that it is necessary to change the settings such when shooting at night.
ALC/ELC	Selects the method of controlling the quantity of light in accordance with the lens to be used.
SHUTTER	Specifies the electronic shutter speed.
AGC	Specifies gain adjustment.
SENS UP	Specifies electronic sensitivity enhancement.
WHITE BAL	Specifies white balance adjustment.
DNR	Selects the level of the digital noise reduction function.
D&N (IR)	Performs each setting regarding the black-and-white mode such as switching between color and black-and-white images.
VMD	Performs settings regarding VMD (Video Motion Detection).
SYSTEM	Performs the settings regarding the camera system such as synchronization and privacy zone.
SYNC	Only INT method can be used.
PRIVACY ZONE	Hides undesired portions in the camera shooting area.
STABILIZER	Decides whether or not to enable the image stabilizer.
EL-ZOOM	Switches the electronic zoom on and off.
UPSIDE-DOWN	Flips the camera images vertically or horizontally.
LDC	Adjusts the Lens distortion correction to convert the image so that it matches the square monitor.
BACK-FOCUS	Selects the back focus setting type and performs fine adjustment.
SPECIAL	
CHROMA GAIN	Adjusts the chroma level (color density).
AP GAIN	Adjusts the aperture level.
PEDESTAL	Adjusts the pedestal (brightness) level.
DISPLAY	Performs the image display setting.
PIX OFF	Corrects image defects such as flaws.
COMMUNICATION	Performs the communication setting of the system with a receiver into which this unit is integrated.
CAMERA RESET	Restores the settings in the setup menu to the default settings.
SER.NO.	Displays the serial number of this unit.
LANGUAGE	Selects a language to be used in the setup menu.

Basic operation

The operations in the setup menu are performed with the operation buttons after calling up the setup menu on the connected video monitor.
The description below explains how to operate the setup menu basically.
Screenshots of WV-CW630S/G are shown as an example.

Screenshot 1

Hold down the [SET] button for about 2 seconds to call up the top screen of the setup menu.



Step 1

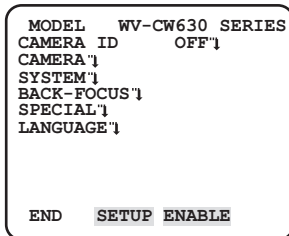
Press the [UP] or [DOWN] button to move the cursor to "END".

Step 2

Press the [RIGHT] button to move the cursor to "SETUP", and press the [SET] button to change the setup mode from "DISABLE" to "ENABLE".

Screenshot 2

The setup mode changes to "ENABLE", and the setup menu becomes ready to be set.

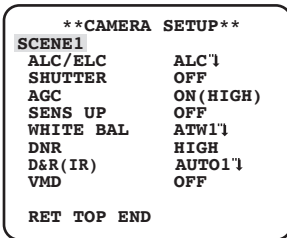


Step 3

Move the cursor to the item to be set, and press the [SET] button.

Screenshot 3

The selected setup screen in the setup menu appears on the screen.



Note:

- If the top screen of the setup menu is called up with the [SET] button while the camera is operated, the setup mode is always "DISABLE" to prevent operation errors.
To perform settings in the setup menu, change the setup mode to "ENABLE".
 - The cursor is a reversely highlighted part.
-

Step 4

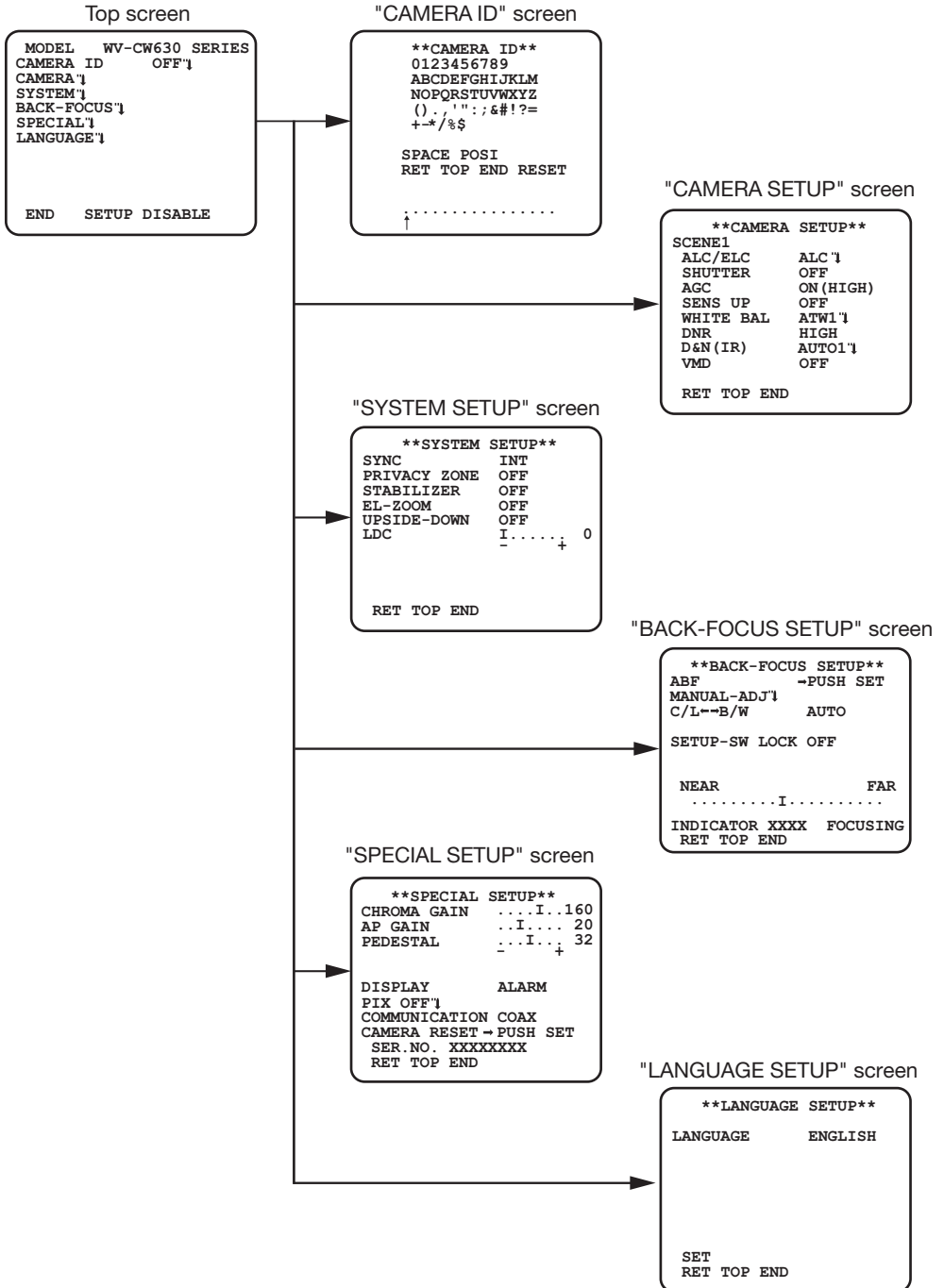
Perform the settings for each item.

- **Selection of setting item:**
Press the [UP] or [DOWN] button to move the cursor.
- **Change of settings:**
Press the [RIGHT] or [LEFT] button.
- **Display of advanced setup screen:**
Press the [SET] button when "▼" is attached to the target setting item.
- **Return to previous setup screen:**
Move the cursor to "RET" and press the [SET] button.
- **Return to the top screen:**
Move the cursor to "TOP" and press the [SET] button, to display the top screen of the setup menu.

Step 5

Move the cursor to "END" and press the [SET] button to return to the camera image screen, or wait about 5 minutes and the setup menu will automatically close.

Screen transition diagram



Troubleshooting

Before asking for repairs, check the symptoms with the following table.

Contact your dealer if a problem cannot be solved even after checking and trying the solution in the table or a problem is not described below.

Symptom	Cause/solution	Reference pages
No image displayed	<ul style="list-style-type: none"> • Are the power cord and coaxial cable connected appropriately? → Check whether the connection is appropriately established. 	20
	<ul style="list-style-type: none"> • Is the adjusting monitor connected? → Check whether connection is established. 	29
	<ul style="list-style-type: none"> • Is the monitor brightness appropriately adjusted, or is the contrast appropriately adjusted? → Check whether the monitor settings are appropriate. 	–
	<ul style="list-style-type: none"> • Were the shock absorbers in the dome cover already removed? → Confirm whether the shock absorbers have been already removed. 	–
Blurred image	<ul style="list-style-type: none"> • Is the dome cover free from contamination and/or flaws? → Check the dome cover. 	–
	<ul style="list-style-type: none"> • Is the focus adjusted correctly? → Check if the focus is adjusted correctly. 	30
	<ul style="list-style-type: none"> • Is the lens of the camera soiled with dirt or dust? → Check whether the lens of the camera is clean. 	–
Damaged power cord sheathing	<p>The power cord and connector is damaged. Use of the damaged cord or connector may cause electric shock or fire. Turn off the power immediately and request repair to your dealer.</p>	–
Heated portion of power line consisting of power cord during use		
Warmed power cord or loosened connection by bending or stretching during use		

Specifications

• Basic

	WV-CW630	WV-CW634
Power source	220 V AC to 240 V AC 50 Hz	24 V AC 50 Hz, 12 V DC
Power consumption	4.6 W (without heater unit) 15.3 W (with heater unit)	24 V AC: 3.0 W (without heater unit) 13.2 W (with heater unit) 12 V DC: 237 mA* ¹
Ambient operating temperature	-10 °C to +60 °C / (with heater unit): -30 °C to +60 °C* ²	
Ambient operating humidity	10 % to 90 % (no condensation)	
Waterproof* ³	Main body: IEC60529 (IP66)	
Shock resistance	50J, IEC60068-2-75	
Video output	VBS: 1.0 V [p-p]/75 Ω, PAL, BNC connector	
Dimensions	ø164 mm × 146 mm (H), 191.5 mm (W) (Base Cover)	
Mass	Approx. 1.45 kg	Approx. 1.35 kg
	Attachment plate:	100 g
	Mount bracket:	350 g
Finish	Main body:	Aluminum die cast, light gray
	Dome cover:	Clear polycarbonate resin
Others	Tamper-resistant enclosure* ⁴	

*¹ When using 12 V DC power supply, the optional heater unit is unavailable.

*² With heater unit WV-CW5HA (option)

*³ Only when installation work is properly performed according to the instructions in this manual and appropriate waterproof treatment is performed.

*⁴ Component that has a structure on which the screws that are accessible after installation cannot be screwed or unscrewed using an ordinary screwdriver.

• Camera

Image sensor	1/3 type interline transfer CCD	
Effective pixels	976 (H) × 582 (V)	
Scanning area	4.8 mm (H) × 3.6 mm (V)	
Scanning system	2:1 interlace	
Scanning line	625 lines	
Scanning frequency	Horizontal:	15.625 kHz
	Vertical:	50 Hz
Synchronization	INT (internal sync)	
Resolution	Horizontal:	700 TV lines or more
	Vertical:	400 TV lines or more (at center)
Minimum illumination	When using clear dome cover:	
	Color Mode:	0.08 lx at F1.4 WIDE 0.0024 lx (sensitivity up x32, at F1.4 WIDE)*
	BW mode:	0.008 lx at F1.4 WIDE 0.00024 lx (sensitivity up x32, at F1.4 WIDE)*
	When using smoke dome cover (option):	
	Color Mode:	0.16 lx at F1.4 WIDE 0.0048 lx (sensitivity up x32, at F1.4 WIDE)*
	BW mode:	0.016 lx at F1.4 WIDE 0.00048 lx (sensitivity up x32, at F1.4 WIDE)*
* Converted value		

Signal-to-noise ratio	52 dB (AGC Off)
Dynamic range	54 dB typ. (Super Dynamic 6 ON)
Monitor output	VBS: 1.0 V [p-p]/75 Ω, PAL, RCA jack
Camera title	Up to 16 characters (alphanumeric characters, marks)
Light control mode setting	ALC/ALC+/ELC
Super Dynamic 6	ON/ OFF
High light compensation (HLC)	ON (1)/ ON (2)/ OFF
Fog compensation	ON/OFF
Electronic shutter speed	OFF (1/50 s), 1/120 s, 1/250 s, 1/500 s, 1/1000 s, 1/2000 s, 1/4000 s, 1/10000 s, 1/120000 s
AGC	ON (HIGH, MID, LOW)/OFF
Sensitivity up	OFF/ AUTO (×2, ×4, ×6, ×10, ×16, ×32)/ FIX (×2, ×4, ×6, ×10, ×16, ×32, ×64, ×128, ×256, ×512)
White balance	ATW1/ ATW2/ AWC (area can be set)
Digital noise reduction	HIGH/LOW
Color/BW	AUTO1/ AUTO2/ ON/ OFF
VMD	OFF Motion detection Scene change detection
Number of scene file	2
Privacy zone	ON (1)/ ON (2)/ OFF
Image stabilizer	ON/OFF
Electronic zoom	ON (Up to 2x)/OFF
Image flip	ON/OFF
Lens distortion correction	0 to 255
Auto back focus	ABF/ MANUAL/ switching between color and BW interlocking
Display language	JAPANESE/ ENGLISH/ FRANÇAIS/ ESPAÑOL/ DEUTSCH/ ITALIANO/ РУССКИЙ/ 中文 / PORTUGUÊS

• Lens

Type	2.1x variable focal lens	
Focal length	3.8 mm - 8.0 mm	
F number	F1.4 (WIDE) - F1.9 (TELE)	
Focus range	∞ - 1.2 m	
Angle of view	Horizontal:	34 ° (TELE) - 75 ° (WIDE)
	Vertical:	25 ° (TELE) - 55 ° (WIDE)
Adjusting angle	Panning range:	±170 °
	Tilting range:	±75 °
	Azimuth range:	±100 °
ALC lens drive	DC drive	
Lens mount	CS-mount	

Dimensions and Mass indicated are approximate.

Specifications are subject to change without notice.

Standard accessories

CD-ROM* 1 pc.
 Installation Guide (this book) 1 pc.

*The CD-ROM contains the operating instructions (PDF).

The following parts are used during installation procedures.

Base cover 1 pc.
 Camera mount bracket 1 pc.
 Fixing screw for camera mount bracket 5 pcs.
 (incl. 1 spare screw)
 Attachment plate 1 pc.
 Bit for tamperproof screw 1 pc.
 Waterproof tape 1 pc.

Optional Accessories

Dome cover: (Smoke type)	WV-CW4SA
Heater unit:	WV-CW5HA
Ceiling mount bracket: (Use when installing camera on weak ceiling boards, etc.)	WV-Q169A*
Ceiling mount bracket: (Use when installing camera on weak ceiling boards, etc.)	WV-Q105A*
Ceiling hanging mount bracket: (Use with the WV-Q124 (suspension mount bracket) to be able to install on a ceiling.)	WV-Q121B
Wall mount bracket: (Use with the WV-Q124 (suspension mount bracket) to be able to install on a wall.)	WV-Q122A
Mount bracket: (Use when installing camera using the WV-Q121B or WV-Q122A.)	WV-Q124
Sun shade:	WV-Q7118

* When using WV-Q169A or WV-Q105A ceiling mount brackets, use them indoors.

Disposal of Old Equipment

Only for European Union and countries with recycling systems



This symbol on the products, packaging, and/or accompanying documents means that used electrical and electronic products must not be mixed with general household waste.

For proper treatment, recovery and recycling of old products, please take them to applicable collection points in accordance with your national legislation.

By disposing of them correctly, you will help to save valuable resources and prevent any potential negative effects on human health and the environment. For more information about collection and recycling, please contact your local municipality.

Penalties may be applicable for incorrect disposal of this waste, in accordance with national legislation.

i-PRO Co., Ltd. Fukuoka, Japan

<https://www.i-pro.com/>

i-PRO EMEA B.V. UK Branch
1010 Cambourne Business Park,
Cambridgeshire CB23 6DP

Authorised Representative in EU:
i-PRO EMEA B.V.
Laarderhoogtweg 25, 1101 EB
Amsterdam, Netherlands

