

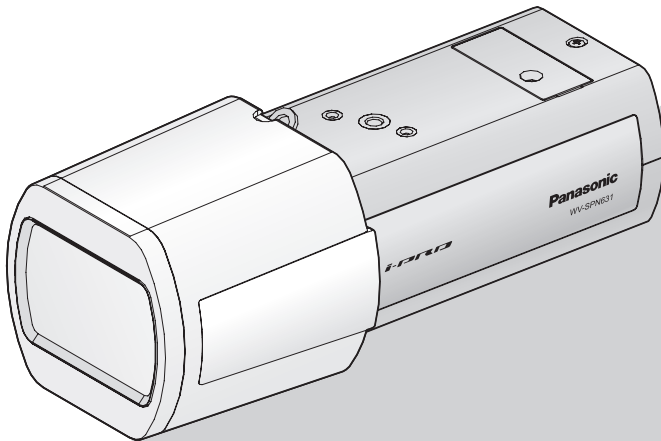
Panasonic[®]

Operating Instructions

Included Installation Instructions

Extension Unit

Model No. **WV-SPN6FRL1**



Before attempting to connect or install this product,
please read these instructions carefully and save this manual for future use.

The model number is abbreviated in some descriptions in this manual.

For Canada

CAN ICES-3(A)/NMB-3(A)

For U.S.A.

NOTE: This equipment has been tested and found to comply with the limits for a Class A digital device, pursuant to Part 15 of the FCC Rules. These limits are designed to provide reasonable protection against harmful interference when the equipment is operated in a commercial environment. This equipment generates, uses, and can radiate radio frequency energy and, if not installed and used in accordance with the instruction manual, may cause harmful interference to radio communications. Operation of this equipment in a residential area is likely to cause harmful interference in which case the user will be required to correct the interference at his own expense.

FCC Caution: To assure continued compliance, (example - use only shielded interface cables when connecting to computer or peripheral devices). Any changes or modifications not expressly approved by the party responsible for compliance could void the user's authority to operate this equipment.

For U.S.A.

The model number and serial number of this product may be found on the surface of the unit.

You should note the model number and serial number of this unit in the space provided and retain this book as a permanent record of your purchase to aid identification in the event of theft.

Model No. _____

Serial No. _____

For Europe

We declare under our sole responsibility that the product to which this declaration relates is in conformity with the standard or other normative document following the provisions of Directive 2004/108/EC.

Wir erklären in alleiniger Verantwortung, daß das Produkt, auf das sich diese Erklärung bezieht, mit der folgenden Norm oder normativen Dokument übereinstimmt. Gemäß den Bestimmungen der Richtlinie 2004/108/EC.

Nous déclarons sous notre propre responsabilité que le produit auquel se réfère la présente déclaration est conforme à la norme spécifiée ou à tout autre document normatif conformément aux dispositions de la directive 2004/108/CE.

Nosotros declaramos bajo nuestra única responsabilidad que el producto a que hace referencia esta declaración está conforme con la norma u otro documento normativo siguiendo las estipulaciones de la directiva 2004/108/CE.

Noi dichiariamo sotto nostra esclusiva responsabilità che il prodotto a cui si riferisce la presente dichiarazione risulta conforme al seguente standard o altro documento normativo conforme alle disposizioni della direttiva 2004/108/CE.

Wij verklaren als enige aansprakelijke, dat het product waarop deze verklaring betrekking heeft, voldoet aan de volgende norm of ander normatief document, overeenkomstig de bepalingen van Richtlijn 2004/108/EC.

Vi erklærer os eneansvarlige for, at dette produkt, som denne deklaration omhandler, er i overensstemmelse med standard eller andre normative dokumenter i følge bestemmelserne i direktiv 2004/108/EC.

Vi deklarerar härmed vårt fulla ansvar för att den produkt till vilken denna deklaration hänvisar är i överensstämmelse med standarddokument eller annat normativt dokument som framställs i direktiv 2004/108/EC.

Ilmoitamme yksinomaaisella vastuullamme, että tuote, jota tämä ilmoitus koskee, noudattaa seuraavaa standardia tai muuta ohjeellista asiakirjaa, jotka noudattavat direktiivin 2004/108/EC säädöksiä.

Vi erklærer oss alene ansvarlige for at produktet som denne erklæringen gjelder for, er i overensstemmelse med følgende norm eller andre normgivende dokumenter som følger bestemmelsene i direktiv 2004/108/EC.

Contents

Features..... 4
Precautions 4
Installations 5
Specifications..... 17
Standard accessories..... 17

Features

This is the IR LED unit which can be attached to WV-SPN6 series network cameras. It is used view images at night or in dark environments. It will be referred to as IR LED unit from here on.

Precautions

Refer installation work to the dealer.

Installation work requires technique and experiences.

Failure to observe this may cause fire, electric shock, injury, or damage to the product.

Be sure to consult the dealer.

Stop the operation immediately when something is wrong with this product.

When smoke goes up from the product, the smell of smoke comes from the product, or the exterior of the product has deteriorated, continued use will cause a fire or fall of the product resulting in injury, or damage to the product.

In this case, turn the power off immediately and contact qualified service personnel for service.

Do not insert any foreign objects.

Fire or electrical shock may be caused if water or any foreign objects, such as metal objects, enter inside the unit.

Turn the power off immediately and contact qualified service personnel for service.

Correctly perform all wiring.

Short circuits in the wiring or incorrect wiring may cause fire or electrical shock.

Do not attempt to disassemble or modify this product.

Failure to observe this may cause fire or electric shock.

Consult the dealer for the repair or inspections.

The screws and bolts must be tightened to the specified torque.

Loosening of mounting screws or bolts may cause a fall of the product resulting in injury or accidents.

Turn the power off when do wiring of this product.

Failure to observe this may cause electric shock. In addition, short circuit or wrong wiring may cause fire.

Do not install or clean the camera, or touch this product, the power cable or the connected cables during thunder storms.

Failure to observe this may cause electric shock.

Turn the power off when cleaning this product.

Failure to observe this may cause injury.

Installations

The following mounting descriptions use model WV-SPN631 as a representative example to explain the mounting process.

Read the following descriptions together with the Installation Guide of the respective camera before attempting to mount the camera.

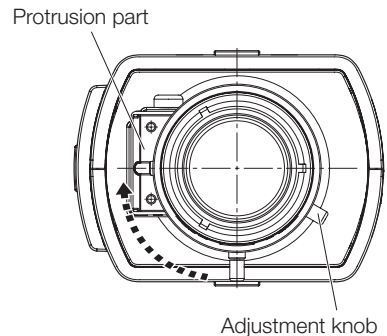
IMPORTANT:

- There is a limit to the size of the lens when using the camera mounted with the IR LED unit. Please use the recommended lens when using the IR LED unit.
 - When using a lens other than the recommended lenses listed on the Panasonic support website, the IR LED unit might not be mountable and vignetting might occur on the screen.
-
- For more information about the recommended lenses, please refer to the Panasonic support website (<http://security.panasonic.com/pss/security/support/info.html>).

Note:

When using the IR LED unit after mounting it to the camera, take care of the following points when mounting the lens, and adjust the direction of the lens.

- Adjust the direction so that the protrusion part of the lens does not touch the IR LED unit.
- Do not tightly stretch the iris control cable of the lens.
- Make sure the adjustment knob is positioned to allow for lens adjustment.

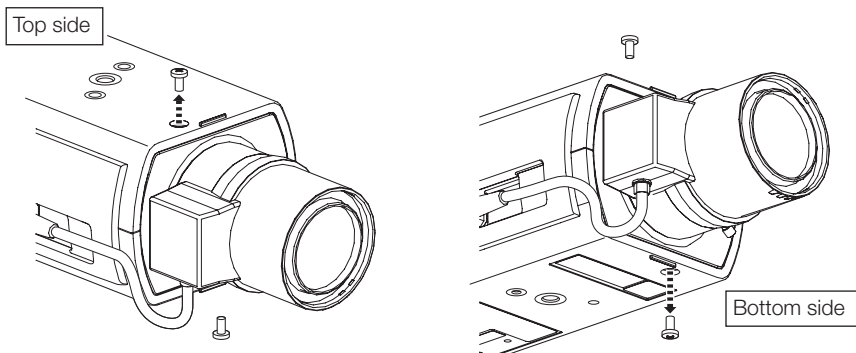


Step 1 Remove the screws from the camera's top and bottom side.

Remove both screws (top and bottom side) next to the camera lens.

Note:

- Please store the removed screws in a safe location for when you choose to remove the IR LED unit, as they will not be needed from this point onwards.

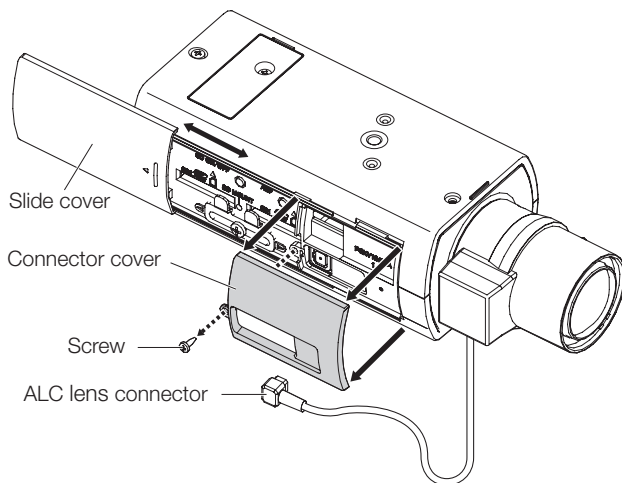


Step 2 Remove the connector cover from the side of the camera.

- 1 Disconnect the ALC lens connector of the camera and open the slide cover.
- 2 Remove the screw securing the connector cover and remove the connector cover from the camera body.
- 3 Place the slide cover back after removing the connector cover.

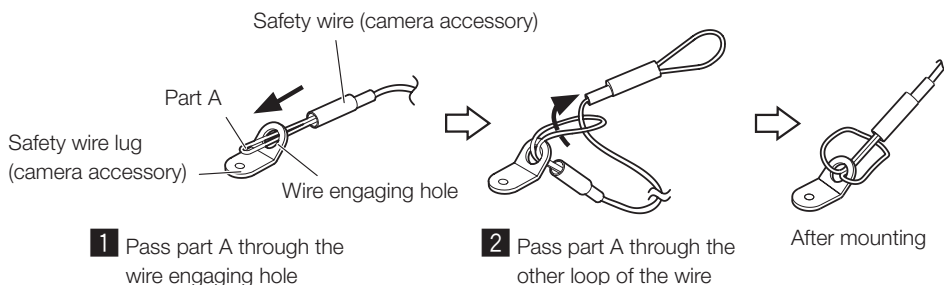
Note:

- The removed screws that secured the connector cover will be reused in Step 8.
- Please store the removed connector cover in a safe location for when you choose to remove the IR LED unit, as it will not be needed from this point onwards.



Step 3 Attach the safety wire to the safety wire lug (camera accessory).

Attach the safety wire (camera accessory) to the safety wire lug (camera accessory) according to the following illustration.



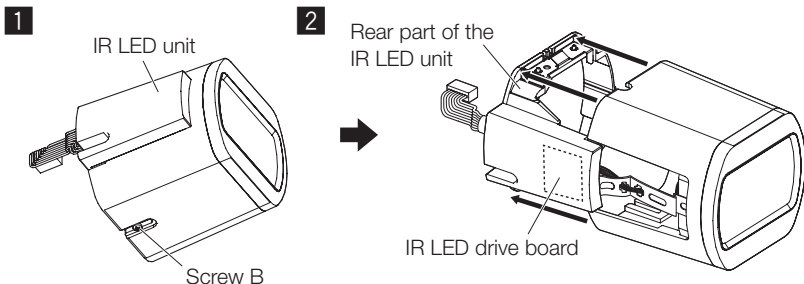
Step 4 Separate the rear part of the IR LED unit from the camera body.

1 Loosen screw B on the back side of the IR LED unit by rotating the screw once counterclockwise using a driver.

2 Pull out the rear part of the IR LED unit.

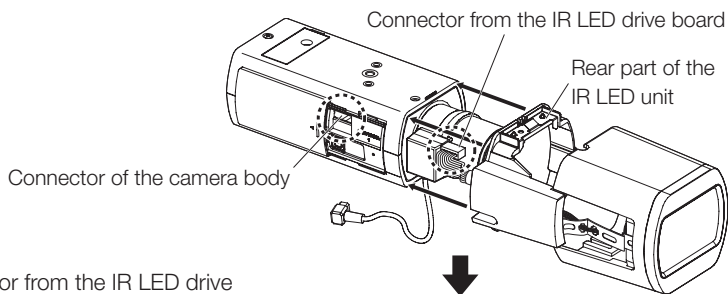
Note:

- Do not remove screw B when loosening it.
- Make sure that the lead connecting the IR LED drive board on the rear part of the IR LED unit and the IR LED board on the front of the unit are not disconnected.

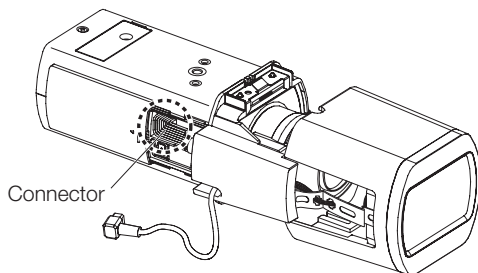


Step 5 Attach the rear part of the IR LED unit to the camera.

1 Temporarily attach the rear part of the IR LED unit to the front of the camera as shown on the illustration below.



2 Attach the connector from the IR LED drive board to the connector of the camera body.

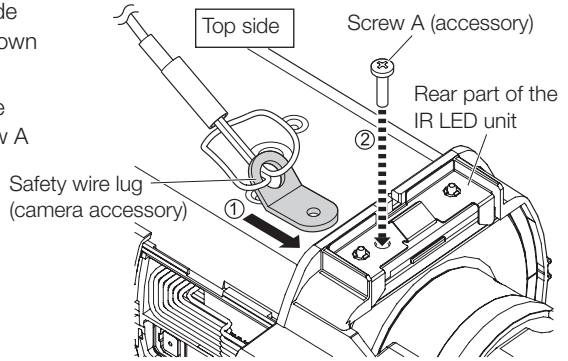


Note:

- Check that the connector is attached properly.

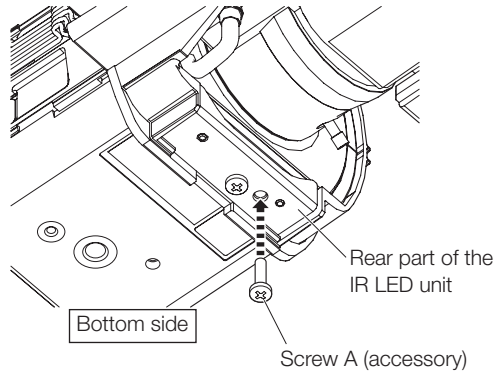
Step 6 Insert the safety wire lug (camera accessory) to the rear part of the IR LED unit, and fasten with screw A (accessory).

- 1 Take the safety wire lug from the rear side of the camera facing the front side and attach it to the IR LED unit as shown on the illustration to the right.
- 2 Firmly fasten the safety wire lug to the rear part of the IR LED unit with screw A (accessory).
(Recommended tightening torque: 0.39 N·m {0.29 lbf·ft})



Step 7 Fasten the rear part of the IR LED unit from below with screw A (accessory).

Firmly fasten the rear part of the IR LED unit with screw A (accessory).
(Recommended tightening torque: 0.39 N·m {0.29 lbf·ft})

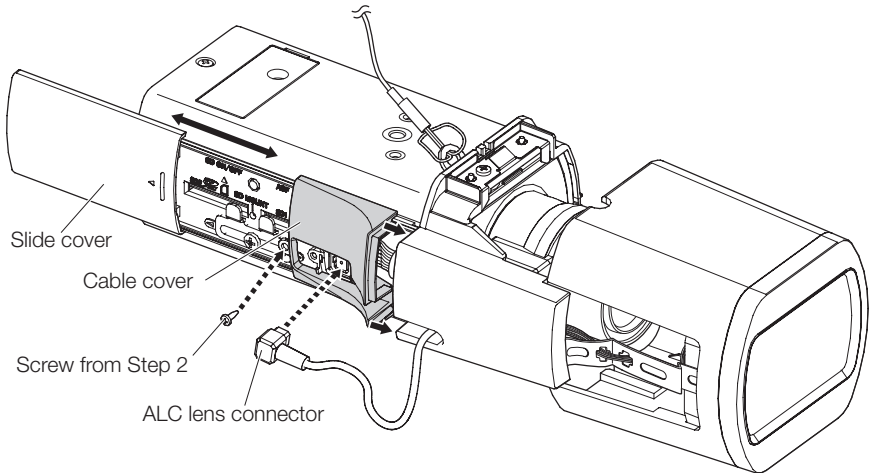


Step 8 Attach the cable cover with the screws removed at Step 2 and attach the ALC lens connector from the lens to the camera.

- 1 Open the slide cover.
- 2 Attach the cable cover to the camera by sliding it from the back of the camera to the front as shown in the illustration below.
- 3 Use the screw removed at Step 2 to fasten it.
(Recommended tightening torque: 0.39 N·m {0.29 lbf·ft})
- 4 Connect the ALC lens connector to the camera body.
- 5 Close the slide cover.

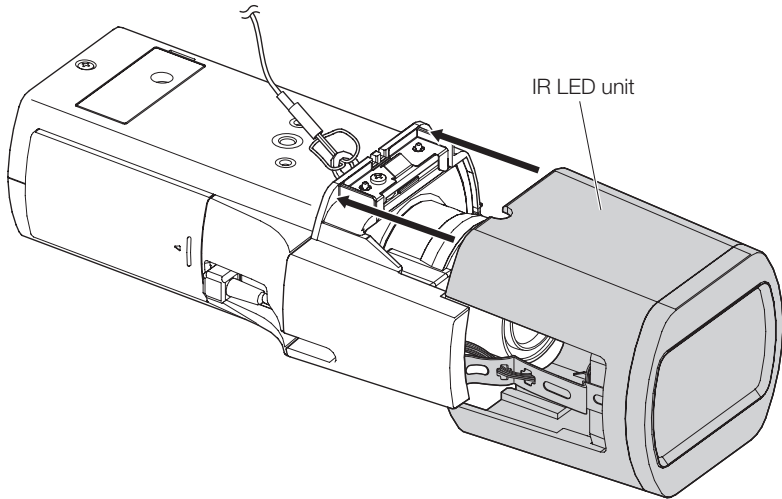
Note:

- Check that the ALC lens connector is inserted correctly.
-



Step 9 Temporarily attach the IR LED unit to the camera, install the camera to a ceiling or a wall, and adjust the view angle.

- 1** Insert the IR LED unit to the front side of the camera and temporarily fasten it.
- 2** Install the camera to either the ceiling or a wall. For more information about the installation of the camera, please refer to the camera's Important Information or Installation Guide.



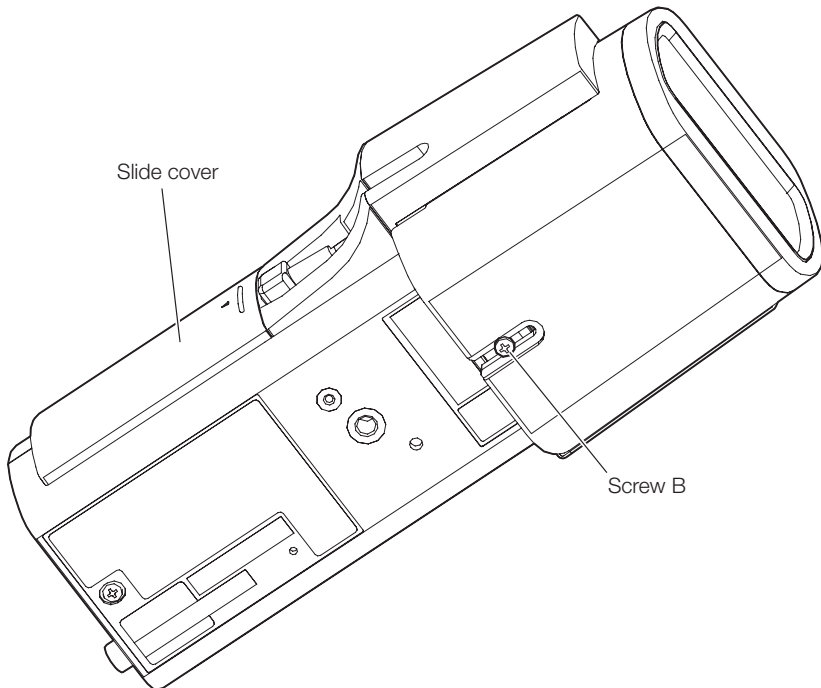
- 3** After installation, remove the IR LED unit from the camera again so the lens part can be adjusted.
- 4** Connect the camera to the power source, adjust the orientation and the angle of the camera through the signal from MONITOR OUT, and align the view angle by adjusting the zoom. For more information about the adjustment method of the camera, please refer to the camera's Important Information or Installation Guide.

Step 10 Secure the IR LED unit.

- 1 Temporarily secure the IR LED unit by attaching it in front of the lens. At this time, adjust the location of the front of the lens and the lens cover by matching the protrusion part of the lug attached to the IR LED unit and the 5 grooves on top of the IR LED unit. (Images of the camera installed on either a ceiling or a wall are not shown.)
- 2 Firmly secure the IR LED unit from below with the loosened screw B. (Recommended tightening torque: 0.39 N·m {0.29 lbf·ft})

IMPORTANT:

- If the front of the lens and the IR LED unit are too far apart, the IR LED unit may become visible on the screen. Attach the IR LED unit so that its front panel is as close as possible to front edge of the lens.
 - Be careful not to insert the IR LED unit too far, in order to avoid the lens from getting damaged.
-

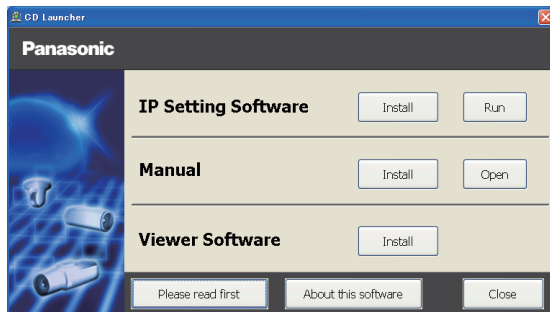


- 3 Remove the cover film attached to the front panel of the IR LED unit. Open the slide cover on the side of the camera, and press the ABF (auto back focus) button.

Step 11 After temporarily connecting the camera and PC to a network and installing the camera viewer software on the PC, perform the IR LED settings from the camera setup menu.

Connect the camera and computer to the same network by using a hub, or connect them directly by using of a crossover cable, turn on the camera, and setup the IR LED.

- 1 Insert the CD-ROM provided with the camera into the CD-ROM drive of your PC.
 - The License Agreement will be displayed. Read the Agreement and choose "I accept the term in the license agreement", and click [OK].
 - The launcher window will be displayed. If the launcher window is not displayed, double click the "CDLauncher.exe" file on the CD-ROM provided with the camera.

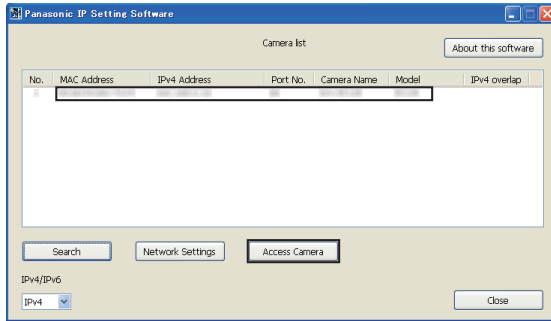


Note:

- Refer to "Using the CD-ROM" in the Operating Instructions on the CD-ROM provided with the camera for further information about CDLauncher.
 - For more information about the System requirements for a PC in order to connect with the camera, please refer to the "System requirements for a PC" in the Important Information.
-

- 2 Click the [Run] button next to [IP Setting Software].
[Panasonic IP Setting Software] screen will be displayed. After detecting the camera, the MAC address/IP address will be appeared.
 - * The displayed camera information is not automatically updated. Click the [Search] button to update the information.

- 3 Select the unit you want to configure, and click [Access Camera].

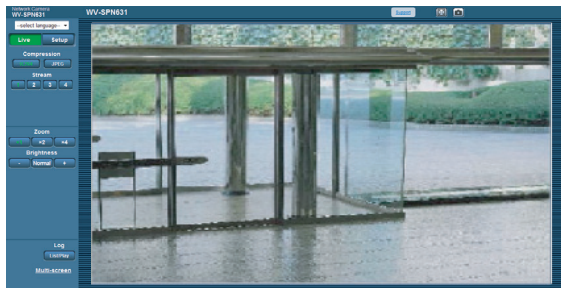


Note:

- When more than one unit is displayed in [Panasonic IP Setting Software] screen, click the unit with the same MAC address as the MAC address printed on the unit that you want to configure.

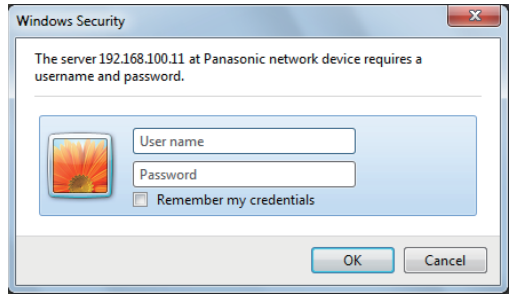
- 4 If the installation screen of the viewer software “Network Camera View 4S” is displayed, follow the instructions of the wizard to start the installation. (The viewer software is installed from the camera.)

- The “Live” page will be displayed.
- If you cannot install the viewer software “Network Camera View 4S” or if images are not displayed, click the [Install] button next to [Viewer Software] on the launcher window to install the software. When no image is displayed on the “Live” page, refer to the Operating Instructions on the CD-ROM provided with the camera.

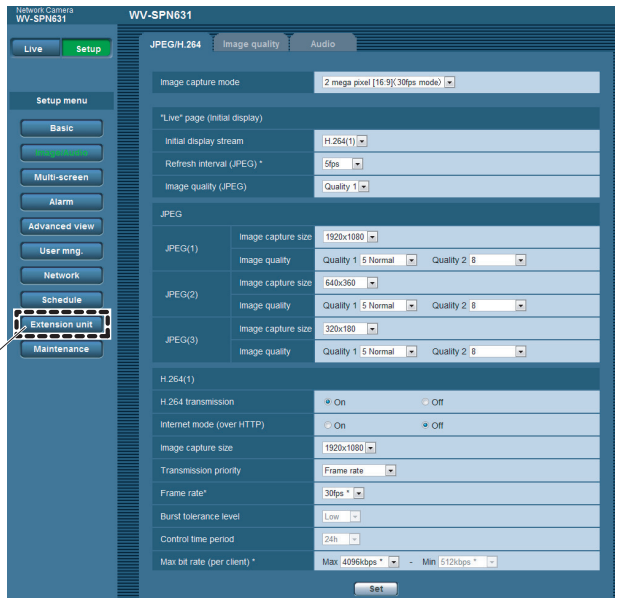


- Set your browser to compatibility view if no image is displayed. Please refer to the Panasonic support website listed below for more information about configuration methods.
<http://security.panasonic.com/pss/security/support/info.html>

- 5 By clicking [Setup] on the "Live" page, the authentication dialog is displayed. Enter your user name and password, then click [OK].
The default settings are: user name [admin] and password [12345].



- 6 The basic setting screen of the camera will be displayed and on the left side of the screen, in the column of the setup menu, the [Extension unit] button is displayed.



[Extension unit] button

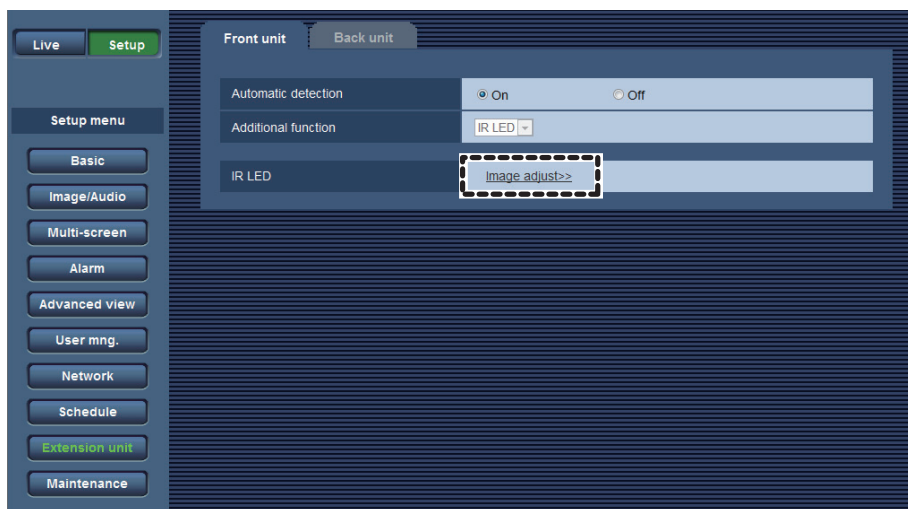
Step 12 Configure the settings of the IR LED and perform an operational check.

1 Select the [Front unit] tab on the [Extension unit] page of the setup menu.

Setup items	Setup contents and defaults
Automatic detection	Control whether or not to auto detect the IR LED Unit by selecting On/Off. Default: On
Additional function	Select an extension unit to use. This can only be done when "Automatic detection" is turned "Off".

- When turning on the camera after the IR LED unit is installed, the IR LED unit will automatically be recognized and [IR LED] will be displayed in the [Additional function] settings.
 - * "Off" is displayed if the unit fails to correctly recognize the IR LED unit.
Check again that the connectors of the IR LED unit and the camera are properly connected and turn on the camera again.

2 Click [Image adjust] in IR LED.



3 Configure the settings according to your operation preferences when the image quality adjustment screen (page 16) is displayed. For more information, refer to the Operating Instructions of the camera.

Setup items	Setup contents and defaults
IR LED Light	Specify whether or not you want to use the built-in infrared illumination in black-and-white images and one of the following infrared illumination strengths. Off/Auto(High) /Auto(Mid)/Auto(Low) Default: Auto(High)
Intensity control	When the "Intensity control" is set to "On", the brightness will be controlled so the objects shown in the image will not be overexposed. Default: On

*Any changes are updated immediately

Image adjust Scene file is not applied

Super Dynamic (SD) On(Normal) ▾

Face SD On Off

Adaptive black stretch On Off

Back light compensation (BLC) On Off

Mask area

Light control mode Outdoor scene ▾

AGC On(High) ▾

Maximum shutter Max 1/30s ▾

Day & Night(IR) Auto2(IR Light) ▾

Level High Low

Dwell time 10s ▾

IR LED Light Auto(High) ▾

Intensity control On Off

White balance ATW1 ▾

- 4** In order to check whether the IR LED is operational, aim your digital camera or smart phone at the camera and check for a line of white light on the upper or lower side of the camera.

Note:

- When checking during the daytime, select "On" for "Day & Night(IR)". After checking, return the setting to its original condition.
 - When the IR LED is configured to be used, "Auto2(IR Light)" (uses the IR LED when it is dark) is automatically selected for "Day & Night(IR)" (method for switching between black and white images and color images) on the camera.
-

Specifications

Ambient operating temperature:	-10 °C to +50 °C {14 °F to 131 °F}
Ambient operating humidity:	10 % to 90 % (no condensation)
IR LED irradiation distance:	30 m {98.43 feet}
	* When the recommended lens attached to the WV-SPN631 is used in the wide field of view.
Dimensions:	94.0 mm (W) x 77.0 mm (H) x 82.0 mm (D) {3-11/16 inches (W) x 3-1/32 inches (H) x 3-7/32 inches (D)}
Mass:	Approx. 140 g {0.31 lbs}
Finish:	Unit (resin part): PC/ABS resin, sail white

Standard accessories

Operating Instructions (this document).....	1 set
Warranty card.....	1 set
Cable cover.....	1 pc.
Screw A (M2.5 x 10 mm {13/32 inches}).....	3 pcs.
	(incl. 1 spare screw)
Screw B (M2.5 x 8 mm {5/16 inches})	1 pc.
	(Screw B is used as a spare.)

Information on Disposal for Users of Waste Electrical & Electronic Equipment (private households)



This symbol on the products and/or accompanying documents means that used electrical and electronic products should not be mixed with general household waste. For proper treatment, recovery and recycling, please take these products to designated collection points, where they will be accepted on a free of charge basis.

Alternatively, in some countries you may be able to return your products to your local retailer upon the purchase of an equivalent new product.

Disposing of this product correctly will help to save valuable resources and prevent any potential negative effects on human health and the environment which could otherwise arise from inappropriate waste handling.

Please contact your local authority for further details of your nearest designated collection point. Penalties may be applicable for incorrect disposal of this waste, in accordance with national legislation.

For business users in the European Union

If you wish to discard electrical and electronic equipment, please contact your dealer or supplier for further information.

Information on Disposal in other Countries outside the European Union

This symbol is only valid in the European Union.

If you wish to discard this product, please contact your local authorities or dealer and ask for the correct method of disposal.

For U.S. and Canada:

**Panasonic System Communications
Company of North America,
Unit of Panasonic Corporation
of North America**

www.panasonic.com/business/
For customer support, call 1.800.528.6747
Two Riverfront Plaza, Newark, NJ 07102-5490

Panasonic Canada Inc.

5770 Ambler Drive, Mississauga,
Ontario, L4W 2T3 Canada
(905)624-5010
www.panasonic.ca

For Europe and other countries:

Panasonic Corporation
<http://www.panasonic.com>

Panasonic Corporation
Osaka, Japan

Authorised Representative in EU:

Panasonic Testing Centre
Panasonic Marketing Europe GmbH
Winsbergring 15, 22525 Hamburg, Germany

