

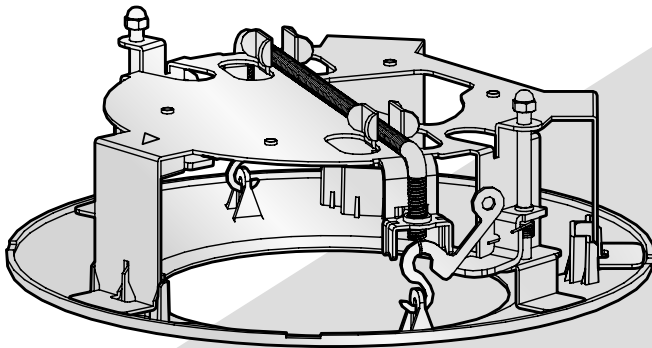
**∴PRO**

# Operating Instructions

Included Installation Instructions

## Ceiling Mount Bracket

Model No. **WV-Q174B**



Before attempting to connect or install this product,  
please read these instructions carefully and save this manual for future use.

The model number is abbreviated in some descriptions in this manual.

# Contents

- Features..... 3
- Precautions ..... 3
- Precautions for installation ..... 4
- Major Operating Controls ..... 6
- Installations ..... 7
- Specifications ..... 11
- Standard accessories..... 11

## Features

This ceiling mount bracket is exclusively designed to mount the camera, on a ceiling. Refer to the catalog or operating instructions of the camera for further information about the compatible models.

This bracket can be used for an area with weak pull-out strength such as plasterboard in a double ceiling.

This bracket is an embedded type to reduce the exposed portion of the camera body.

## Precautions

### **Refer installation work to the dealer.**

Installation work requires technique and experiences.

Failure to observe this may cause fire, electric shock, injury, or damage to the product.

Be sure to consult the dealer.

### **Avoid installing this bracket in the locations where salt damage occurs or corrosive gas is produced.**

Otherwise, the mounting portions will deteriorate and accidents such as a fall of this product may occur.

### **The screws and bolts must be tightened to the specified torque.**

Loosening of mounting screws or bolts may cause a fall of the product resulting in injury or accidents.

### **Do not use this bracket except with suitable cameras**

Failure to observe this may cause a drop resulting in injury.

### **Select an installation area that can support the total weight.**

Selecting an inappropriate installation surface may cause this product to fall down or topple over, resulting in injury or accidents.

Installation work shall be started after sufficient reinforcement.

### **Do not rub the edges of metal parts with your hand.**

Strong rubbing may cause injury.

### **Periodic inspections shall be conducted.**

Rust on the metal parts or screws may cause a fall of the product resulting in injury or accidents.

Consult the dealer for the inspections.

### **The exclusively designed mount bracket shall be used.**

Failure to observe this may cause a drop resulting in injury or accidents.

Use the exclusively designed mount bracket for installation.

### **Do not install this product in locations subject to vibration.**

Loosening of mounting screws or bolts may cause a fall of the product resulting in injury or accidents.

### **Do not strike or give a strong shock to this product.**

Failure to observe this may cause fire or injury.

### **Install this product in a location high enough to avoid people and objects from bumping the product.**

Failure to observe this may cause injury.

### **Do not hang down from this product or use this product as a pedestal.**

Failure to observe this may cause a drop resulting in accidents.

## Precautions for installation

**i-PRO assumes no responsibility for injuries or property damage resulting from failures arising out of improper installation or operation inconsistent with this documentation.**

**The installation should comply with local electrical code.**

### **This product is designed to be used indoors.**

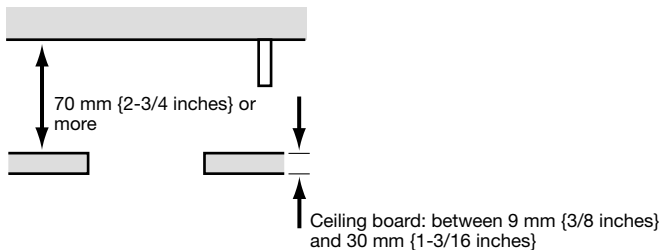
This product is not operable outdoors.

Do not expose this product to direct sunlight for hours and do not install the product near a heater or an air conditioner.

Otherwise, it may cause deformation, discoloration and malfunction. Keep this product away from water and moisture.

### **Installation area for this product**

- Make sure that the installation area is strong enough to hold the total weight of the camera assembly before installation.
- The installation area shall have 70 mm {2-3/4 inches} or more space behind the ceiling.



- The thickness of the ceiling board for installation can range between 9 mm {3/8 inches} and 30 mm {1-3/16 inches}.

### **Do not place this product in the following places:**

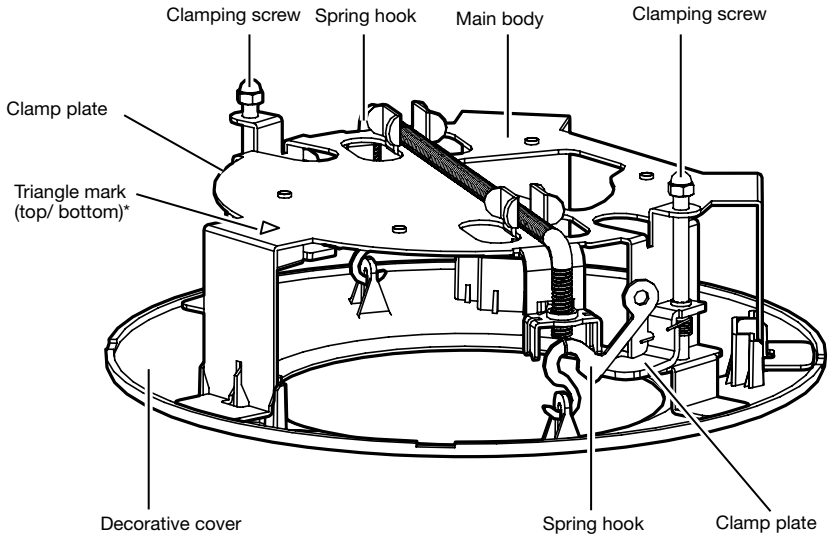
- Locations where it may get wet from rain or water splash (including under the eaves, etc.)
- Locations where a chemical agent is used such as a swimming pool
- Locations subject to moisture or oil smoke such as a kitchen
- Locations that have a specific environment that is subject to an inflammable atmosphere or solvents
- Locations where a radiation, an X-ray, a strong radio wave or a strong magnetic field is generated
- Locations where corrosive gas is produced, locations where it may be damaged by briny air such as seashores
- Locations where the temperature is not within the specified range (-10 °C to +50 °C {14 °F to 131 °F})
- Locations subject to vibrations, such as on vehicles, marine vessels, or above product lines (This product is not designed for on vehicle use.)
- Locations subject to condensation as the result of severe changes in temperature

**Screw tightening**

- The screws and bolts must be tightened with an appropriate tightening torque according to the material and strength of the installation area.
- Do not use an impact driver. Use of an impact driver may damage the screws or cause tightening excessively.
- When a screw is tightened, make the screw at a right angle to the surface. After tightening the screws or bolts, perform checks to ensure that the tightening is sufficient enough so that there is no movement or looseness.

**Make sure to remove this product if it will no longer be used.**

# Major Operating Controls



\* Because the triangle mark is engraved on the bracket, it can be seen from both the top and bottom sides.

# Installations

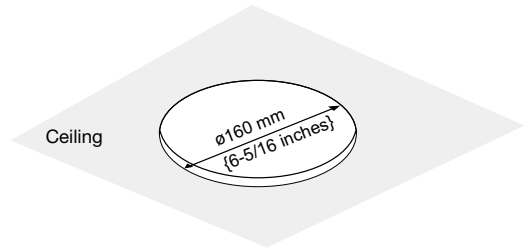
Be sure to read "Precautions" (☞ page 3) and "Precautions for installation" (☞ page 4) before installation. Read the Installation Guide for the camera to be installed as well.

## **Step1** Make a hole of 160 mm {6-5/16 inches} diameter using a specialized tool, etc.

Make a mounting hole in the ceiling using the template (accessory).

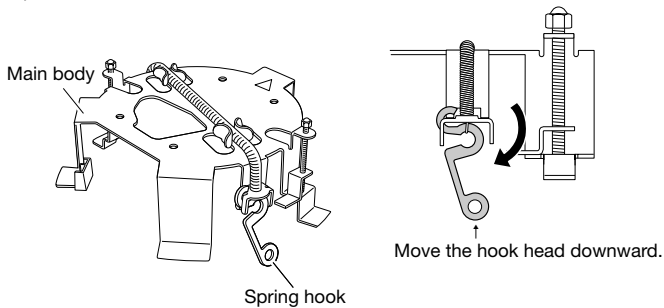
### **Important:**

- Make a hole precisely. When the opened hole is bigger or deformed too much, the ceiling mount bracket cannot be stuck on the ceiling board securely.



## **Step2** Position 2 of the spring hooks of the main body as shown in the illustration below.

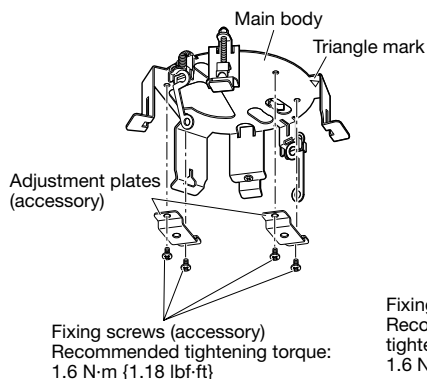
When the ceiling mount bracket is installed after positioning them in the opposite side, they may become hard to pull out.



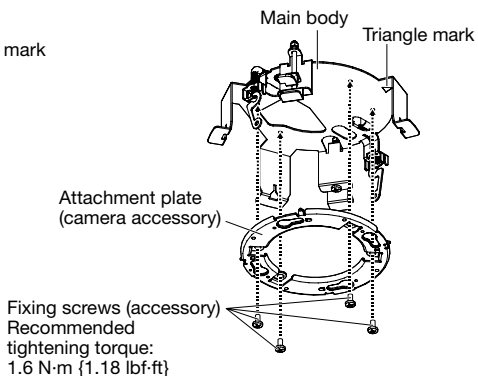
### Step3 Fix the plates to the ceiling mount bracket.

Attach the adjustment plates (accessory) or attachment plate (camera accessory) to the ceiling mount bracket first if they are needed for the attachment of the camera body.

#### <When securing the camera body using 2 screws>



#### <When securing the camera body using the attachment plate>

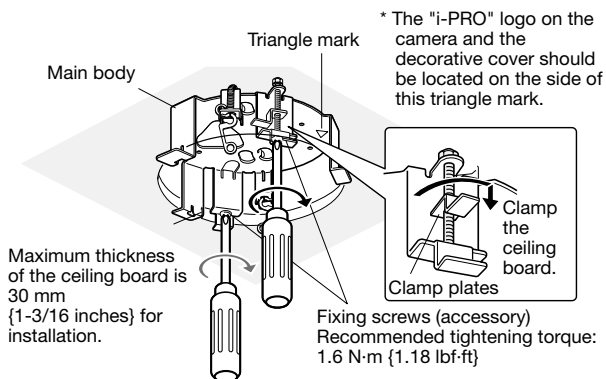


### Step4 Fix the ceiling mount bracket onto the ceiling board.

Loosen the fixing screws by rotating them counterclockwise until the length between the clamp plates becomes wider than the thickness of the ceiling board. Insert the ceiling mount bracket into the ceiling board, and clamp and secure the ceiling board by rotating the fixing screws clockwise.

#### Important:

- When the ceiling board is plasterboard, make sure that no crack was made on the ceiling board by clamping.



### Step5 Connect the cables to the camera.

Remove the enclosure from the camera body and connect the cables from above the ceiling board first. Refer to the operating instructions of the camera for information about connection points and how to make connections.

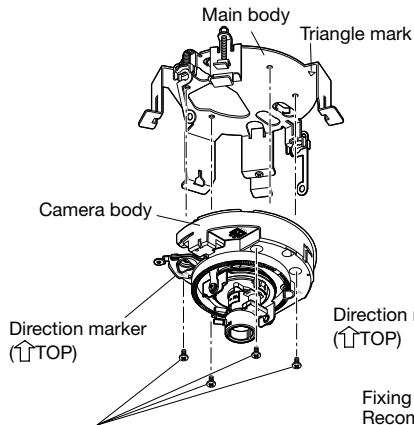


## Step6 Fix the camera body to the ceiling mount bracket.

The triangle mark of the ceiling mount bracket and the direction marker (↑TOP) of the camera body should be located on the opposite sides.

### <When using 4 mounting holes>

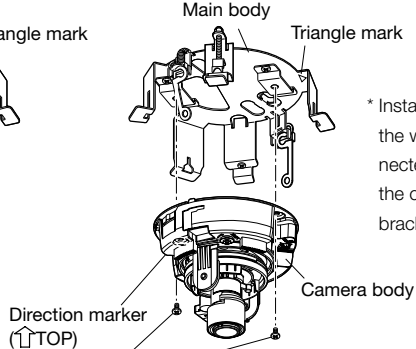
Fix the camera using 4 fixing screws (accessory).



Fixing screws (accessory)  
Recommended tightening torque:  
1.6 N·m {1.18 lbf·ft}

### <When using the adjustment plates>

Fix the camera on the adjustment plates (accessory) attached in step 3 using 2 fixing screws (accessory).



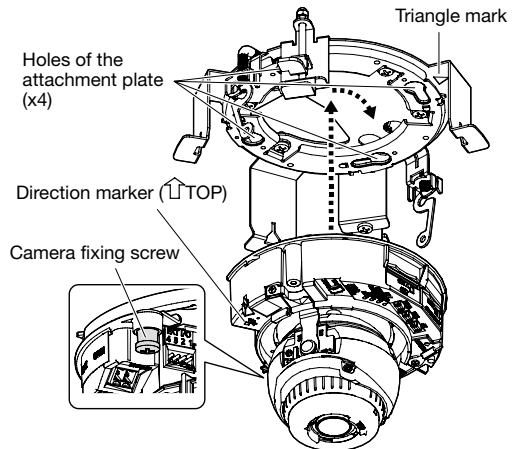
\* Install the camera so that the wiring should be connected from the side of the ceiling mount bracket.

Fixing screws (accessory)  
Recommended tightening torque:  
1.6 N·m {1.18 lbf·ft}

### <When using the attachment plate>

Align the attachment fixing screws on the bottom side of the camera with the holes of the attachment plate, and temporarily attach the camera by rotating it about 15° clockwise. Next, secure the camera with the camera fixing screw.

(Recommended tightening torque:  
0.78 N·m {0.58 lbf·ft})



### Important:

- When using the adjustment plates, do not pass the cables through the hole of the main body. When the wiring touches the edges of the main body, the cables may get damaged.

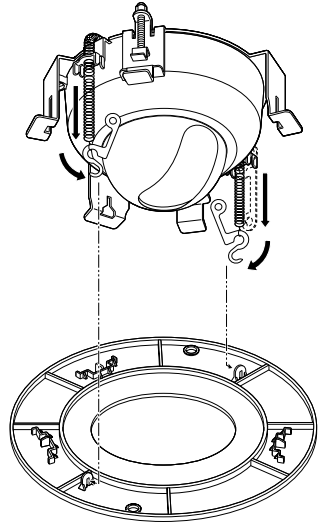
## Step7

### Adjust the angle of view of the camera and attach the enclosure.

Adjust the pan, tilt, etc. of the camera, and then adjust the angle of view. When the adjustment is completed, attach the enclosure to the camera.

\* Refer to the Installation Guide of each camera for information about how to adjust the angle of view and how to attach and fix the enclosure.

\* If the AF (Auto Focus) button on the side of the camera body must be pressed after attaching the enclosure, use the AF button push tool (accessory).



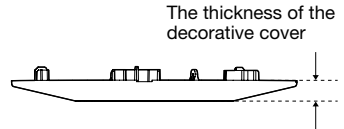
## Step8

### Attach the decorative cover.

Align the bracket with the 3 guides of the decorative cover, pull out both the spring hooks and attach the hooks to the decorative cover. Make sure that the cover is attached to the ceiling with no space between them.

\* There are 2 decorative covers. When using the attachment plate, use the thick cover. Use the thin cover for other models.

\* Match the "i-PRO" logos on the cover and on the camera.



## Specifications

Ambient operating temperature:	-10 °C to +50 °C {14 °F to 131 °F}
Dimensions:	ø186 mm × 76.2 mm(H*) {ø7-5/16 inches×3 inches} *Including decorative cover thickness: 15.7 mm {5/8 inches}
Mass:	Approx. 350 g {0.77 lbs}
Finish:	Main body: Surface treatment steel sheet Decorative cover: ABS resin (resin color: sail white)

## Standard accessories

Operating Instructions (this document)..... 1 set

The following are for installation

Fixing screw (M4 x 8).....	8 pcs. (incl. 2 spare screws)
Template (for tracing the hole shape) .....	1 sheet
Adjustment plate .....	2 pcs.
Decorative cover.....	2 pcs.
AF button push tool.....	1 pc.

**For U.S. and Canada:**

i-PRO Americas Inc.

**For Europe and other countries:**

i-PRO EMEA B.V.

<https://www.i-pro.com/>