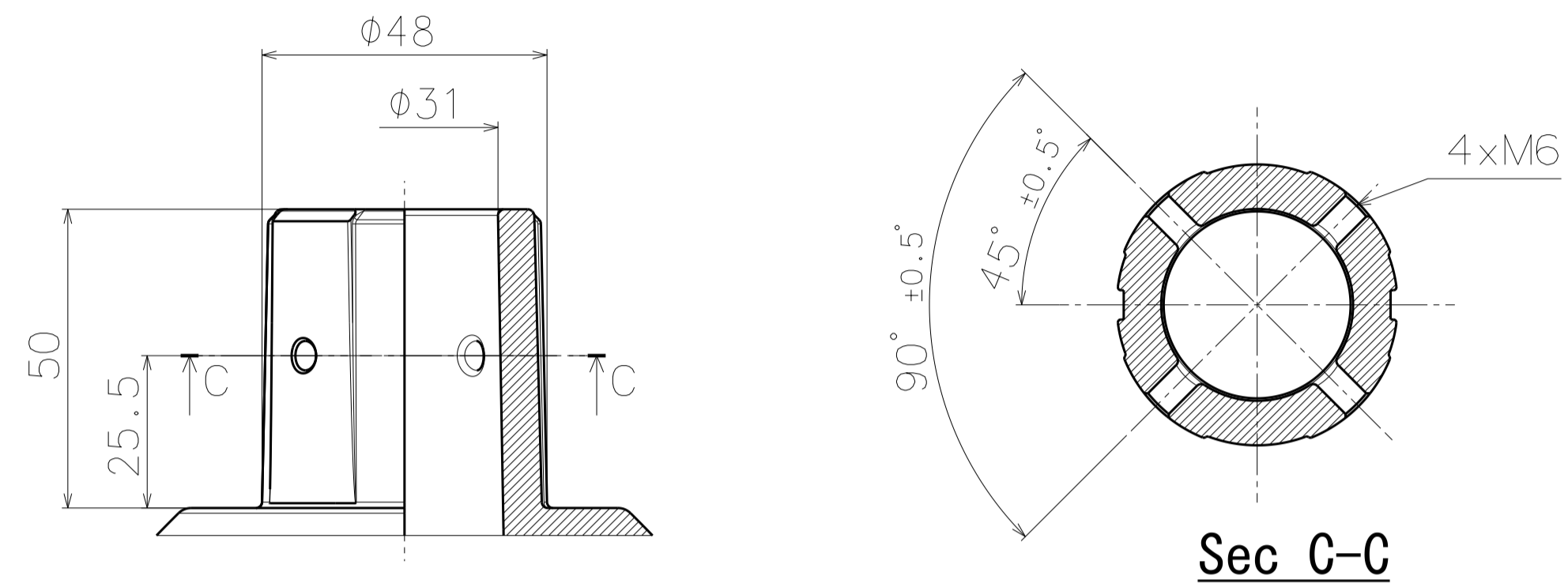


Detail B (S=1:1)
Fixing screw type

WV-QSR504-W, WV-QSR504S-W

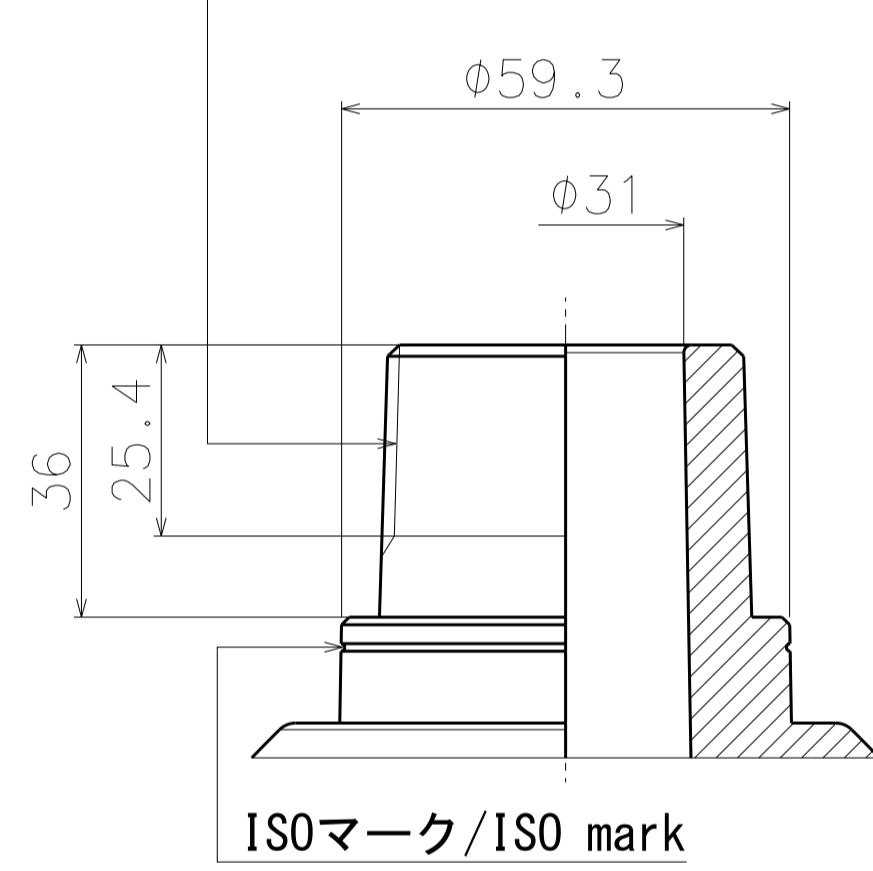
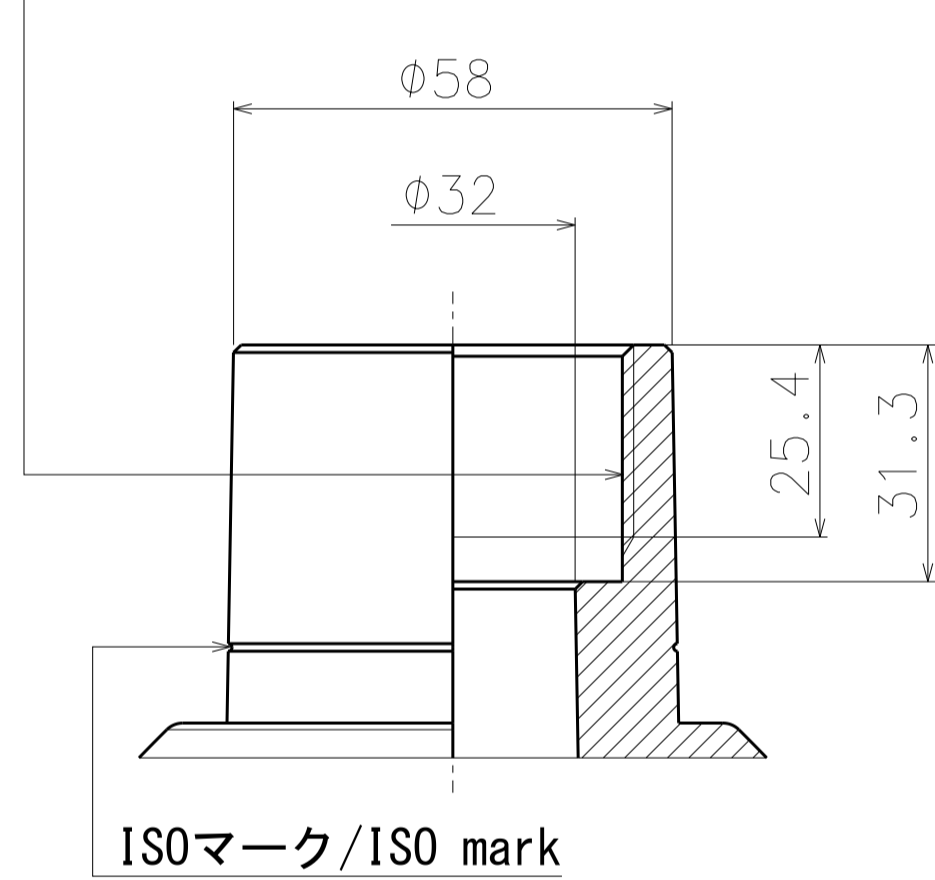


WV-QSR504F-W

WV-QSR504M-W

Rp 1-1/2, 11 crest
(ISO (JIS) 規格/ISO (JIS) STANDARD)

R 1-1/2, 11 crest
(ISO (JIS) 規格/ISO (JIS) STANDARD)

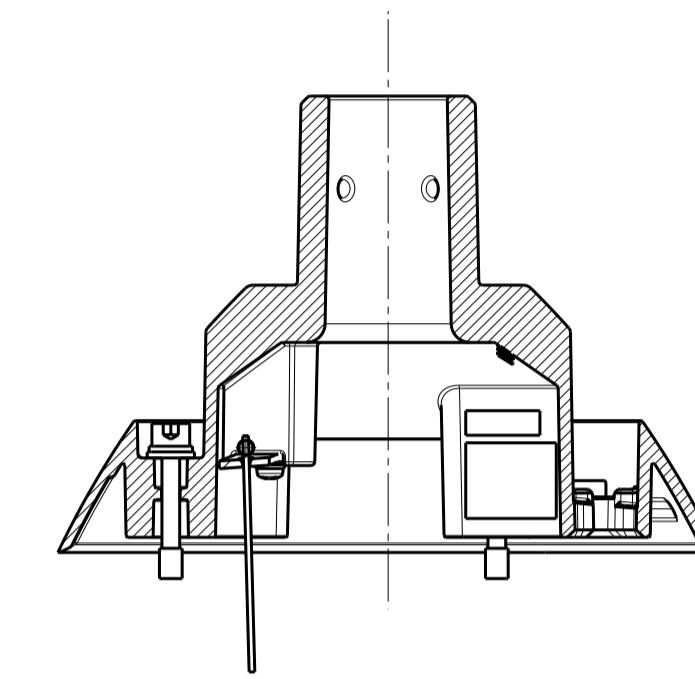
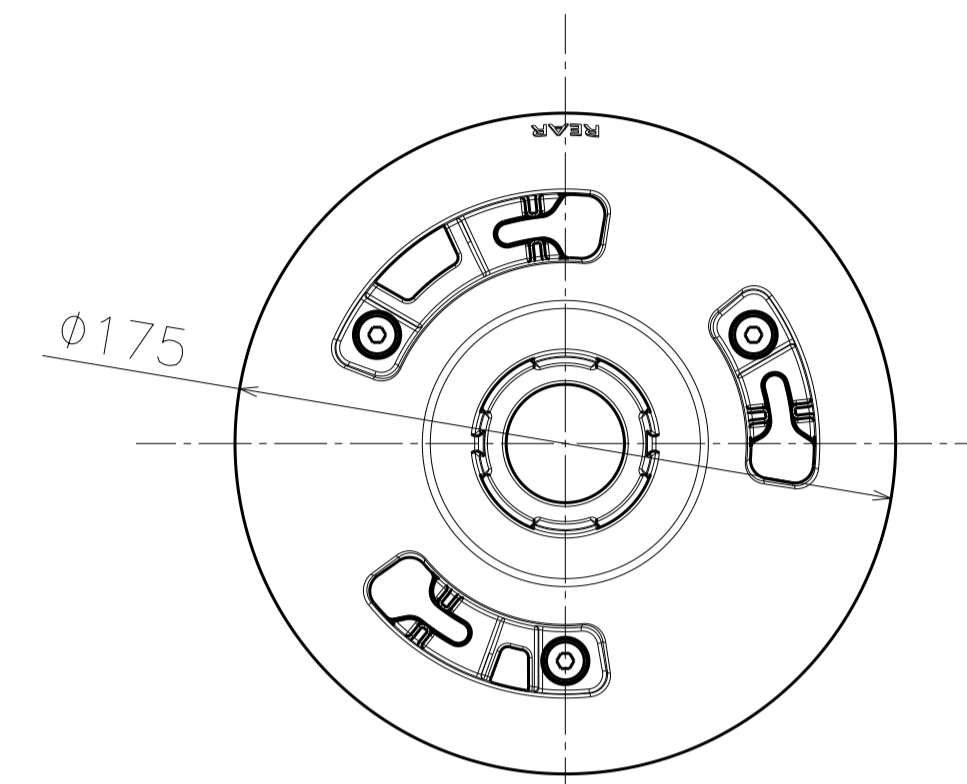
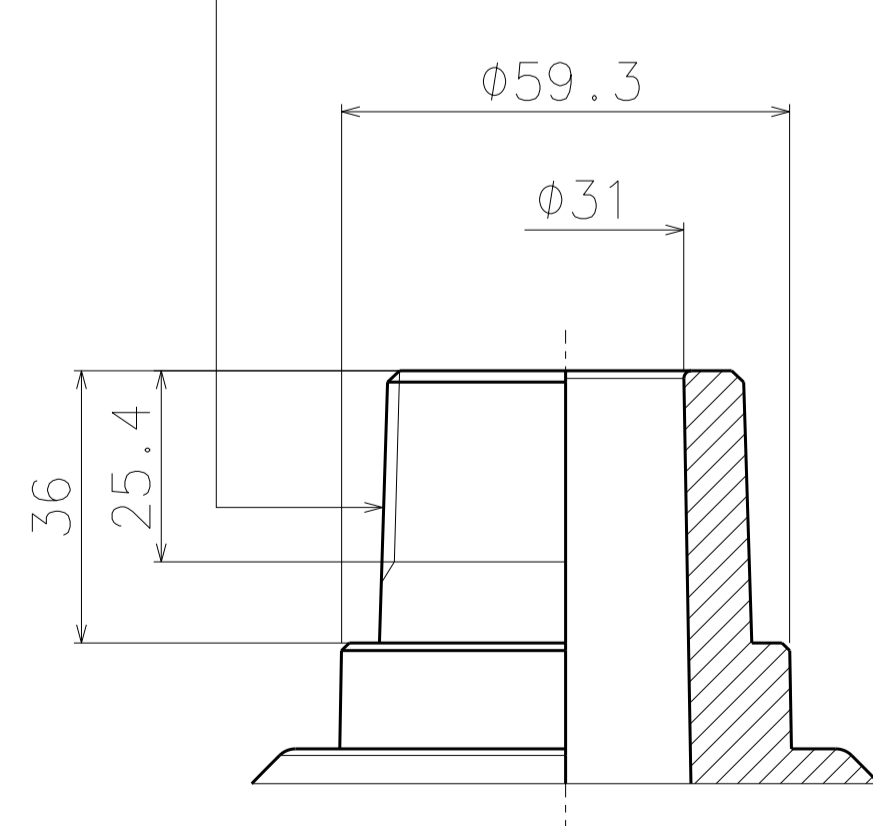
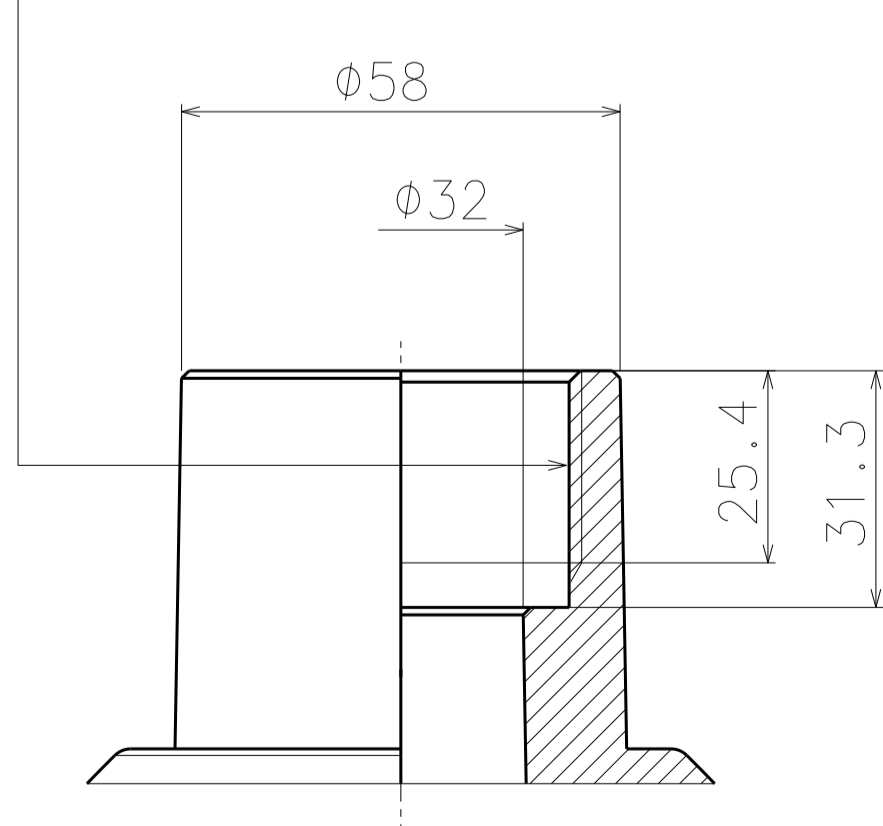


WV-QSR504F1-W

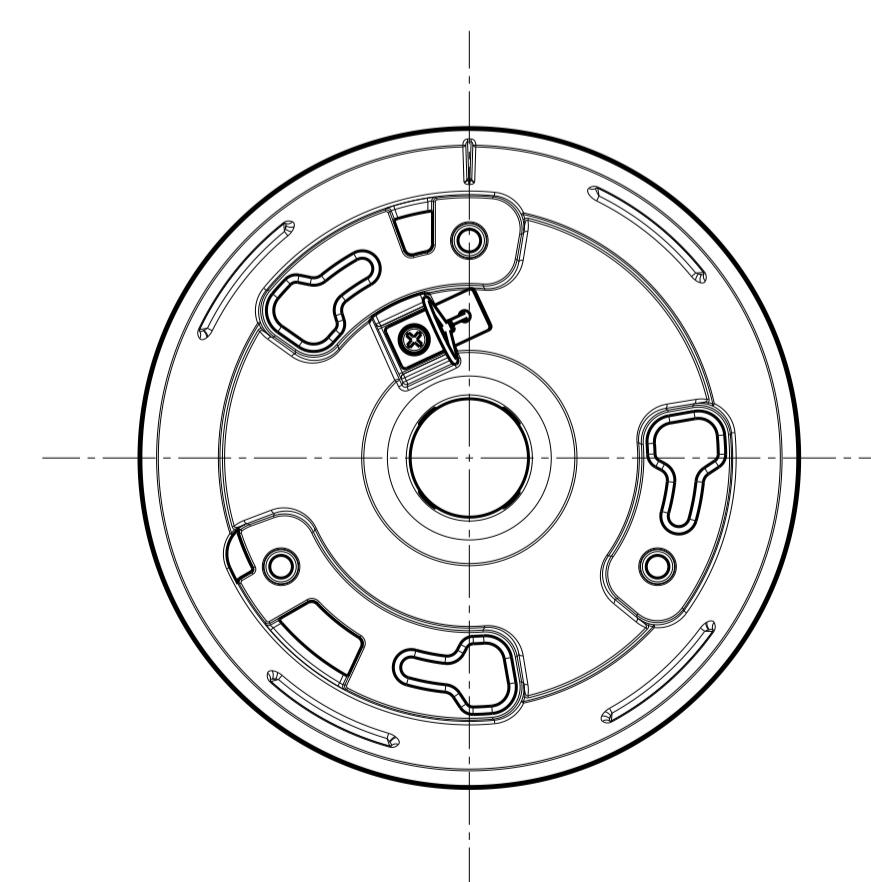
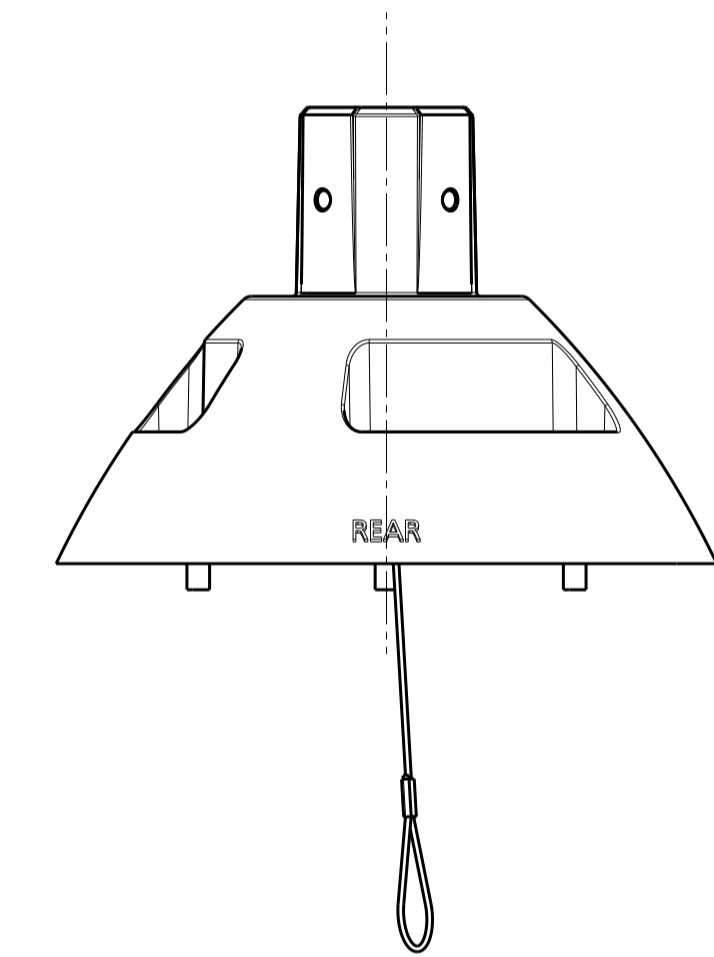
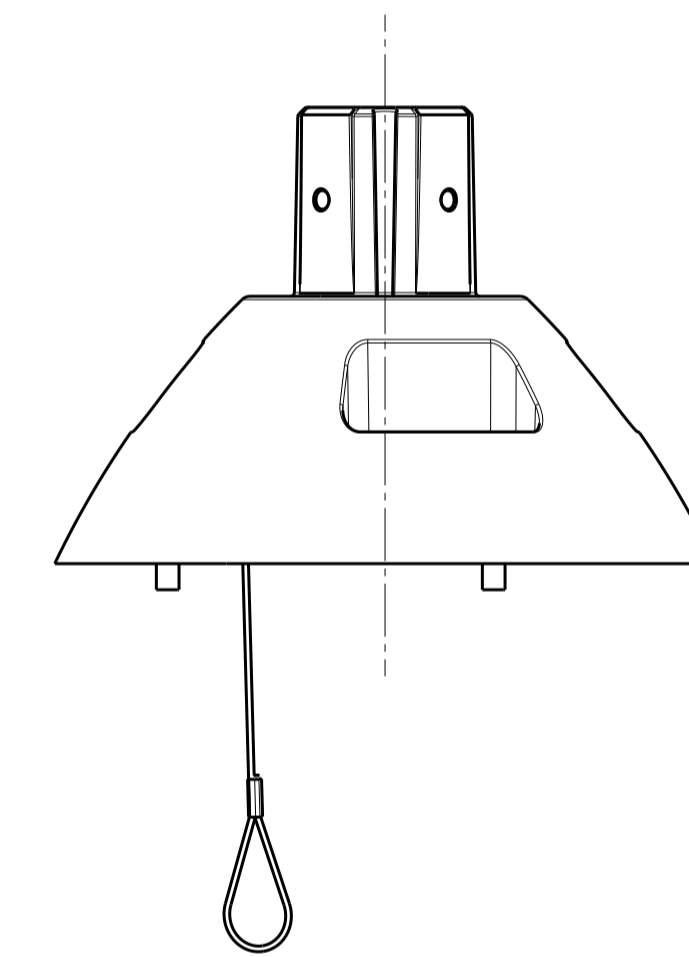
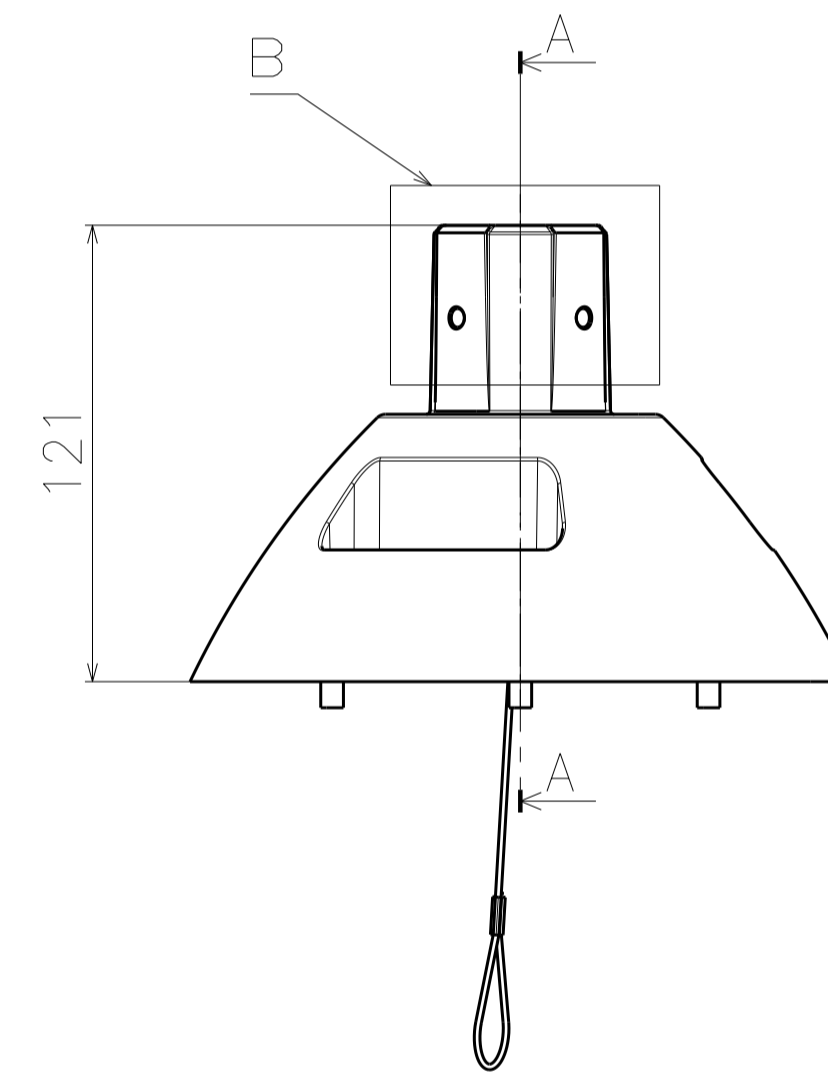
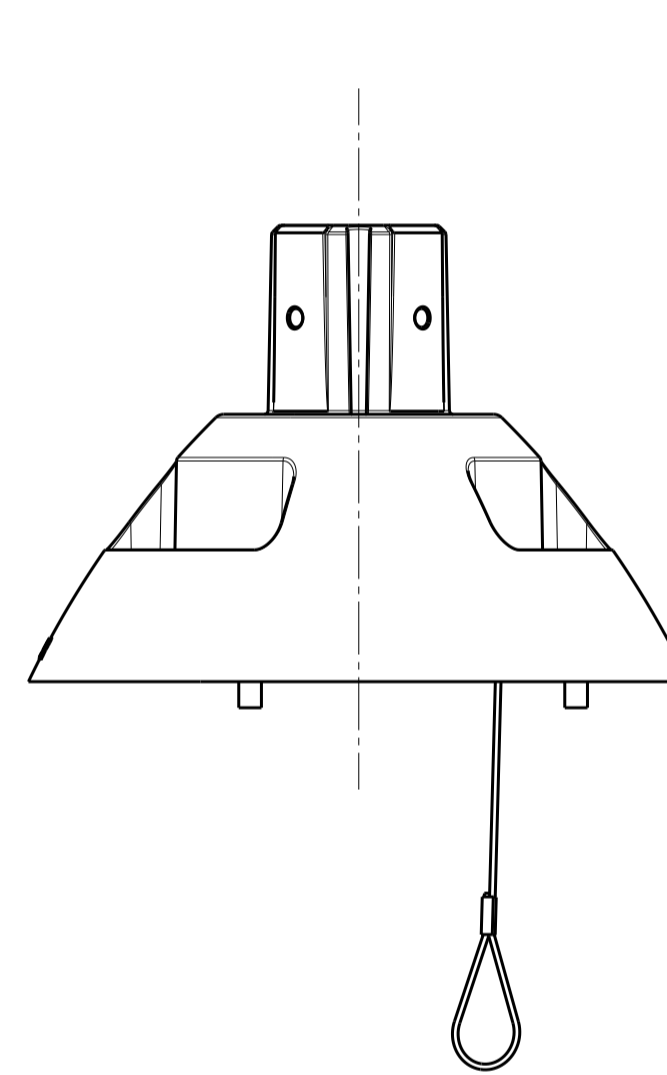
WV-QSR504M1-W

NPS 1-1/2, 11.5 crest
(ANSI規格/ANSI STANDARD)

NPT 1-1/2, 11.5 crest
(ANSI規格/ANSI STANDARD)



Sec A-A

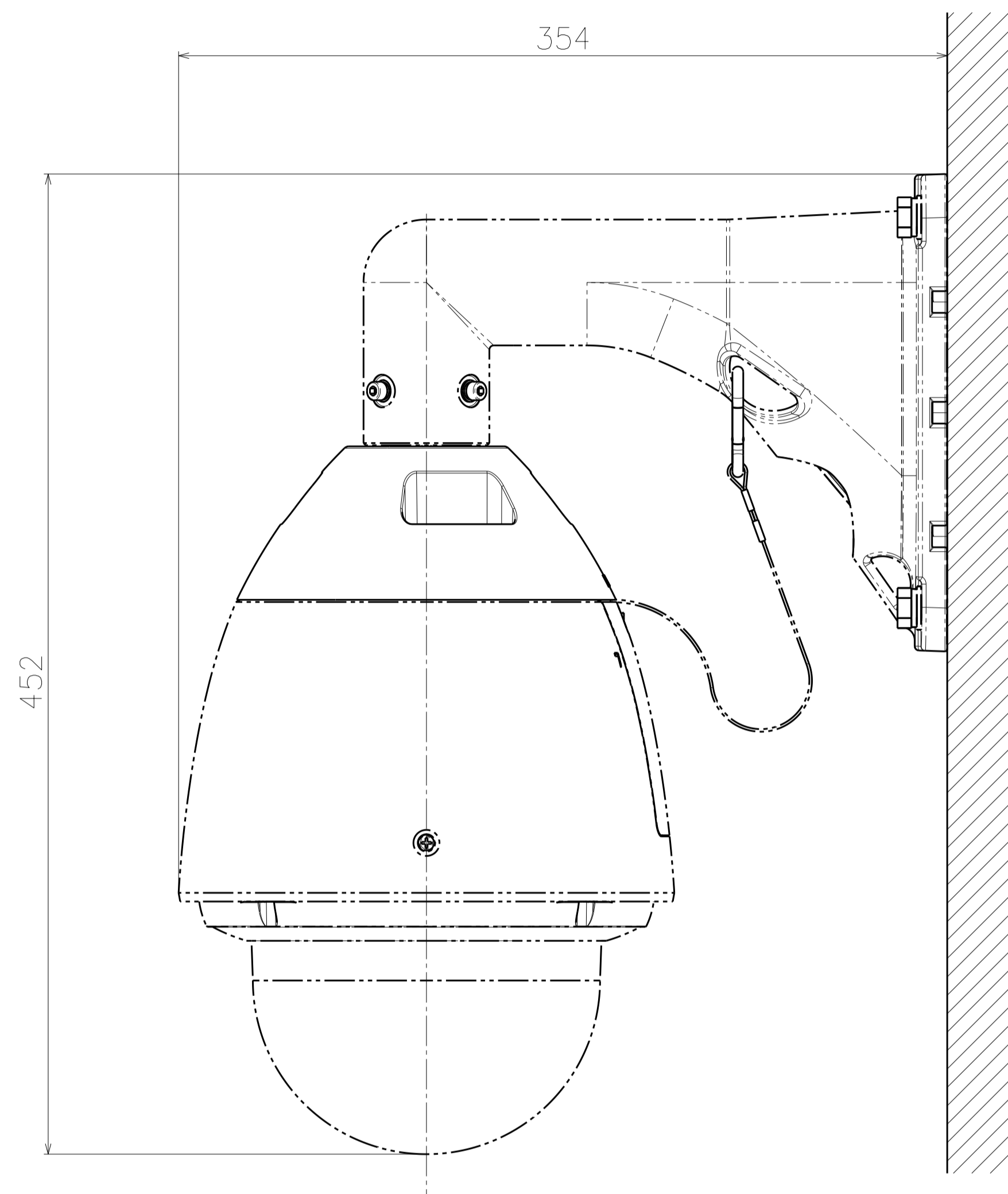


Model number	Color
WV-QSR504-W	i-PRO white
WV-QSR504S-W	i-PRO white (Heavy salt damage resistance)
WV-QSR504F-W	i-PRO white
WV-QSR504M-W	
WV-QSR504F1-W	
WV-QSR504M1-W	

側面図/Side-view (嵌合部除く) (Excluding the mating part)	投影面積/Projected area	
	WV-QSR504-W	0.009 (m ²)
	WV-QSR504S-W	0.012 (m ²)
	WV-QSR504F-W	0.010 (m ²)
	WV-QSR504M-W	0.012 (m ²)
WV-QSR504F1-W	0.010 (m ²)	
WV-QSR504M1-W	0.012 (m ²)	

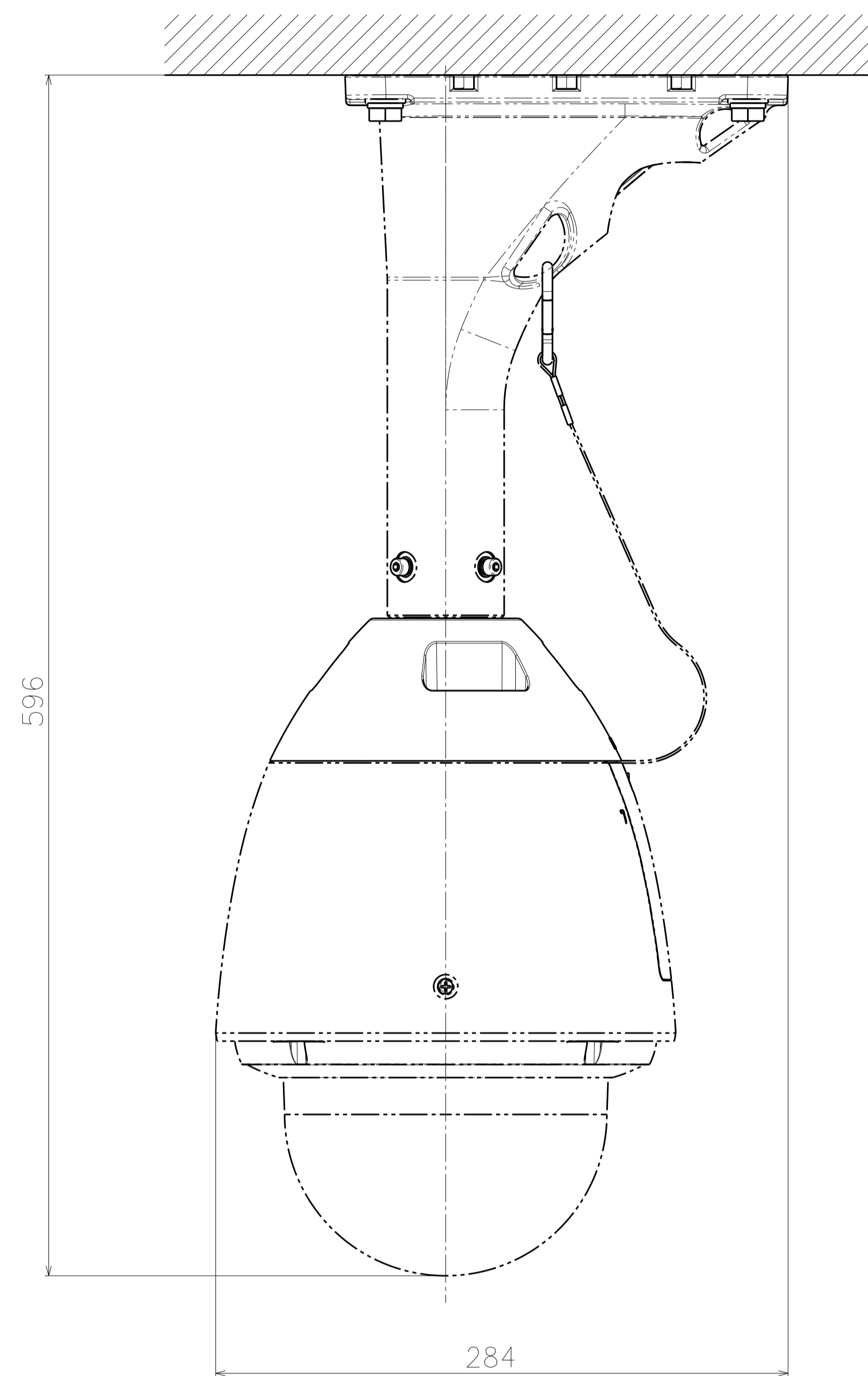
Mass : Approx. 1.0 kg {2.21 lbs}

カメラとの組み合わせ例
Example of combination with a camera



Attach to WV-S65340-Z4N & WV-QWL501-W

	投影面積/Projected area
側面図/Side-view	0.083 (m ²)
平面図/Side-view	0.050 (m ²)



Attach to WV-S65340-Z4N & WV-QCL501-W

	投影面積/Projected area
側面図/Side-view	0.080 (m ²)
平面図/Side-view	0.048 (m ²)

Model number
WV-QSR504-W
WV-QSR504S-W
WV-QSR504F-W
WV-QSR504M-W
WV-QSR504F1-W
WV-QSR504M1-W