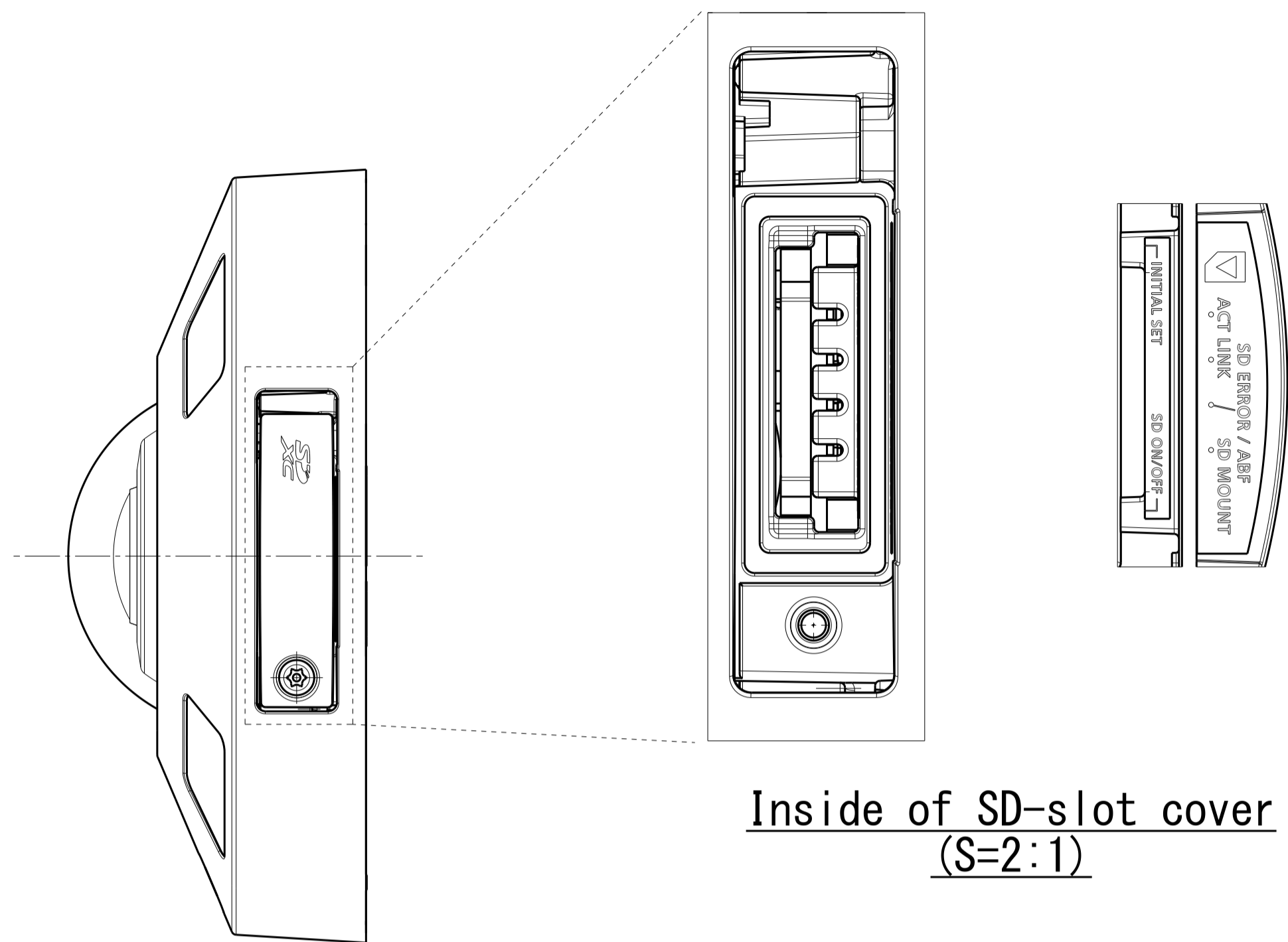


With Attachment Plate

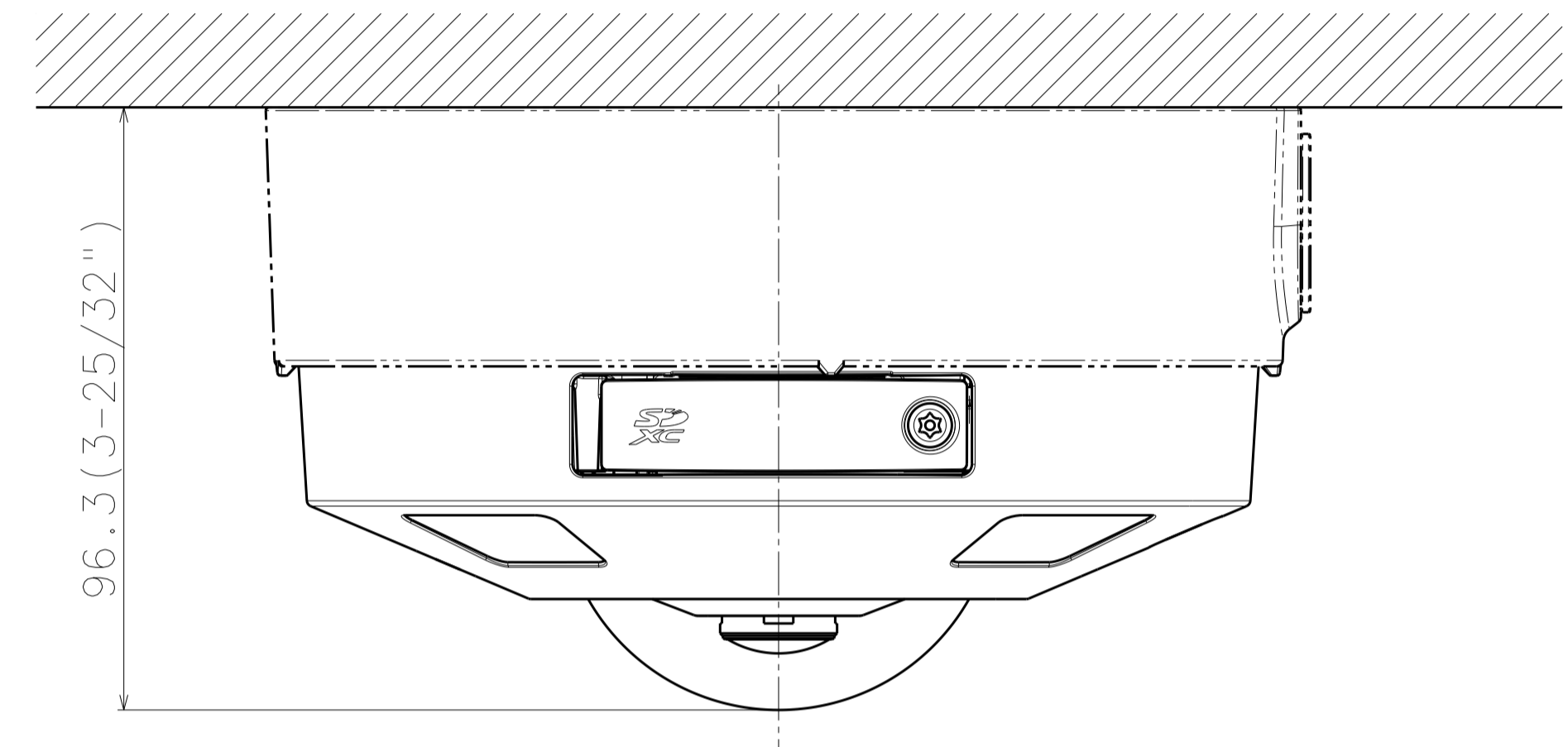
	投影面積/Projected area
側面図/Side-view	0.007 (m ²)

Mass : Approx. 870 g {1.92 lbs} (When using the attachment plate)

WV-S4556LM

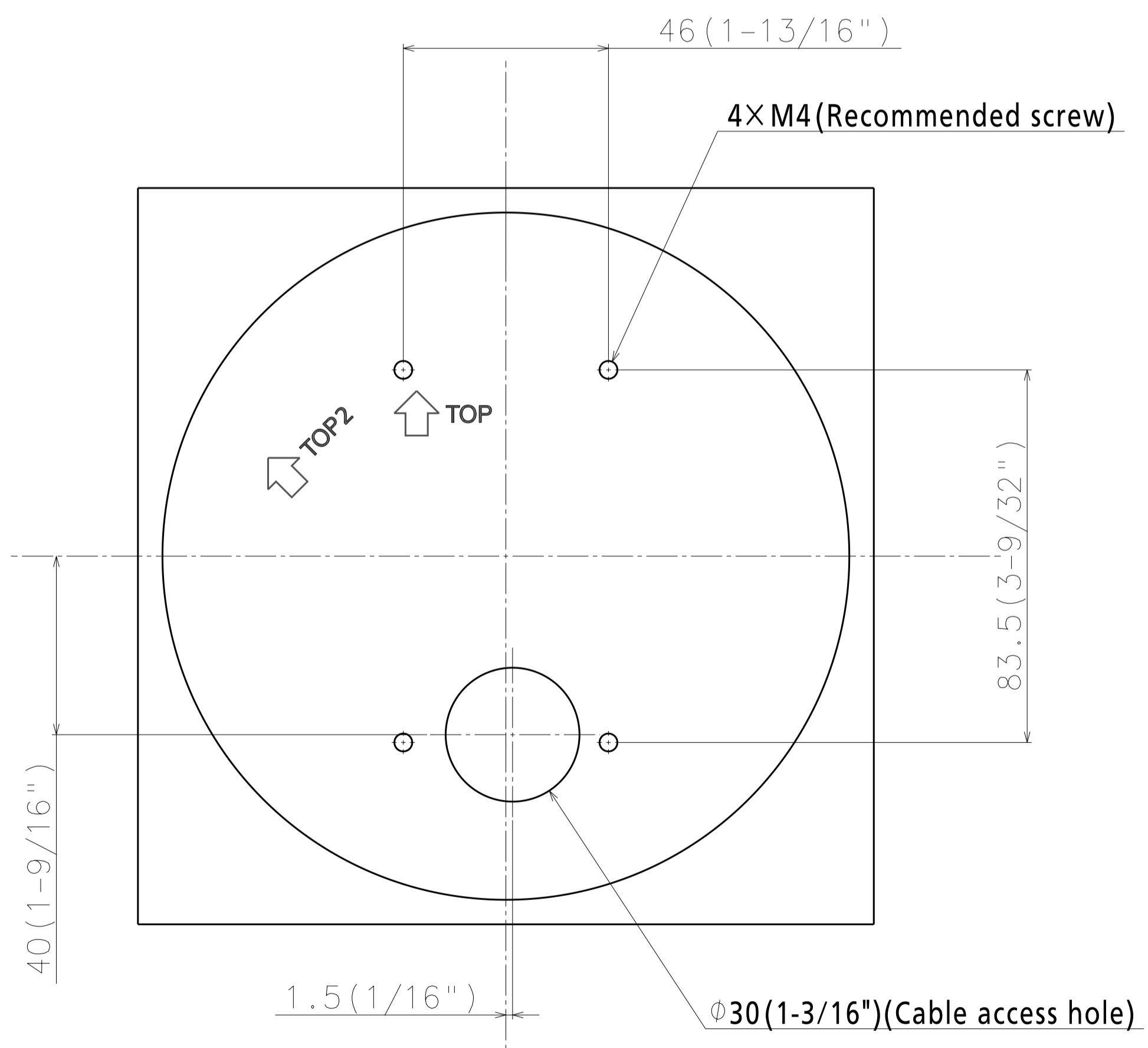


Inside of SD-slot cover
(S=2:1)



Attach to WV-QJB501-W

	投影面積/Projected area (With Base Bracket)
側面図/Side-view	0.013(m2)



Template for mounting