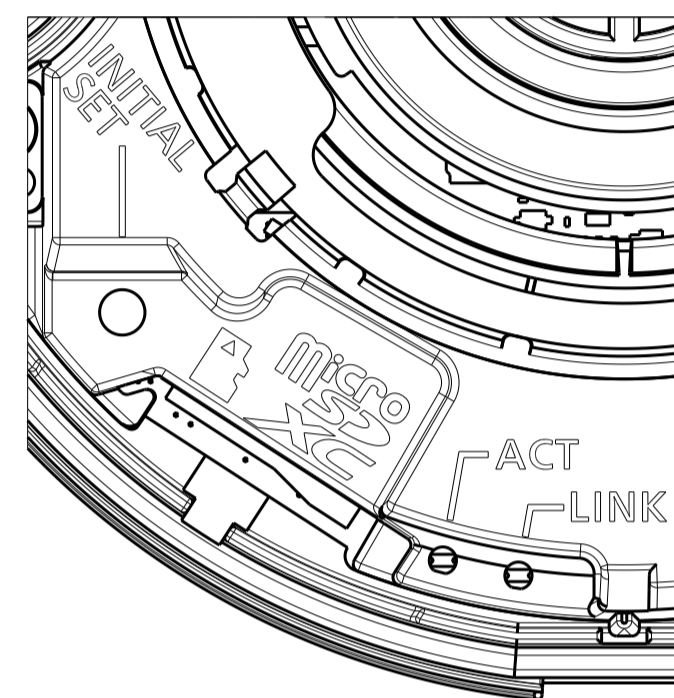


Template for mounting

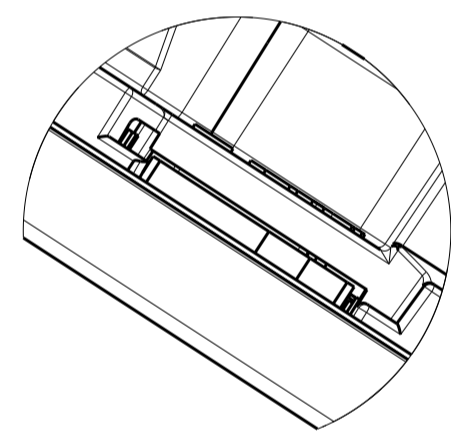
側面図/Side-view	投影面積/Projected area 0.005 m ²
---------------	---

Mass : Approx. 270 g {0.60 lbs}

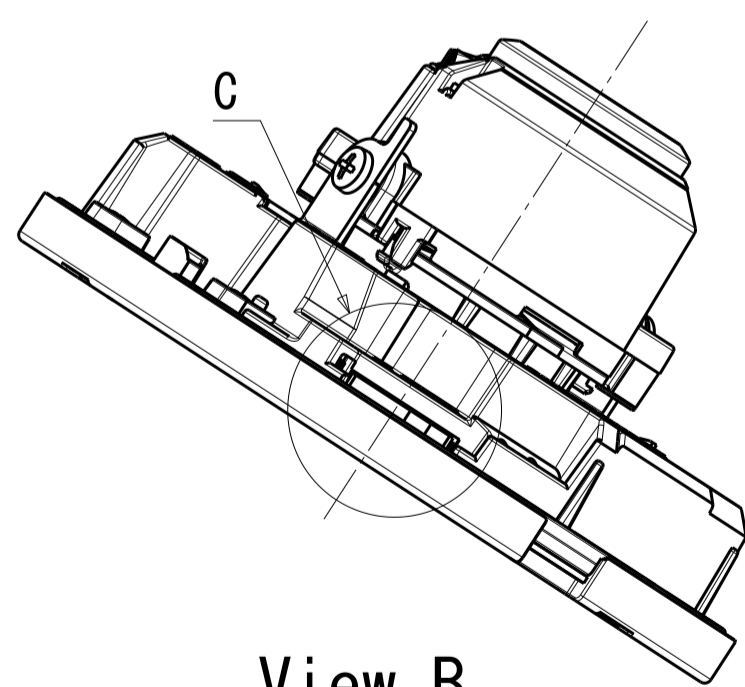
WV-U2530LA



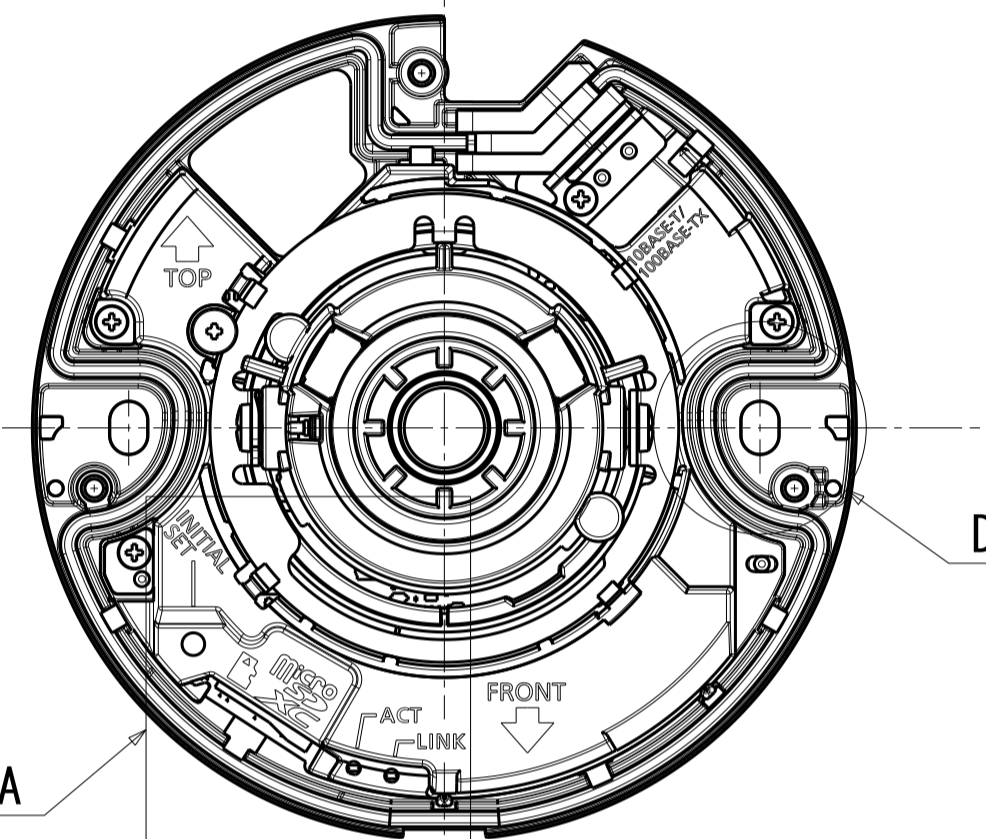
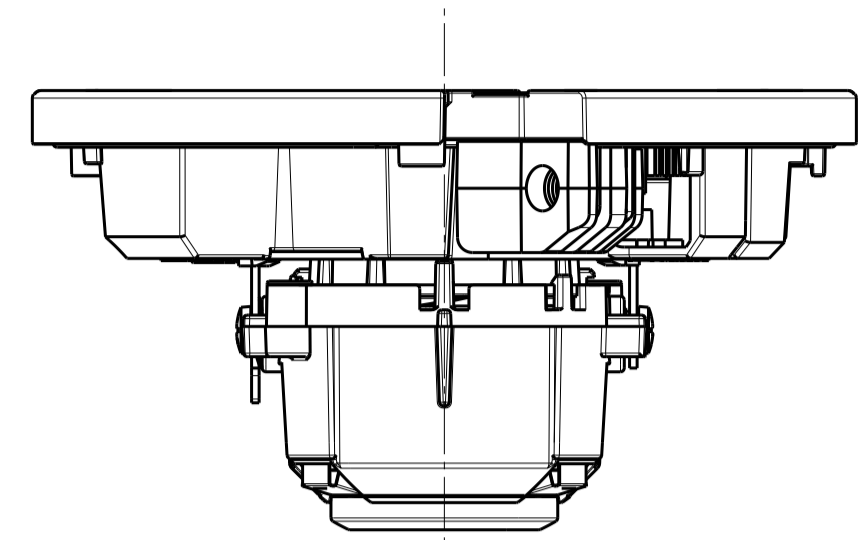
Detail A (2:1)



Detail C (2:1)

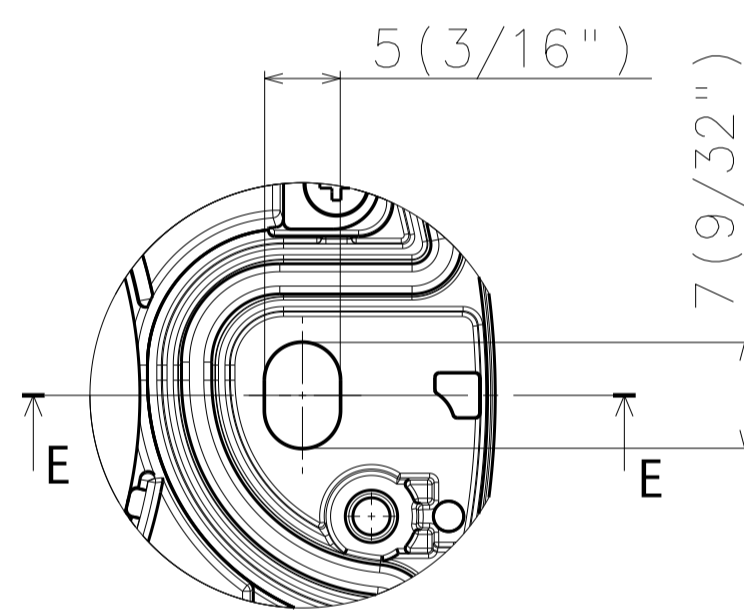


View B

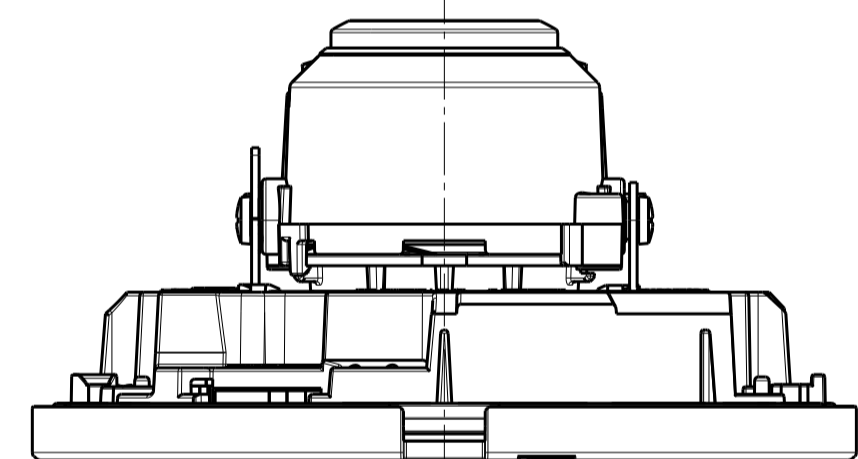


A

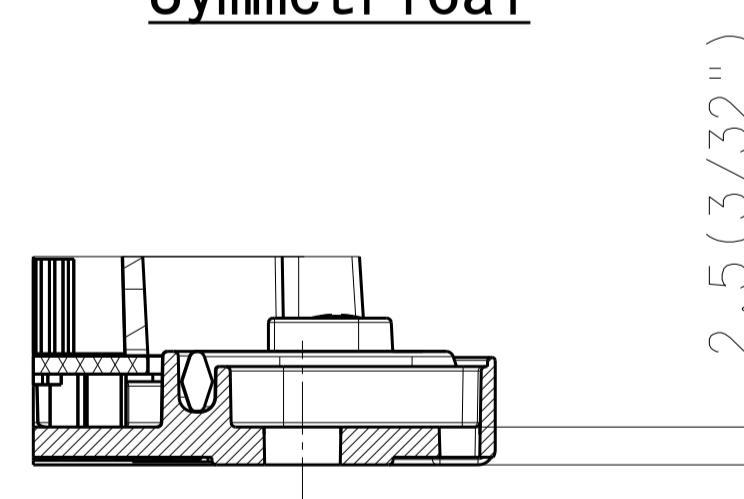
B



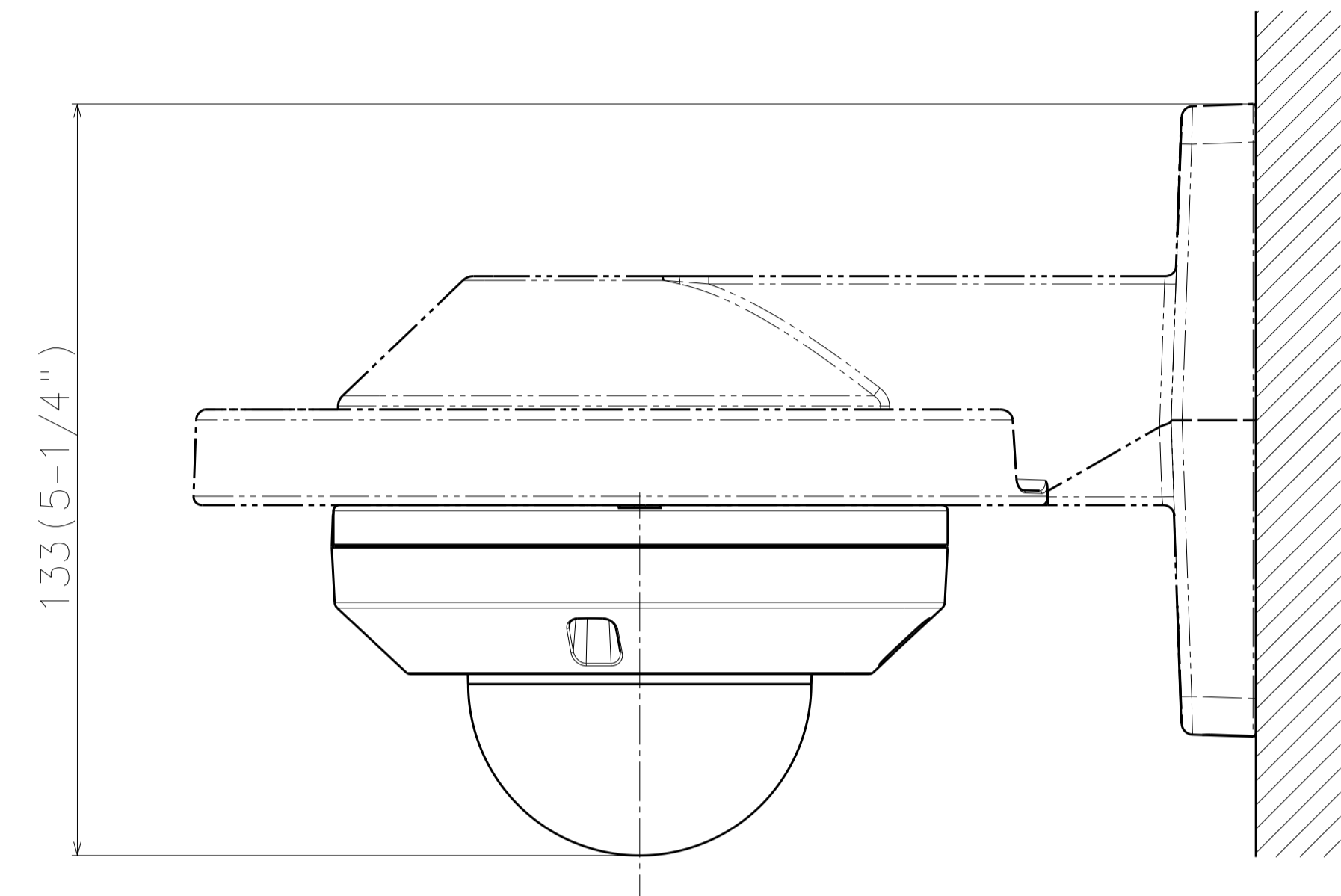
Detail D (2:1)
Symmetrical



Without Enclosure

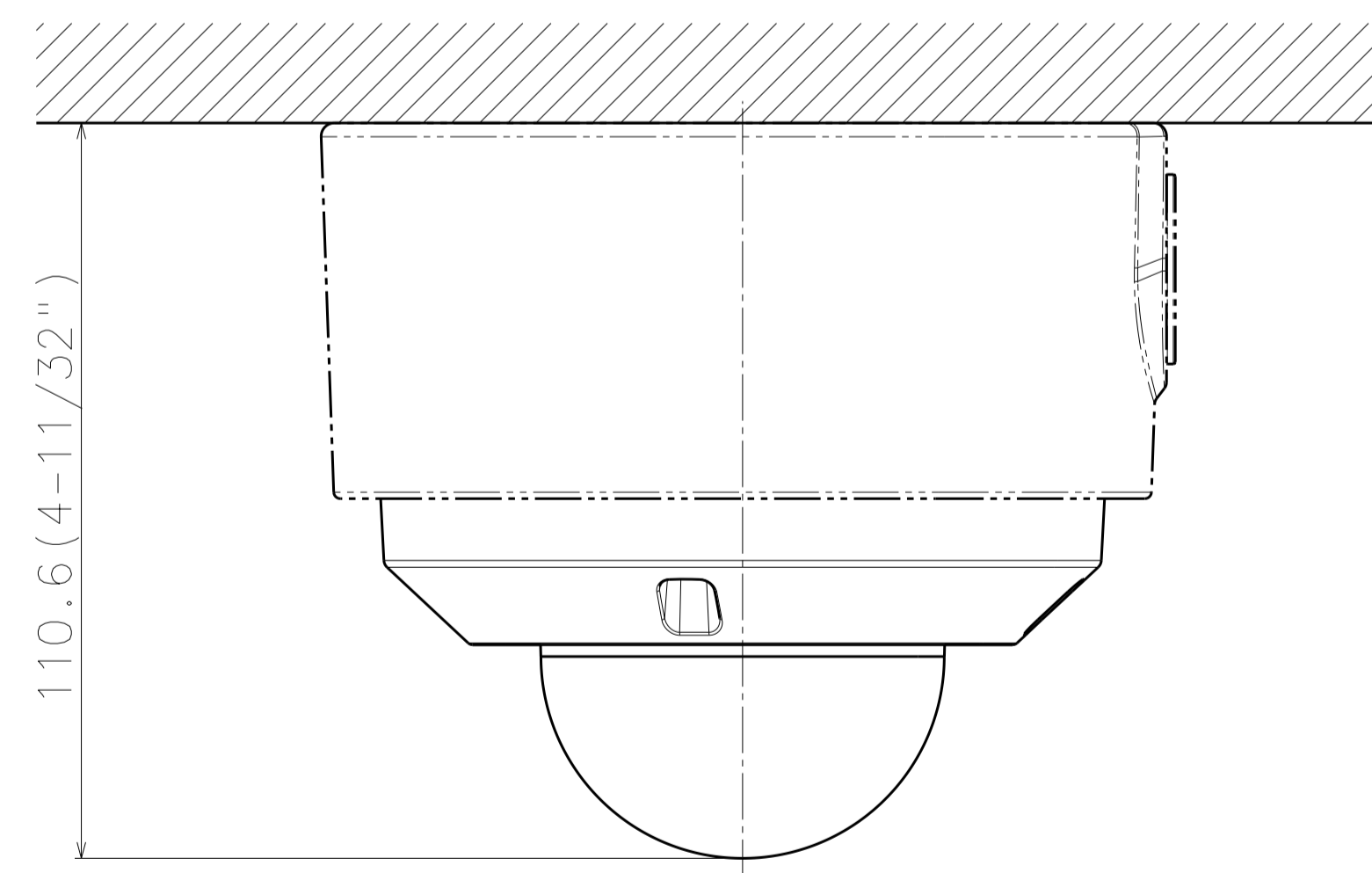


SEC E-E (2:1)
Symmetrical



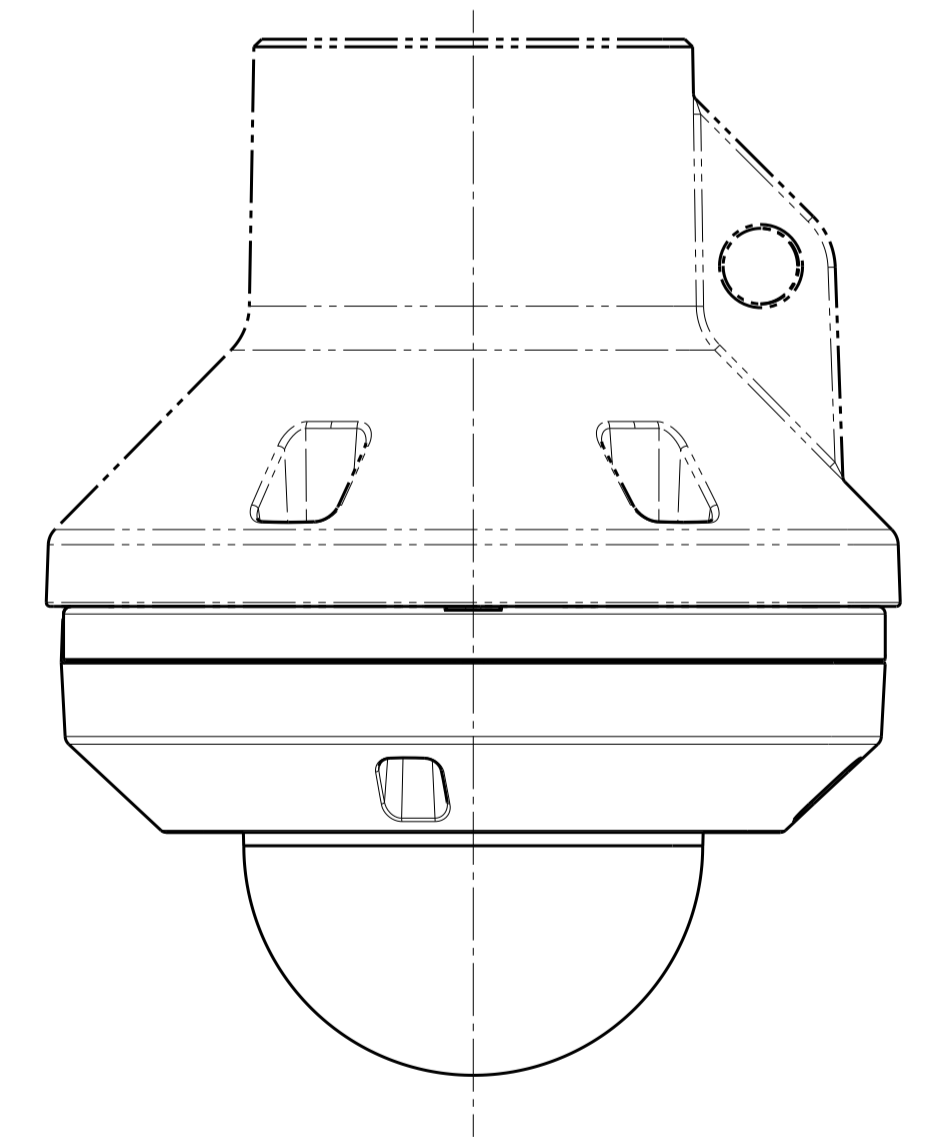
Attach to WV-QWL500-W

側面図/Side-view	投影面積/Projected area 0.013 (m ²)
---------------	--



Attach to WV-QJB502-W

側面図/Side-view	投影面積/Projected area 0.011 (m ²)
---------------	--



Attach to WV-QCL100-W