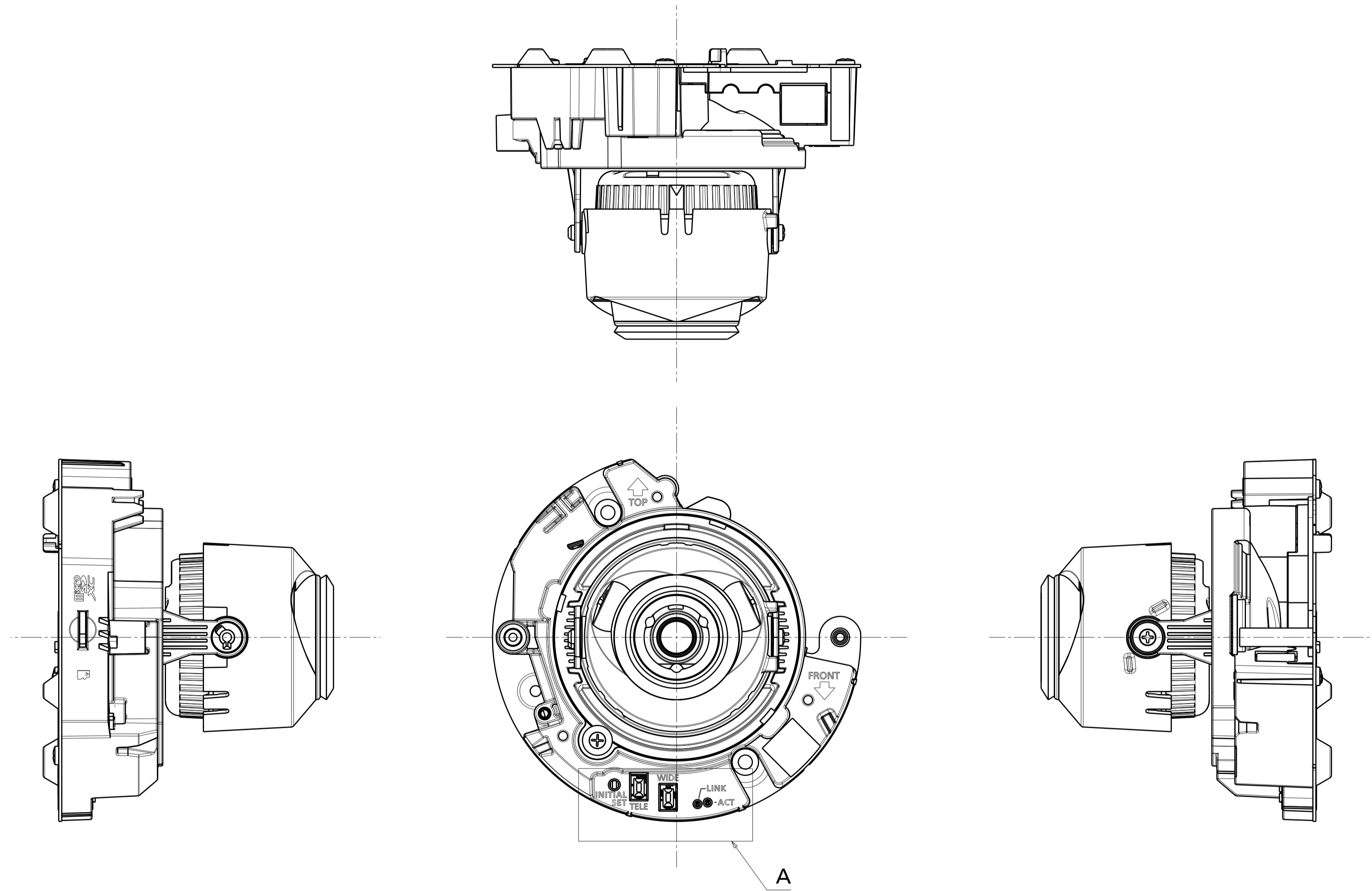
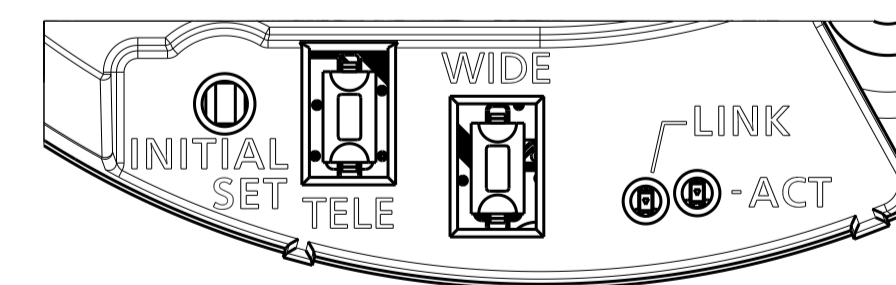


Mass : Approx. 350 g {0.77 lbs}

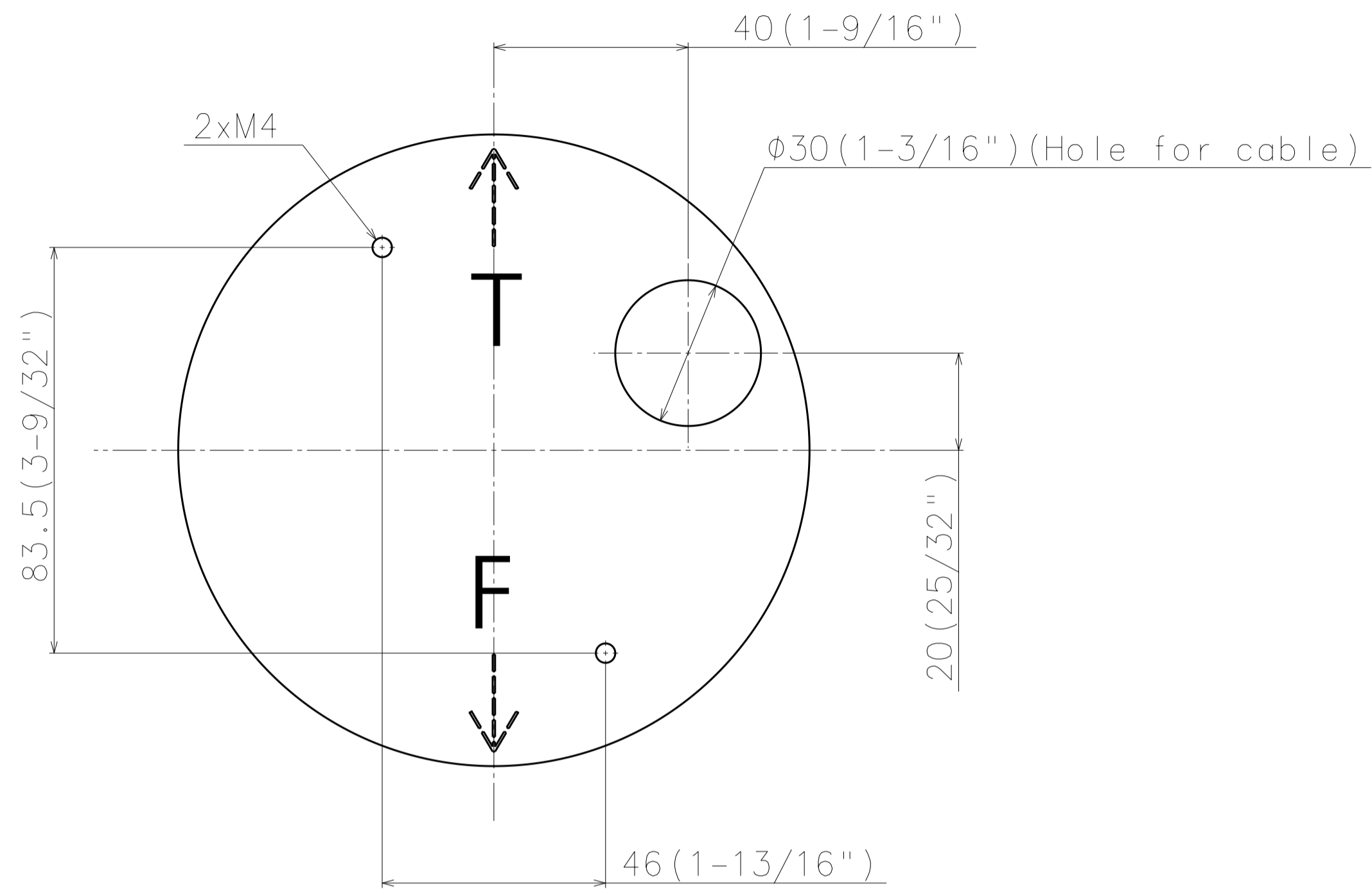
WV-U2142LA



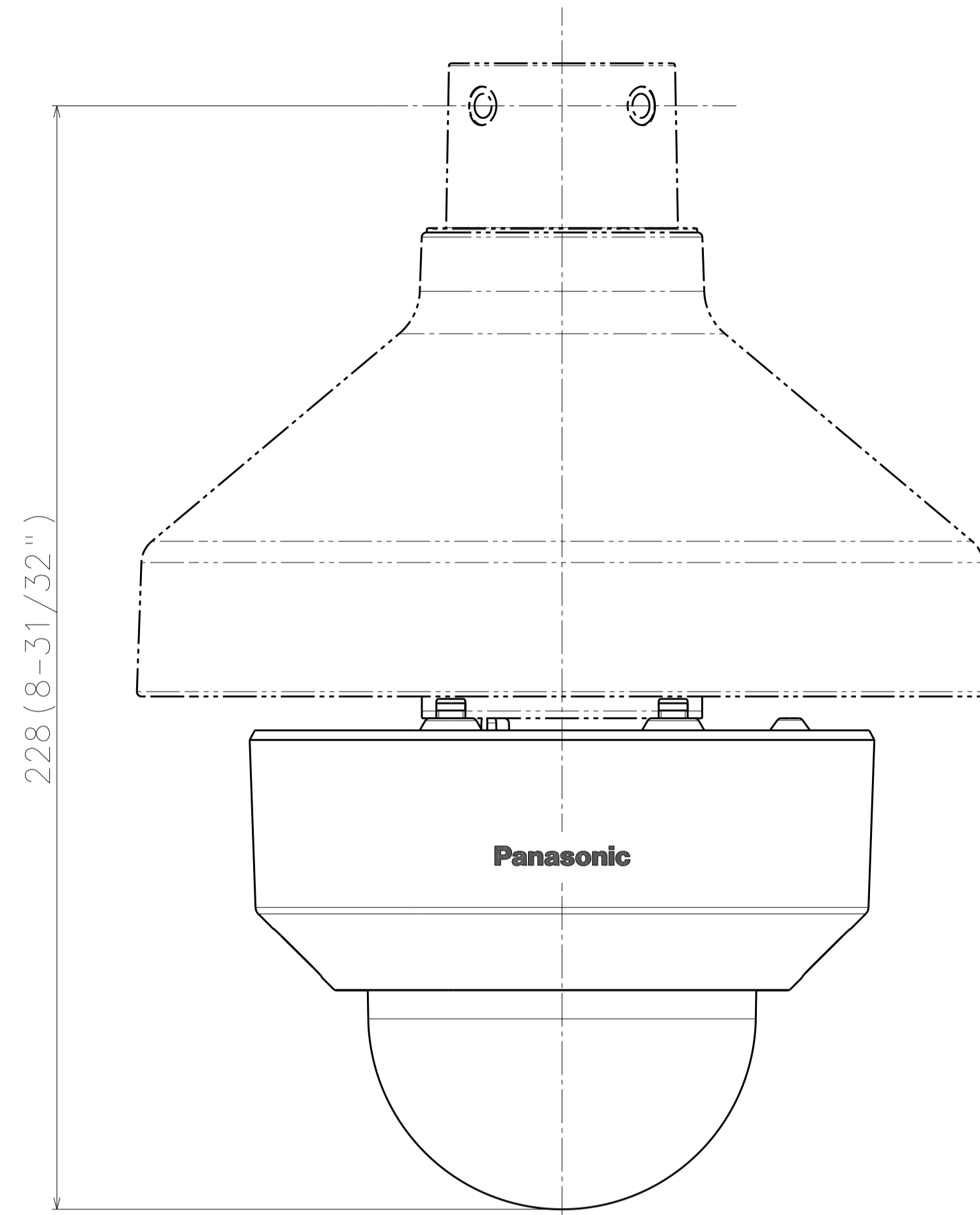
Without Enclosure



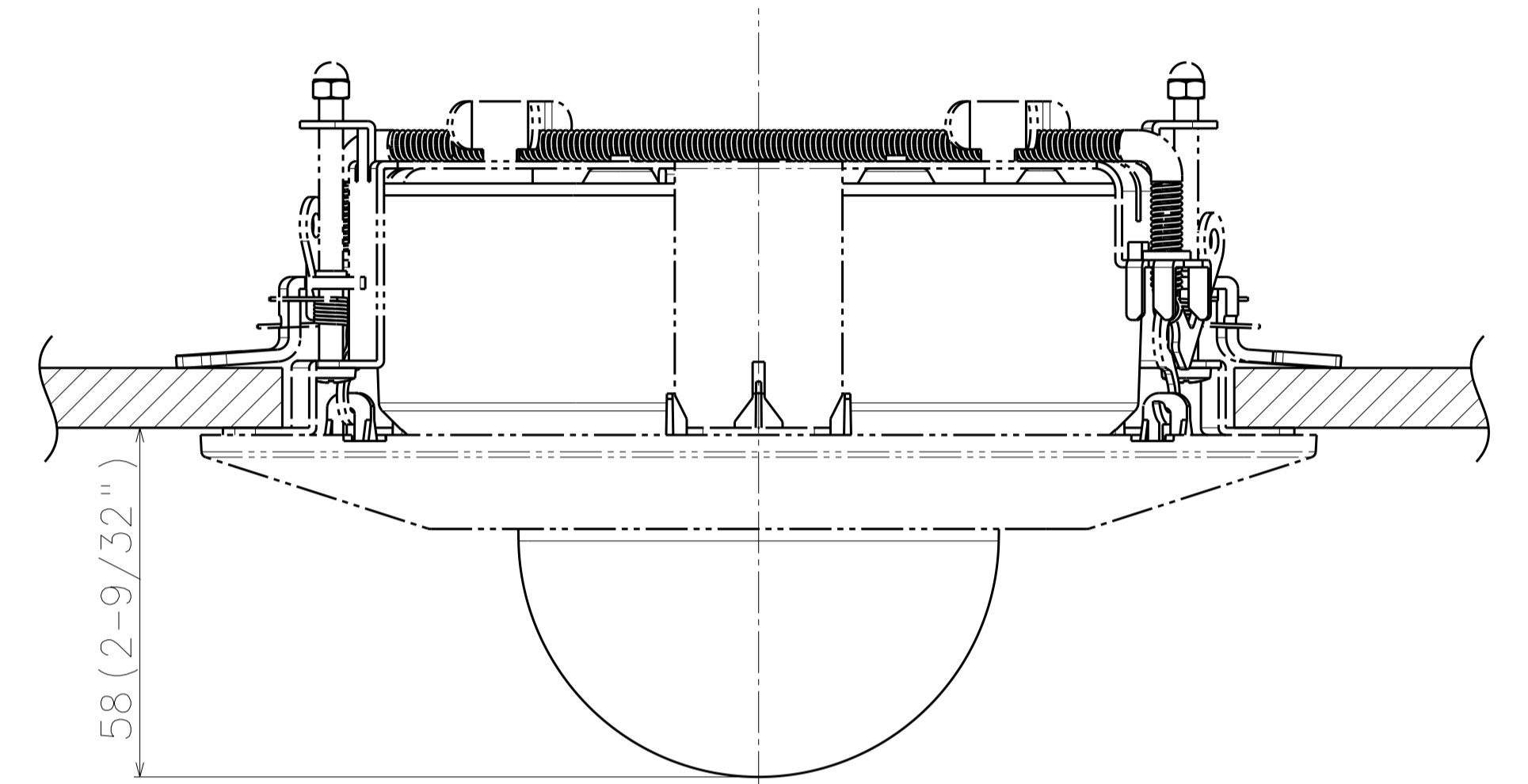
Detail A (2:1)



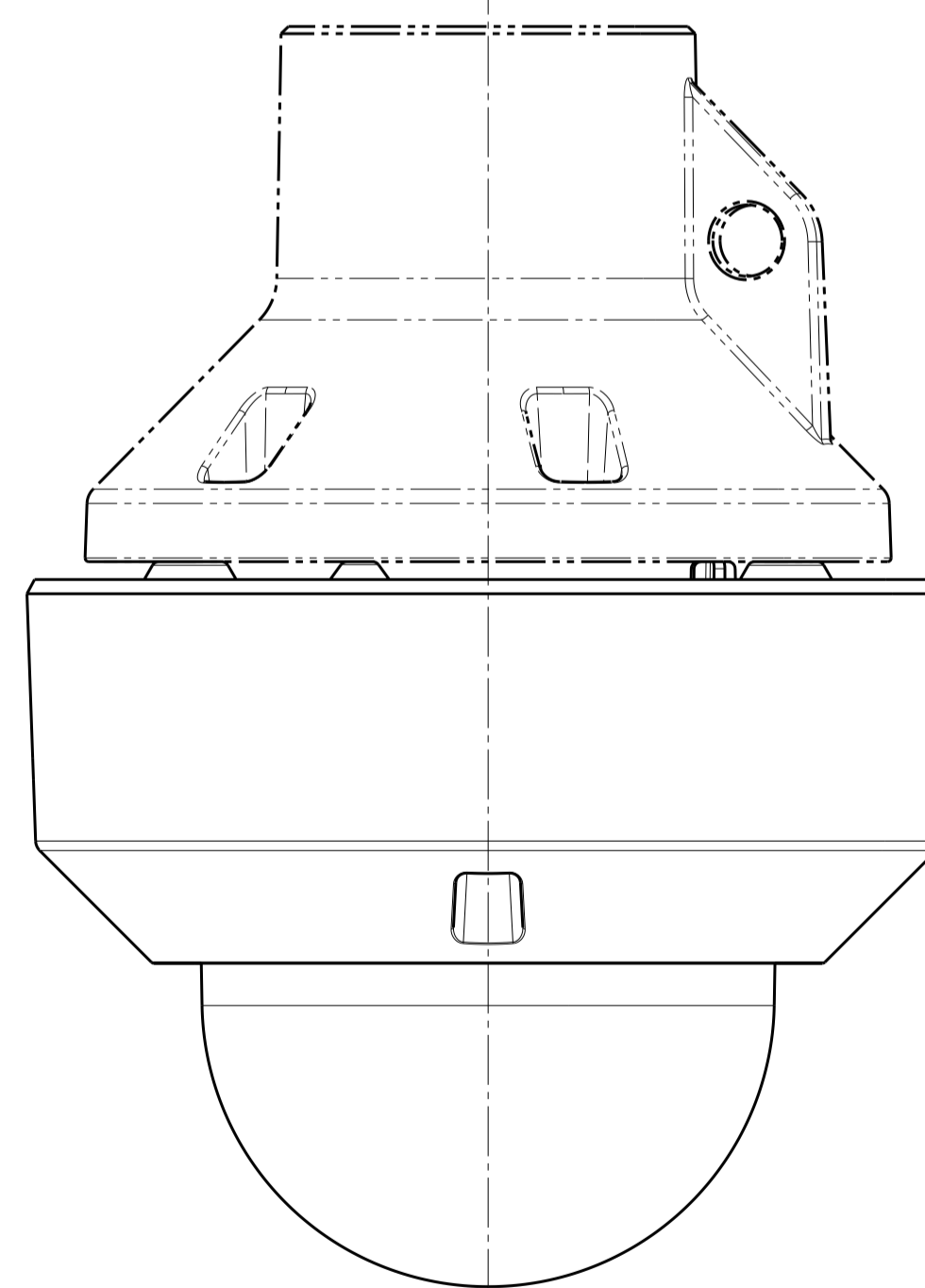
Template for mounting



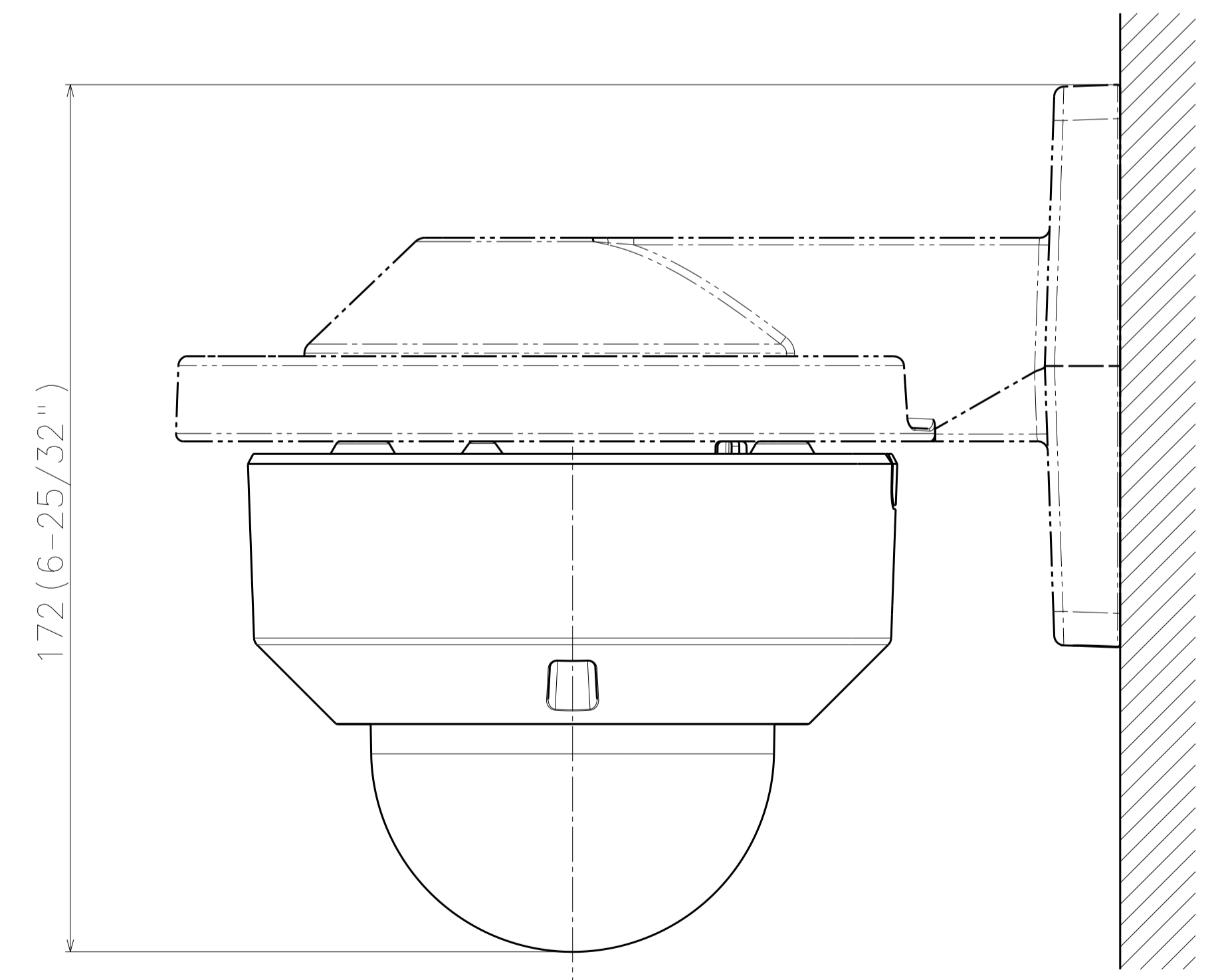
Attach to WV-QSR501-W



Attach to WV-QEM100-W



Attach to WV-QCL100-W



Attach to WV-QWL500-W

WV-U2142LA