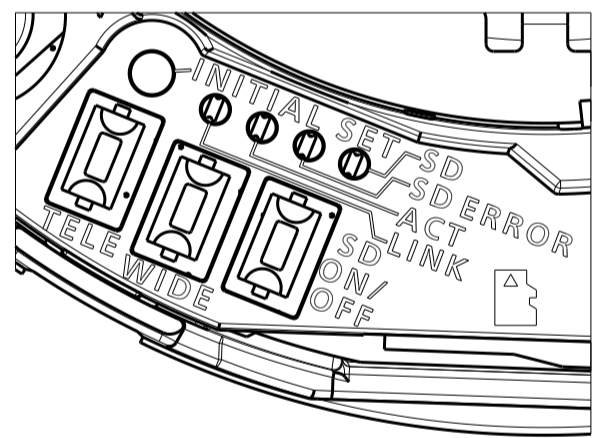
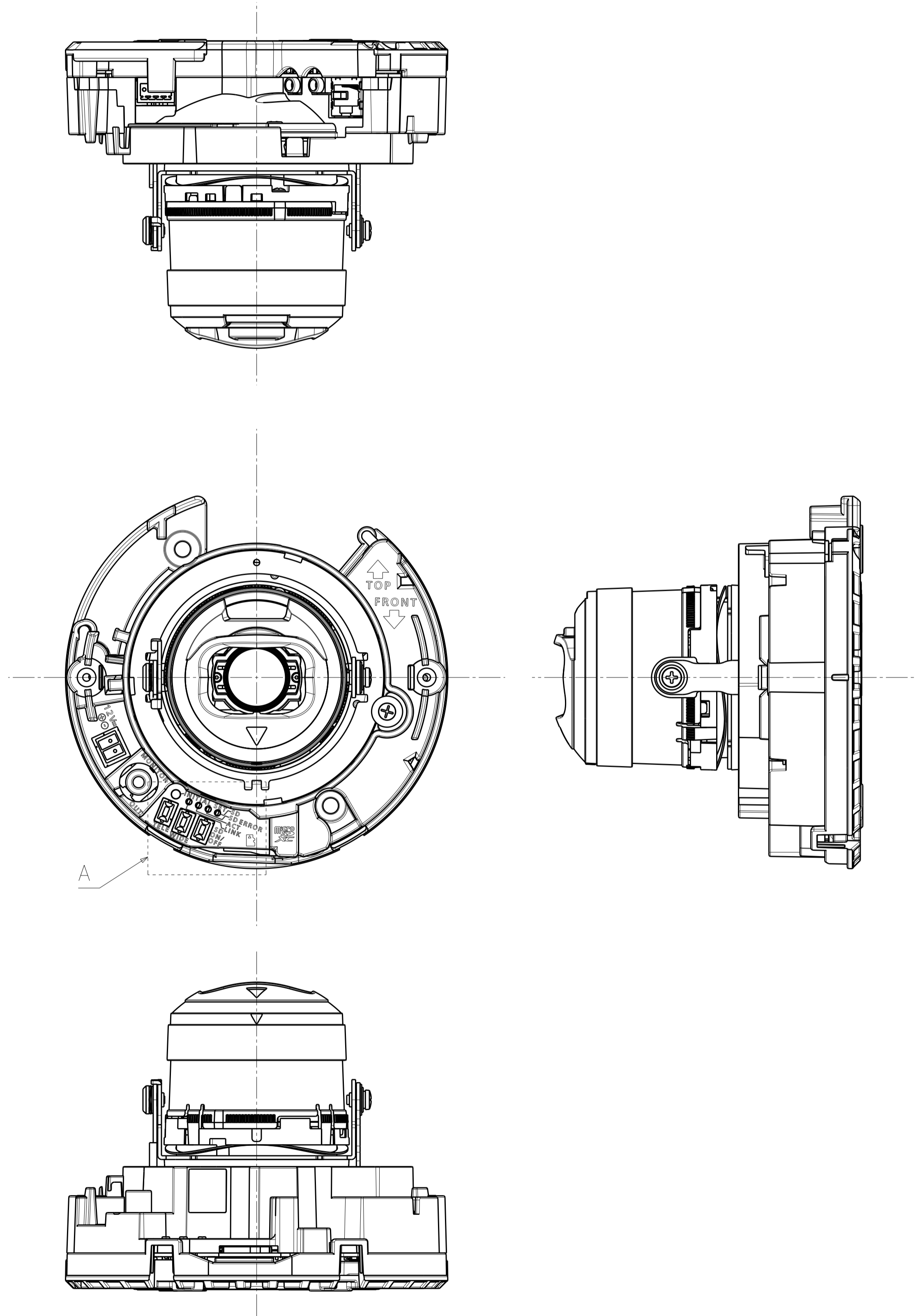


Weight : Approx. 470 g {1.04 lbs}

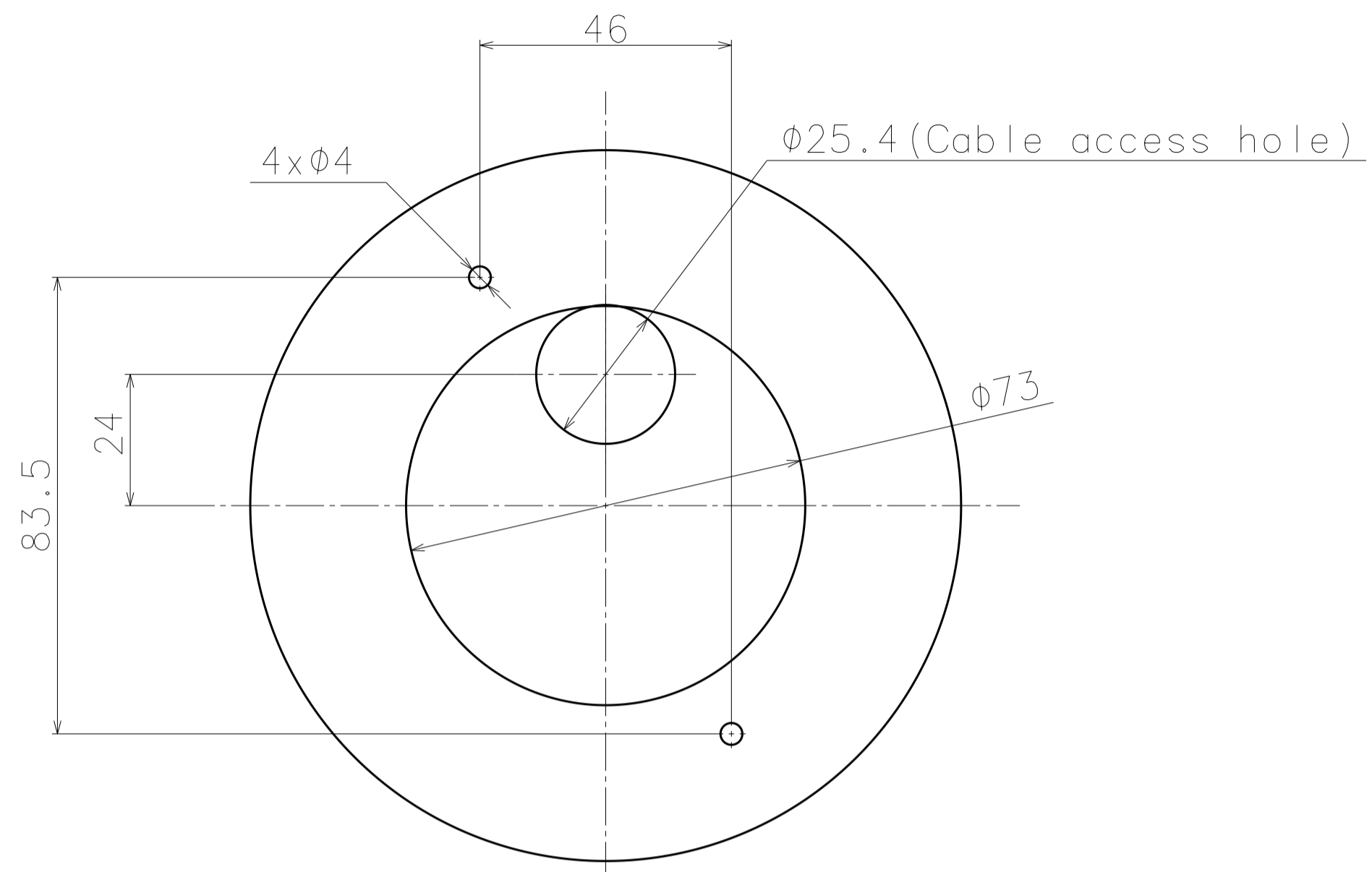
WV-S2136



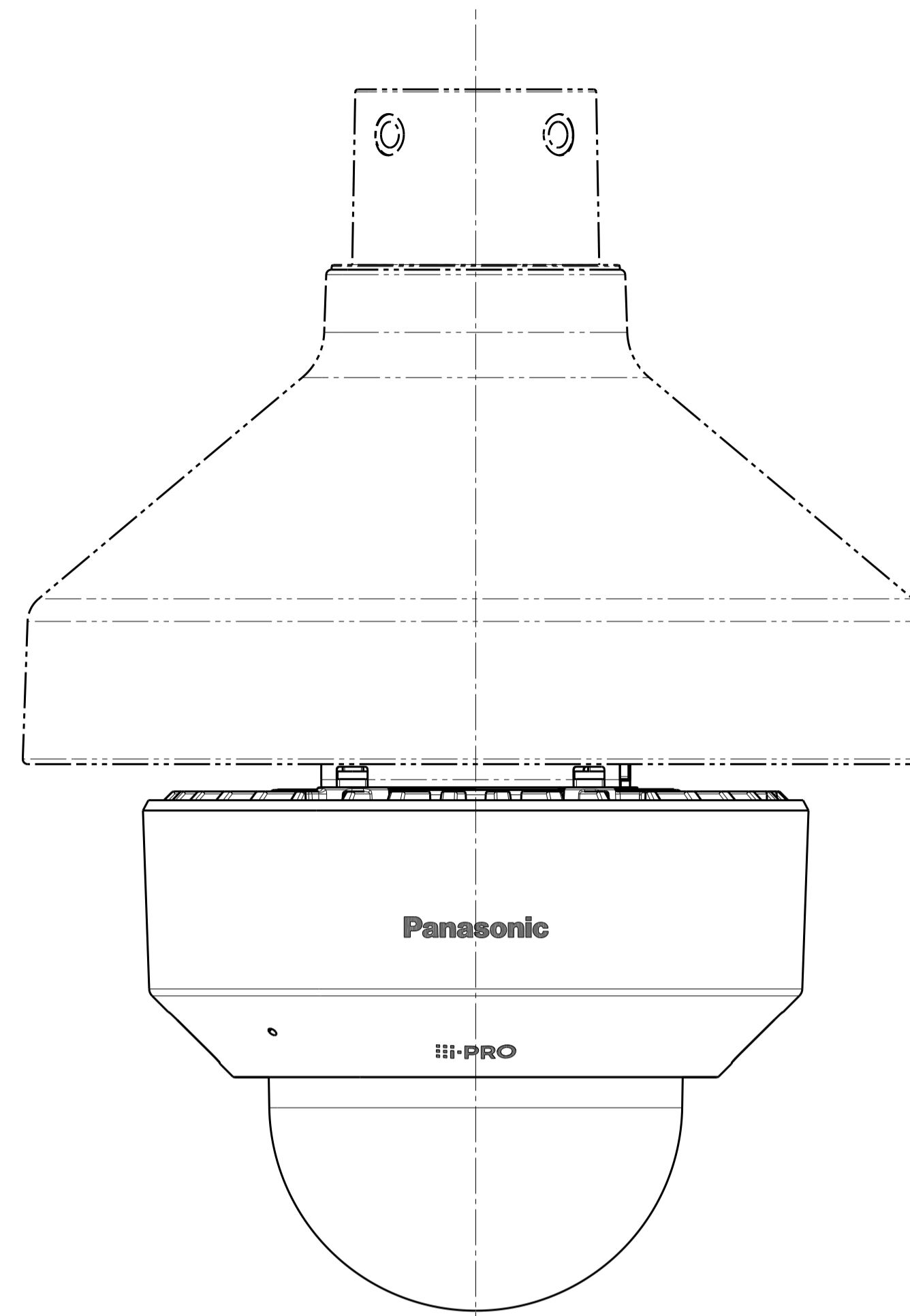
DetailA (2:1)



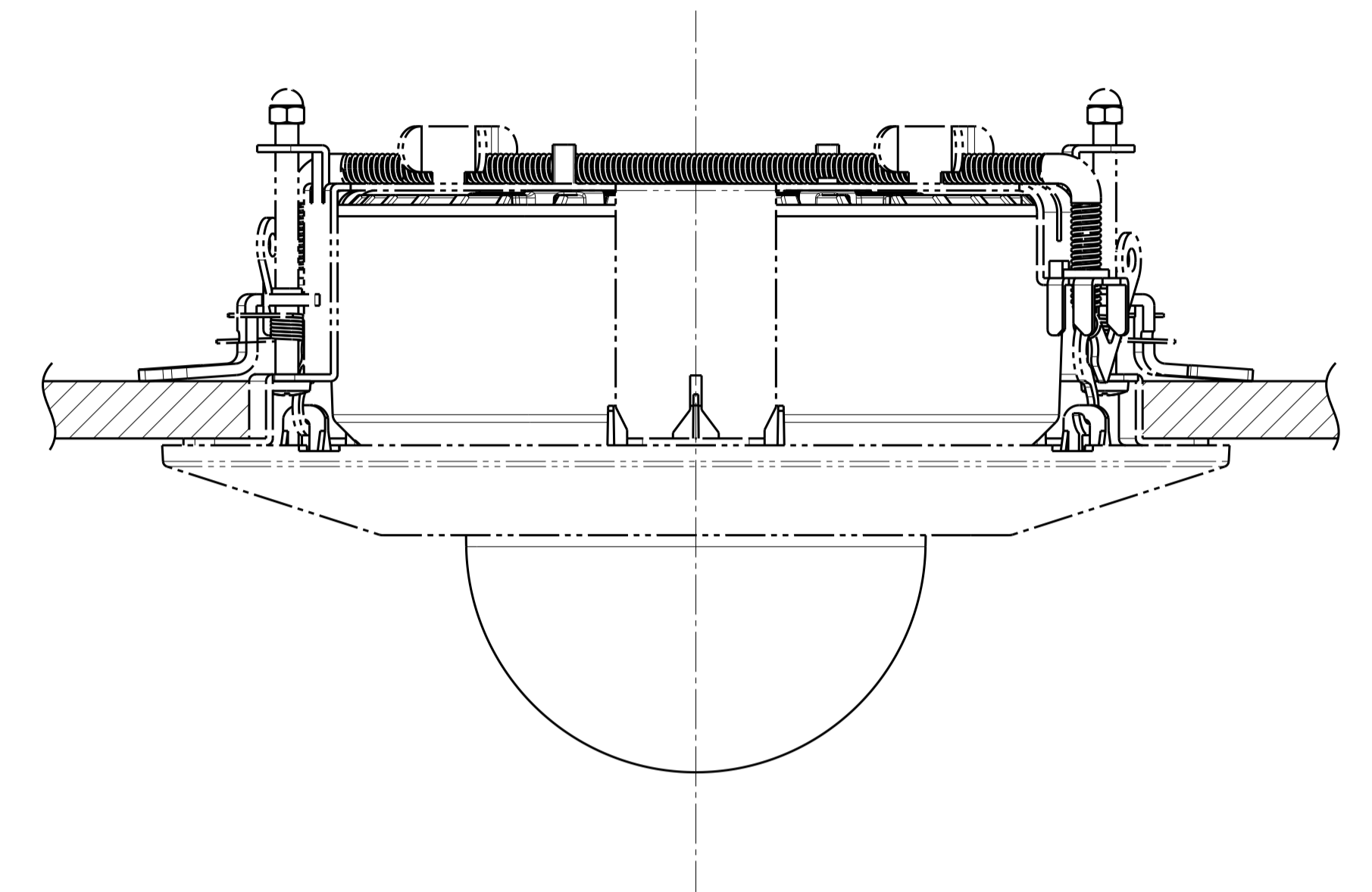
Without Enclosure



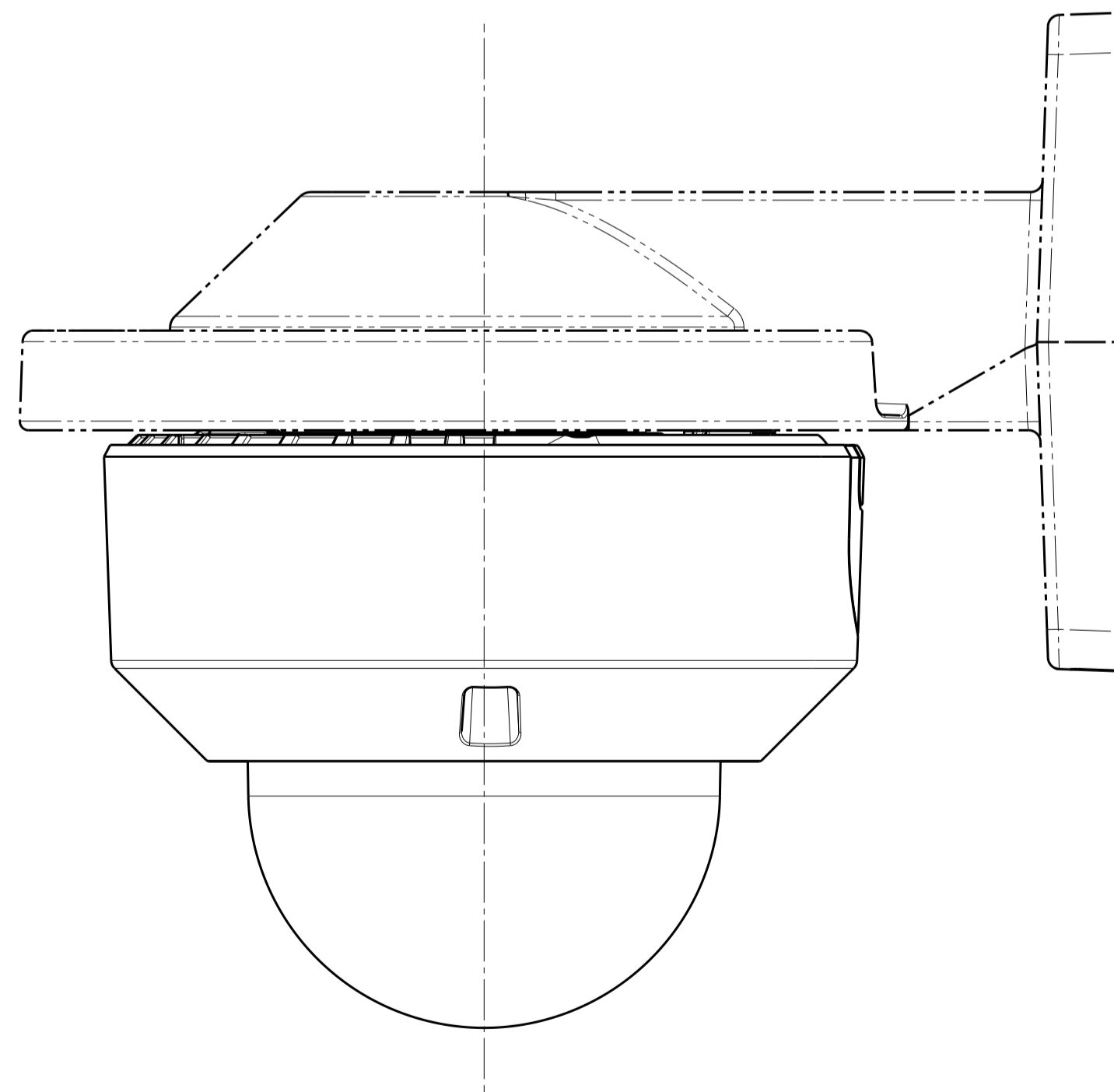
Template for mounting



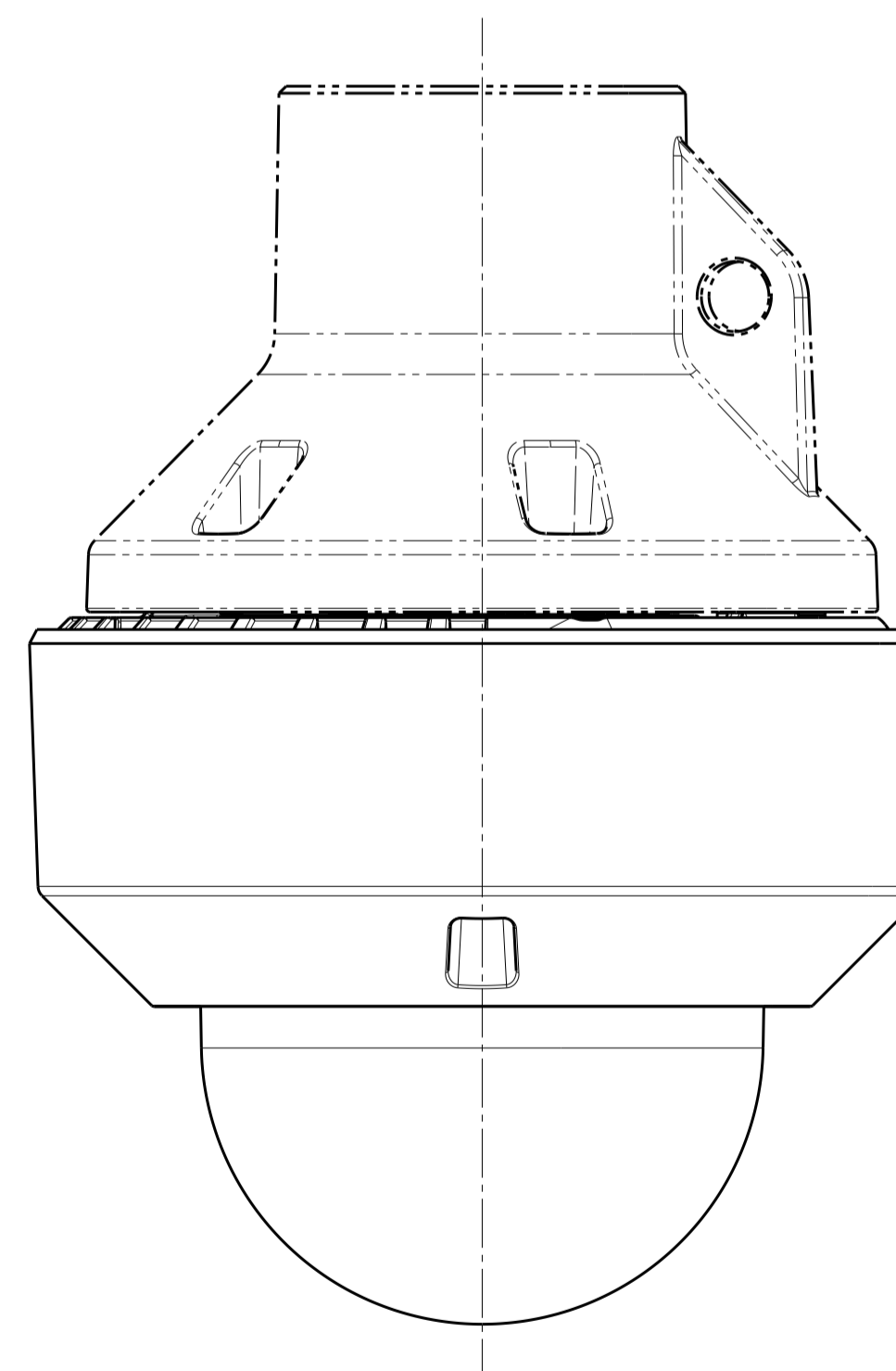
Attach to WV-QSR501-W



Attach to WV-QEM100-W



Attach to WV-QWL500-W



Attach to WV-QCL100-W