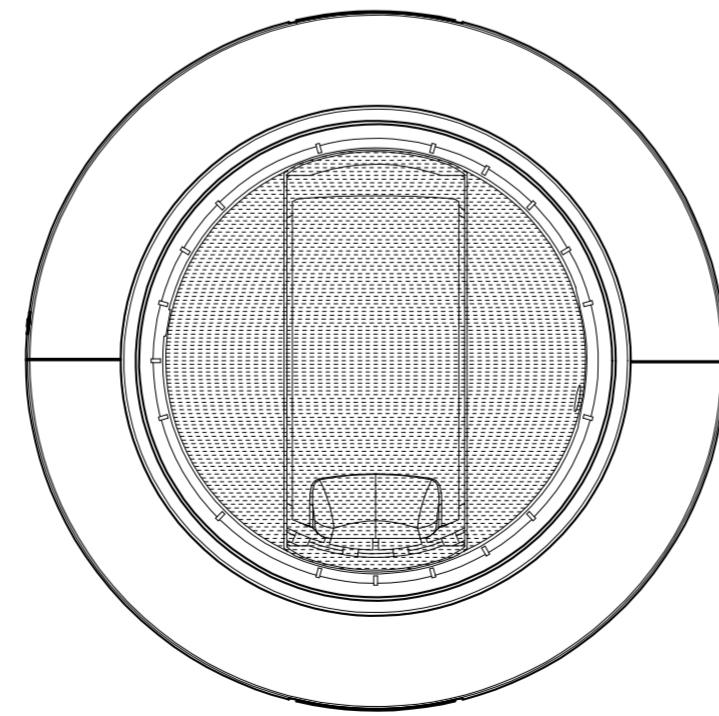
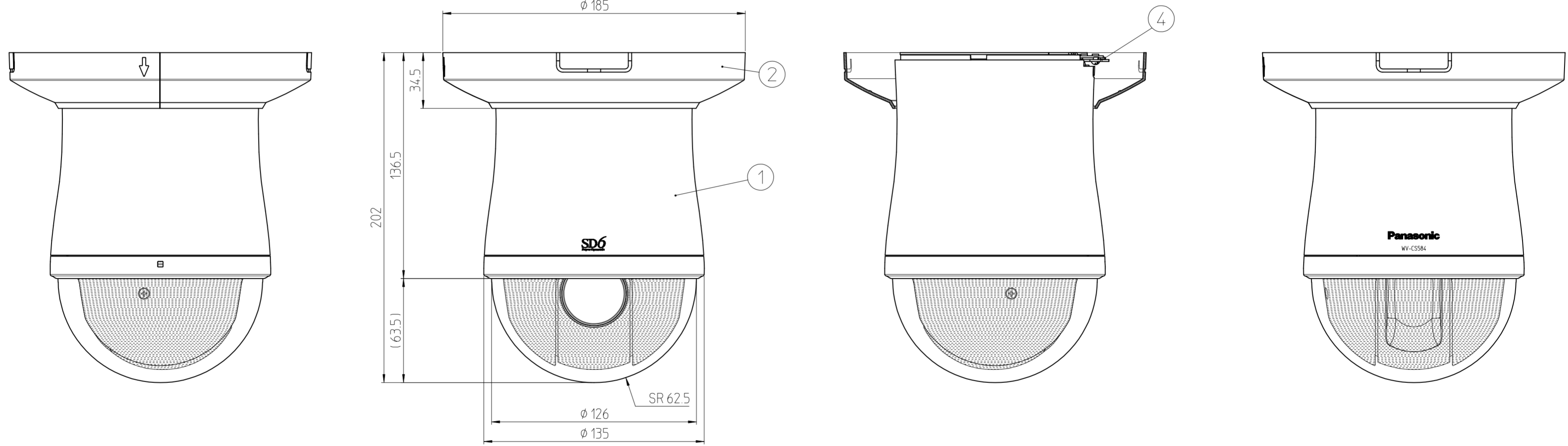
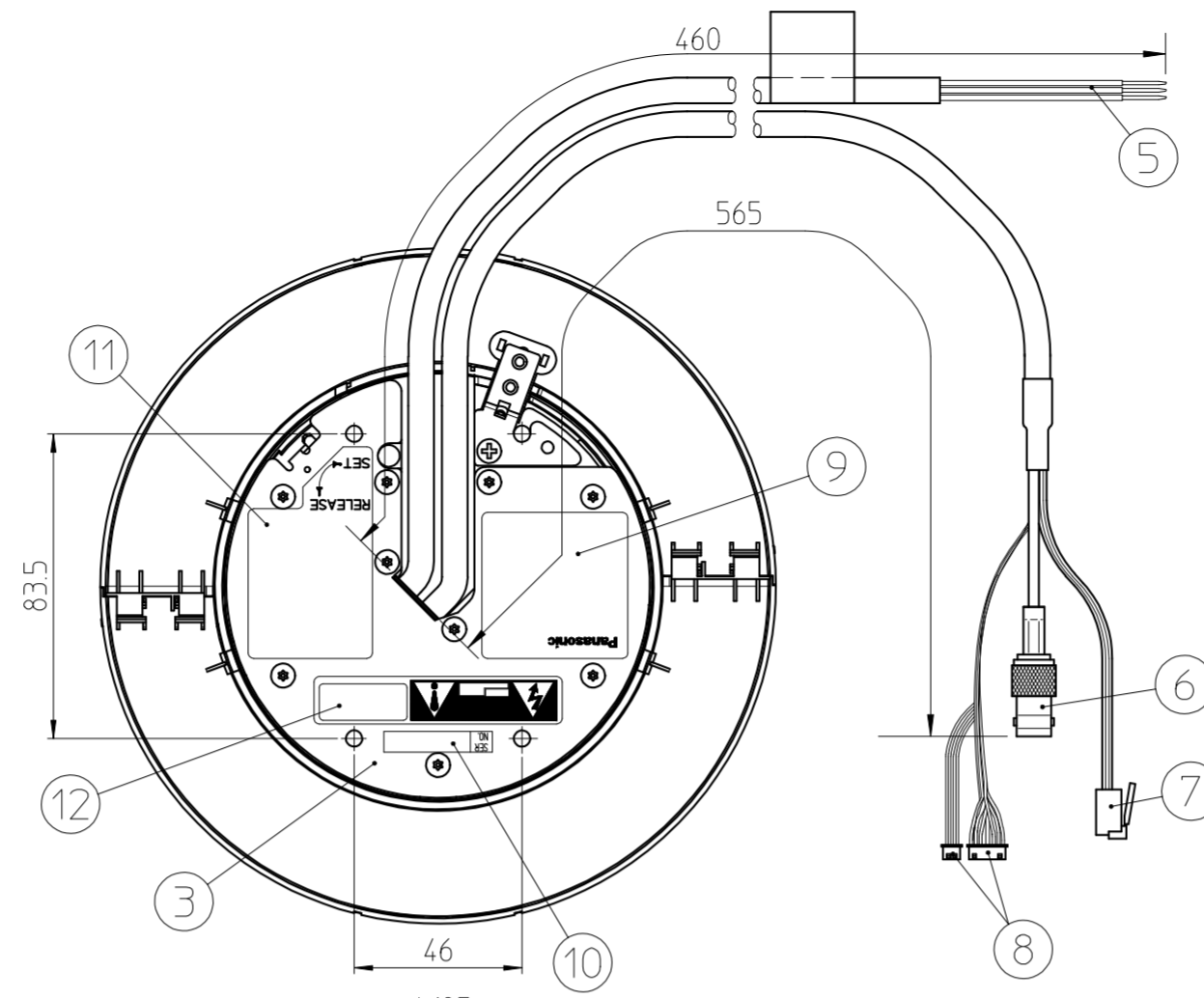


SYM.	DATE	REVISION	SIGNED	CHECKED
△				
△				
△				



No.	PARTS NAME	QTY	MATERIAL & SIZE	TREATMENT	REMARK
12	Caution Label B	1	Aluminium vapor Deposition Film		
11	Caution Label A	1	Aluminium vapor Deposition Film		
10	Serial No. Label	1	Aluminium vapor Deposition Film		
9	Name Plate	1	Aluminium vapor Deposition Film		
8	Alarm Signal Connector	1			
7	Modular Jack	1			
6	Video Coaxial Cable	1			
5	Power Cable	1			
4	Detachable Plate Lock Screw	1	Carbon Steel M3		
3	Base Unit	1			
2	Decorative Cover	1	ABS Resin	Painting (Silver)	
1	Combination Camera Unit	1		Painting (Silver)	

REMARK		Weight : 1.7kg		MATERIAL & SIZE		PROCESS		MODEL	WV-CS584E
SCALE	DESIGNED	DRAWN	CHECKED	APPROVED		NAME		Appearance	
1 : 2	T.Uchida 11-07-12	T.Uchida 11-07-12		T.Kamimura 11-7-12		DRAWING/ Part NO.		Page M-Mb1 of M-Mb1	
REF.NO.								ISSUE 1-1	