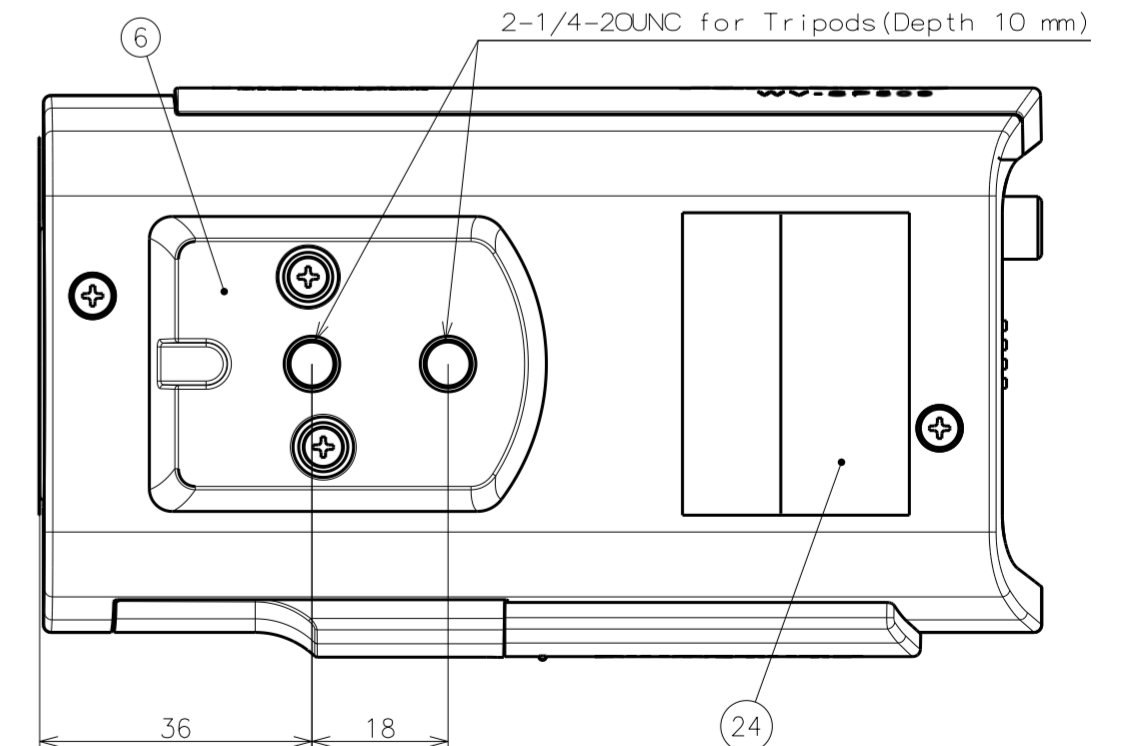
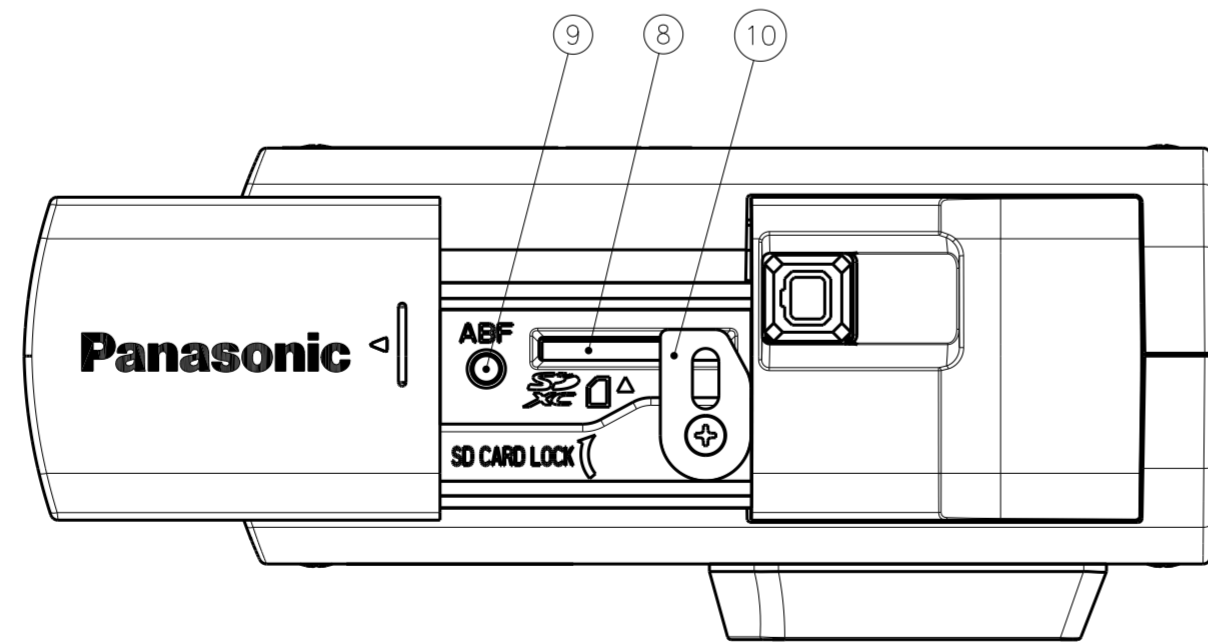
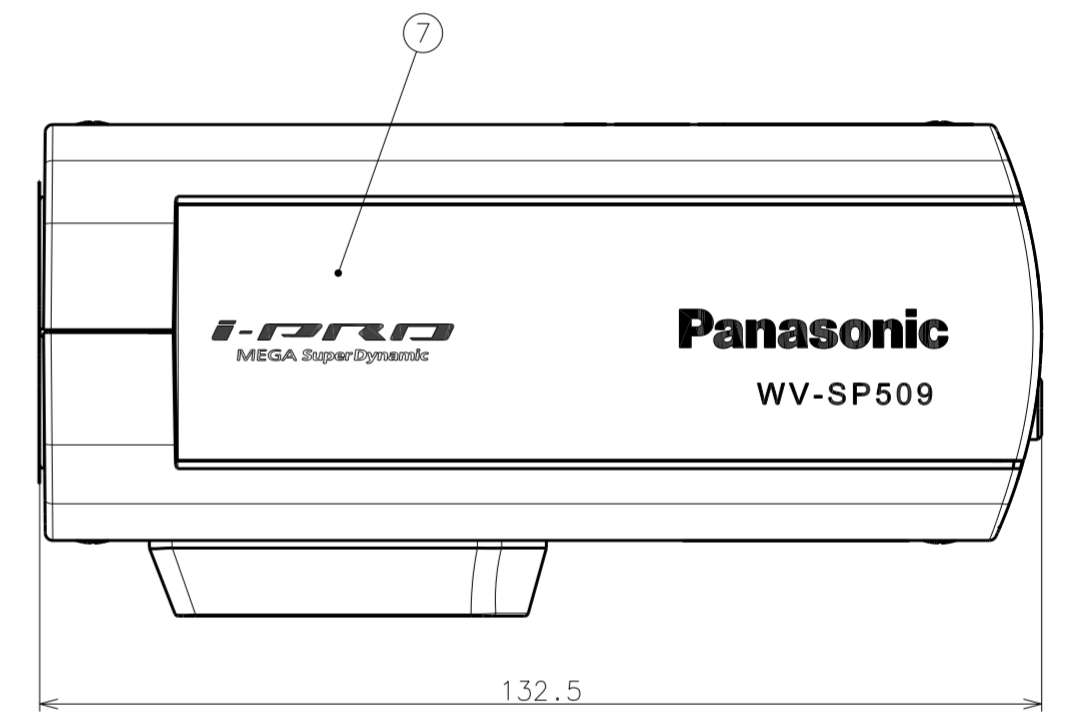
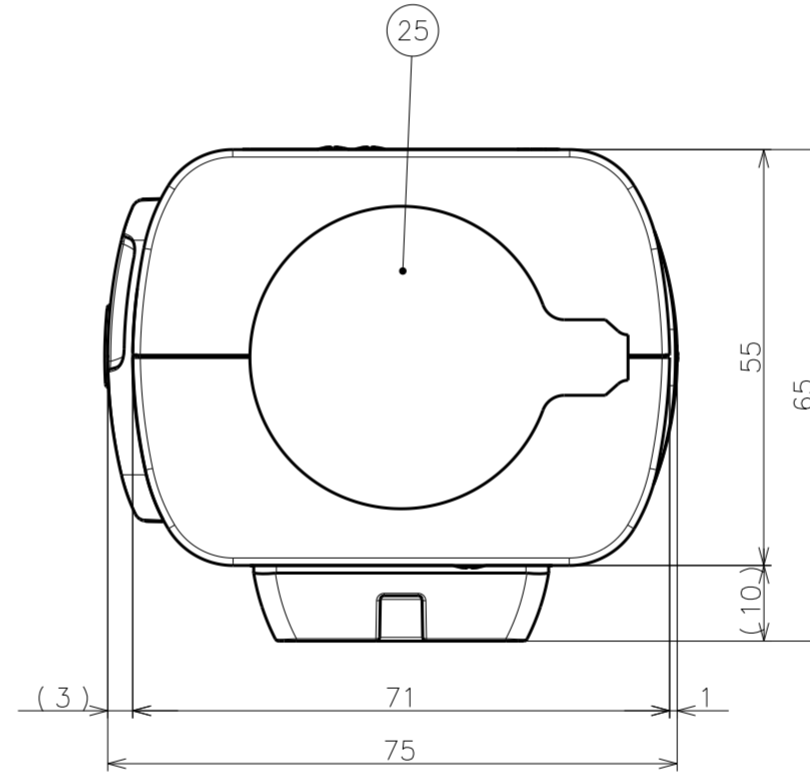
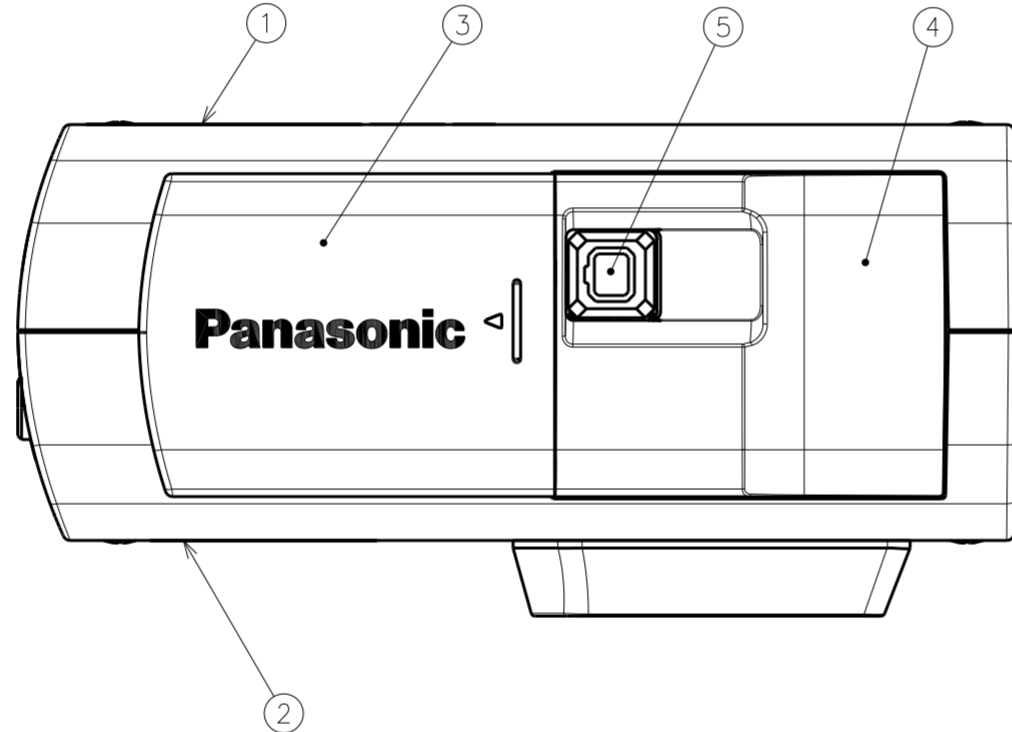
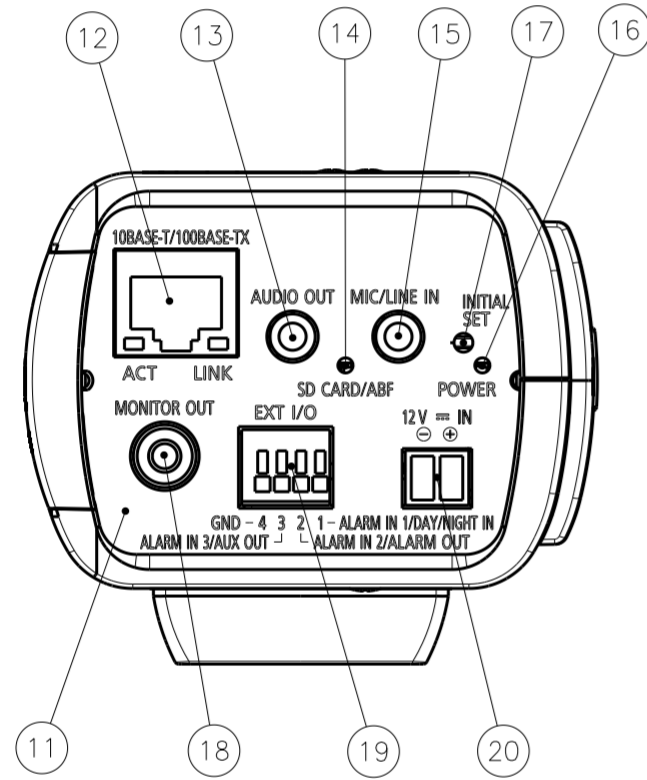
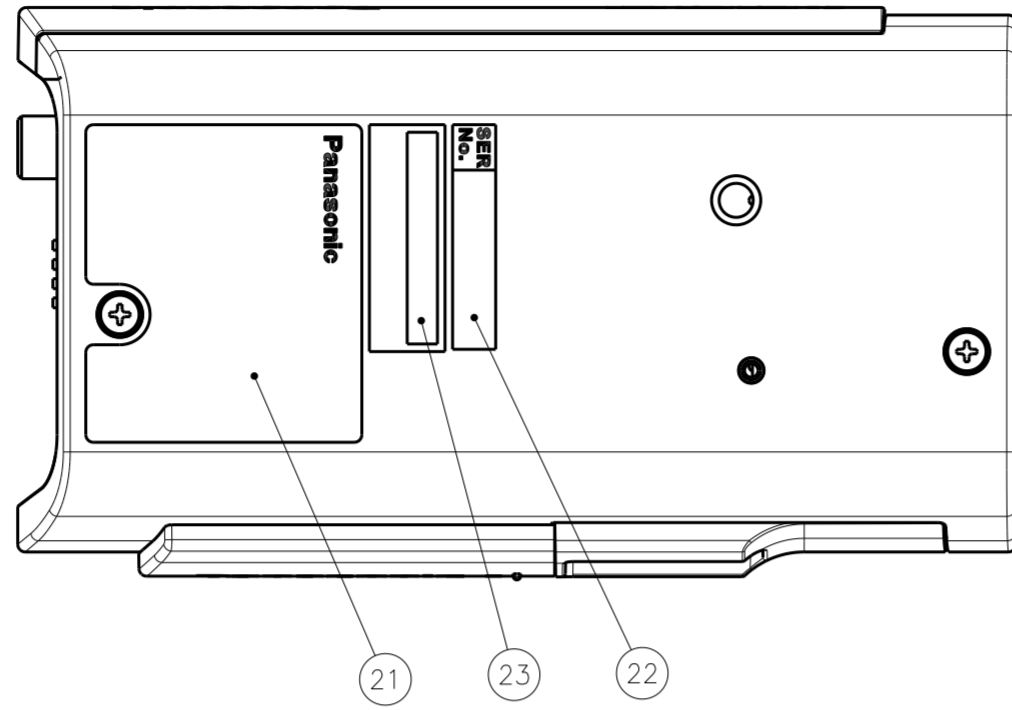


・パナソニックグループ化学物質管理ランク最新版（製品版）を遵守すること。
 URL: <http://panasonic.co.jp/eco/topics/suppliers/>
 ・Observe the Panasonic Group Chemical Substances Management Rank Guidelines latest version (For Products).
 URL: <http://panasonic.net/eco/topics/suppliers/>

No.	Part Name	Material	Process・Remark
1	Upper Cover	ABS	
2	Lower Cover	ABS	
3	Side Cover	ABS	
4	Side Panel (SD CARD)	ABS	
5	ALC Connector		
6	Mount Adaptor	ABS/PC	
7	Side Panel (Right)	ABS	
8	SD CARD Socket		
9	ABF Switch		
10	SD CARD LOCK Plate	Aluminium Plate	
11	Rear Panel	Aluminium Plate	
12	RJ-45 Connector		
13	AUDIO OUTPUT Jack		
14	SD CARD/ABF LED		
15	MIC/LINE INPUT Jack		
16	POWER LED		
17	INITIAL SET Switch		
18	MONITOR OUTPUT Jack		
19	EXT I/O Connector		
20	DC 12V INPUT Terminal		
21	Name Plate	Polyester Film	
22	Serial Number Label	Polyester Film	
23	Code Label		
24	FCC/DOC Label	Polyester Film	
25	Mount Label		



SYM.	DATE	REVISION	SIGNED	CHECKED

Unit:mm

REMARK				MODEL	
WEIGHT: Approx. 420g				WV-SP509P	
SCALE	DESIGNED	DRAWN	CHECKED	APPROVED	NAME
1:1	OHYA 2011/AUG/04	Kawamoto 2011/AUG/04			APPEARANCE
				DRAWING/ Part NO.	
				REF. NO.	/