

SPEAKER MOUNT BRACKETS

SP-131**SP-201****SP-301**

Thank you for purchasing TOA's Speaker Mount Bracket.
Please carefully follow the instructions in this manual to ensure long,
trouble-free use of your equipment.

1. SAFETY PRECAUTIONS

- Before installation or use, be sure to carefully read all the instructions in this section for correct and safe operation.
- Be sure to follow all the precautionary instructions in this section, which contain important warnings and/or cautions regarding safety.
- After reading, keep this manual handy for future reference.



WARNING

Indicates a potentially hazardous situation which, if mishandled, could result in death or serious personal injury.

When Installing the Unit

- Install the unit only in a location that can structurally support the weight of the unit and the speaker. Doing otherwise may result in the speaker falling down and causing personal injury and/or property damage.
- Do not use other methods than specified to mount the unit. Extreme force is applied to the unit and the speaker could fall off, possibly resulting in personal injuries.
- Use nuts and bolts that are appropriate for the wall's structure and composition. Failure to do so may cause the speaker to fall, resulting in material damage and possible personal injury.
- Tighten each nut and bolt securely. Ensure that the unit has no loose joints after installation to prevent accidents that could result in personal injury.
- Do not mount the unit in locations exposed to constant vibration. The unit can be damaged by excessive vibration, potentially causing the speaker to fall, which could result in personal injury.
- Do not use anti-rust lubricant. If it contacts resin or rubber parts, they could deteriorate and cause the unit to fall, possibly resulting in personal injury.



CAUTION

Indicates a potentially hazardous situation which, if mishandled, could result in moderate or minor personal injury, and/or property damage.

When Installing the Unit

- Avoid touching the unit's sharp metal edge to prevent injury.

When the Unit is in Use

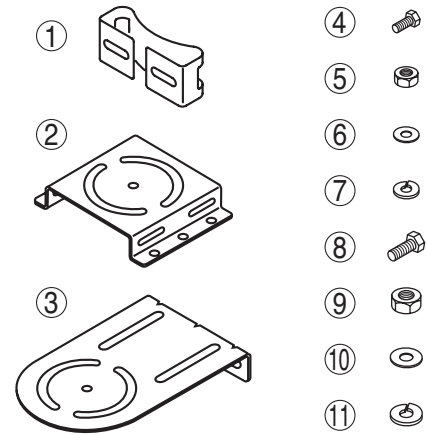
- Do not stand or sit on, nor hang down from the unit as this may cause it to fall down or drop, resulting in personal injury and/or property damage.
- Have the unit checked periodically by the shop from where it was purchased. Failure to do so may result in corrosion or damage to the unit that could cause the unit to fall, possibly causing personal injury.

2. GENERAL DESCRIPTION

These Speaker Mount Brackets are designed to mount horn speakers or wide range speakers to walls or poles. Pole mounting of the speaker requires addition of the optional YS-60B Pole Band.

3. COMPONENT PARTS

No.	Part name	Quantity		
		SP-131*	SP-201	SP-301
1	SP-131 pole bracket	2	-	-
2	SP-201 base bracket	-	1	-
3	SP-301 base bracket	-	-	1
4	Hexagon bolt M8 x 20	4	2	2
5	Nut (for M8)	4	2	2
6	Plain washer (for M8)	8	4	4
7	Spring washer (for M8)	4	2	2
8	Hexagon bolt M10 x 25	4	2	2
9	Nut (for M10)	4	2	2
10	Plain washer (for M10)	8	4	4
11	Spring washer (for M10)	4	2	2



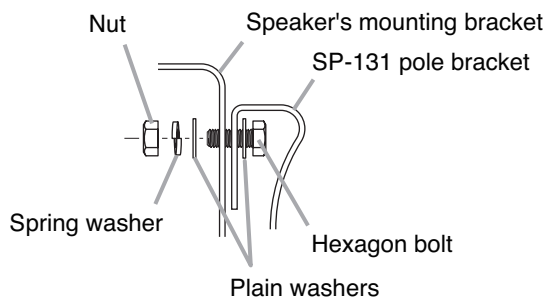
* The SP-131 contains 2 sets of brackets.

4. INSTALLATION

4.1. SP-131 (Designed for pole mounting)

Step 1. Attach the SP-131 pole bracket to the speaker's mounting bracket.

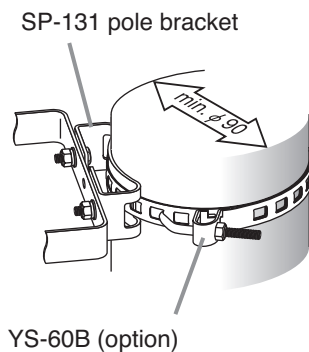
Use the supplied bolts that fit holes in the speaker mounting bracket.



Step 2. Mount the SP-131 pole bracket to the pole by using the YS-60B Pole Band.

Note

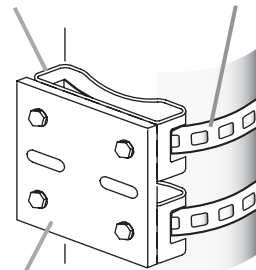
The YS-60B permits speaker mounting to a pole of 9 to 34 cm in diameter.



Example of mounting reinforcement

If the installation location is susceptible to vibrations or strong wind, use the SP-131 in combination with 2 YS-60Bs to reinforce the mounting strength as shown below.

SP-131 pole bracket YS-60B (option)



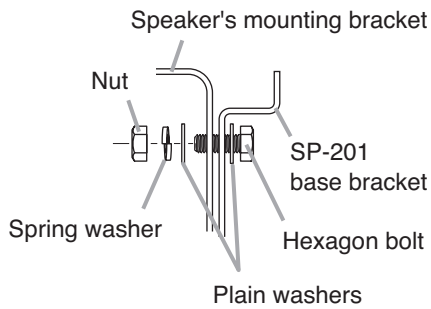
Reinforcing plate

Note: Separately prepare the one with 5 mm or more in thickness.

4.2. SP-201 (Designed for wall or pole mounting)

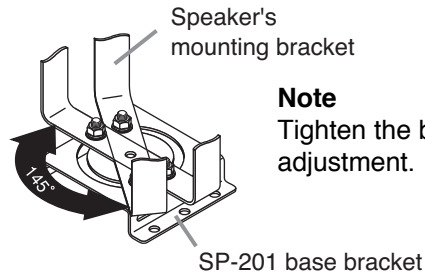
Step 1. Attach the SP-201 base bracket to the speaker's mounting bracket.

Use the supplied bolts that fit holes in the speaker mounting bracket.



Step 2. Adjust the mounting angle of the speaker's mounting bracket.

Adjustable range: Up to 145°

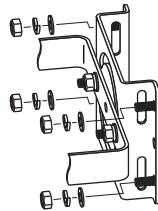


Note

Tighten the bolts after angle adjustment.

Step 3. Mount the SP-201 base bracket to the wall or pole.

[Example of wall mounting]



Note

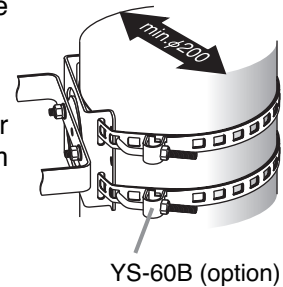
Any bolts, nuts, and washers for wall mounting are not supplied. Separately prepare ones appropriate for walls.

[Example of pole mounting]

Use 2 of the optional YS-60B Pole Bands as shown at right.

Note

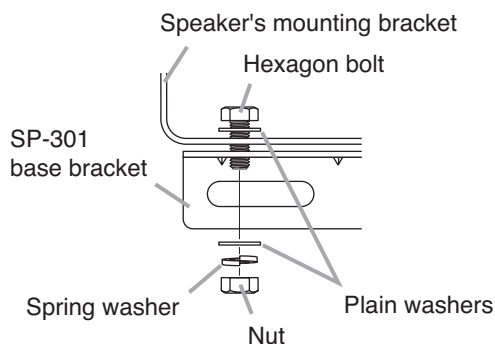
The YS-60B permits speaker mounting to a pole of 20 to 34 cm in diameter.



4.3. SP-301 (Designed for wall mounting)

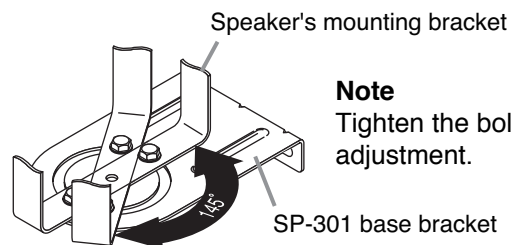
Step 1. Attach the SP-301 base bracket to the speaker's mounting bracket.

Use the supplied bolts that fit holes in the speaker mounting bracket.



Step 2. Adjust the mounting angle of the speaker's mounting bracket.

Adjustable range: Up to 145°



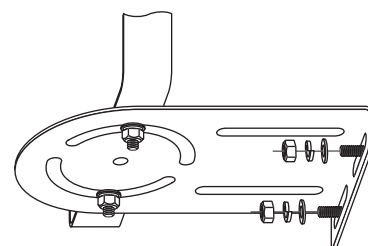
Note

Tighten the bolts after angle adjustment.

Step 3. Mount the SP-301 base bracket to the wall.

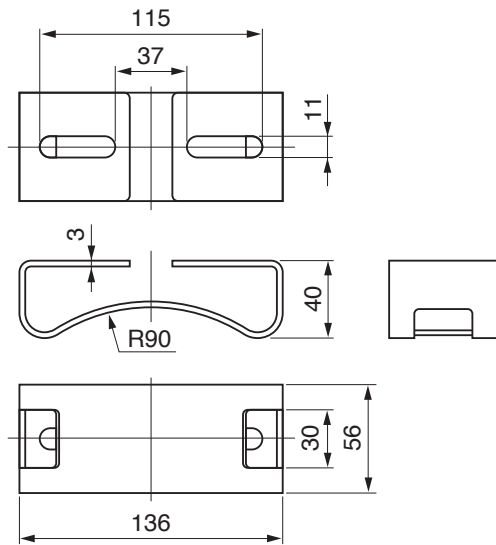
Note

Any bolts, nuts, and washers for wall mounting are not supplied. Separately prepare ones appropriate for walls.

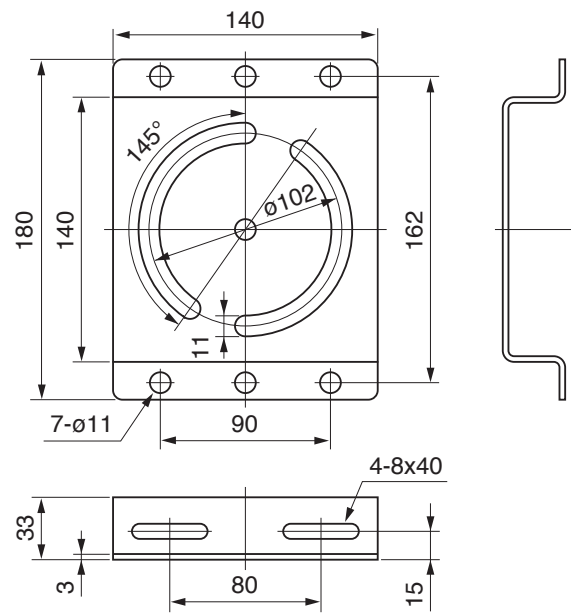


5. DIMENSIONAL DIAGRAM

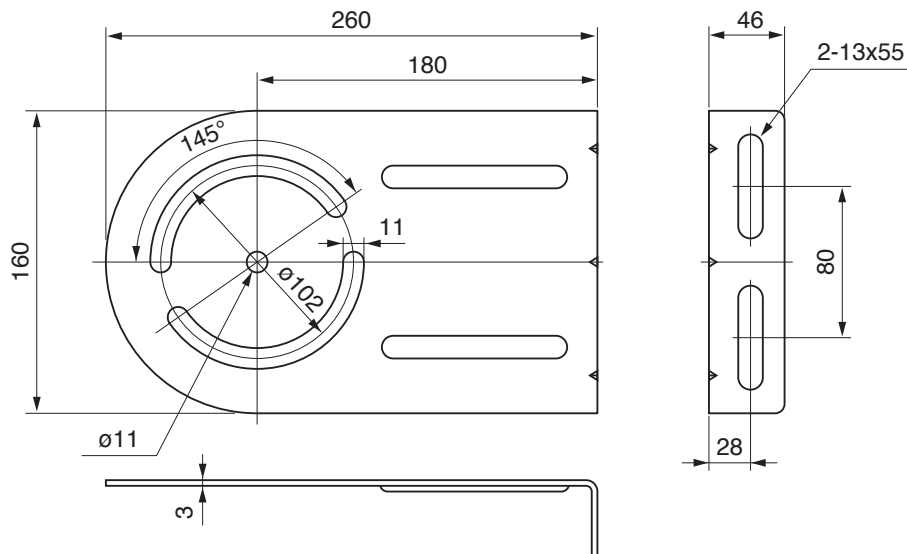
[SP-131]



[SP-201]



[SP-301]



Unit: mm

6. SPECIFICATIONS

Model No.	SP-131	SP-201	SP-301
Withstand load	8 kg *	10 kg	5 kg
Finish	Bracket: Stainless (SUS304) Bolt, nut, washer: Stainless		
Weight	330 g (per bracket)	610 g (Bracket only)	910 g (Bracket only)

* The TOA speakers heavier than 8 kg can be mounted if they are recommended for use with the SP-131 in our catalogs or other material.

Note: The design and specifications are subject to change without notice for improvement.

• Optional product

Pole Band: YS-60B

URL: <http://www.toa.jp/>