

# Addendum

Read this addendum with the Operating Instructions.

When replacing hard disk drives, please replace the existings in the Operating Instructions (page 24, 25).

## How to Replace Hard Disk Drives

Replacement of hard disk drives is available regardless of whether the power of the unit is on or off.

The procedure of replacement depends on whether the power of the unit is on or off.

Refer to the operating instructions for the optional extension unit when replacing the hard disk in the extension unit.

## When replacing the hard disk drive with the unit power off

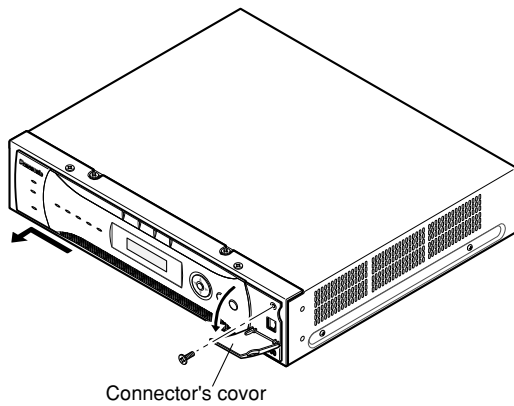
Turn off the power of the unit and disconnect the power plug from the outlet.

---

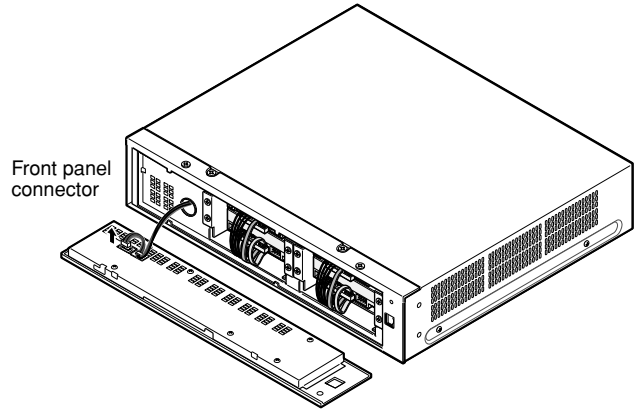
### Important:

- Protect the hard disk drives from static electricity.
  - Do not stack them, or keep them upright.
  - Do not use an electric screwdriver to secure them. (Tightening torque: 0.49 N·m {5 kgf·cm})
  - Avoid rapid changes in the temperature and humidity to prevent condensation. (Acceptable change: within 15°C/h {59°F/h})
- 

1. Open the connectors cover on the front panel and remove the fixing screw.  
Detach the front panel by sliding it after removing the screw.



2. Detach the connector from the front panel.

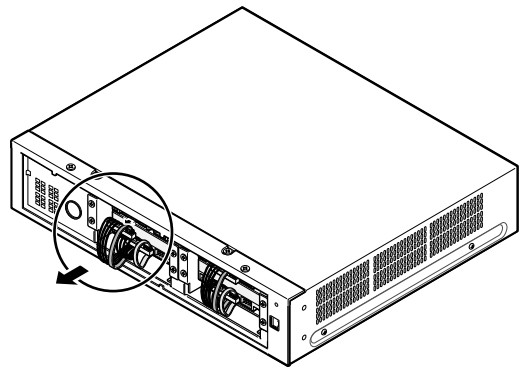


---

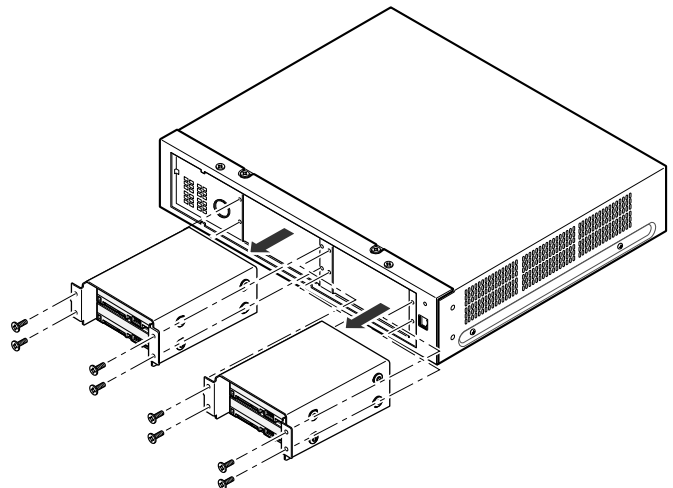
### Important:

- Do not disconnect the connector while the HDD status indicators are still lit or until 30 seconds have passed since the HDD status indicators went off.
  - Do not pull the cable.
  - Hold the connector and pull it straight up.
- 

3. Disconnect the connectors from the hard disk drives.



4. Remove both of the hard disk drive units.



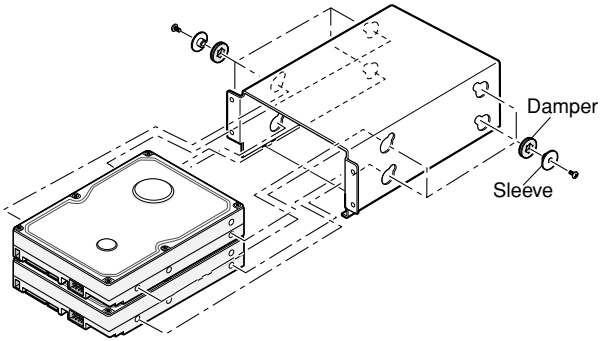
- Remove the screws (4 for each drive unit) and pull the drive units out.
- Do not lose the screws.
- \* For replacement of hard disk drives, remove the hard disk drives from the brackets respectively.

5. Prepare the hard disk drives for replacement.

- Discharge static electricity from your body before handling the hard disk drives.
- To prevent shocks or vibrations, put the hard disk drives on a soft mat.
- To prevent static electricity, use conductive material.
- When putting the hard disk drives on a conductive material, face the side of circuit board down.

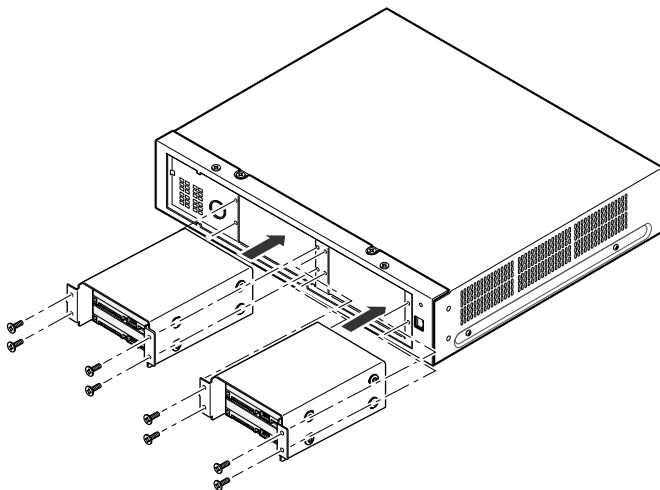
6. Secure the hard disk drives to the brackets respectively.

- Use 4 sleeves and 4 dampers that are supplied for each drive unit to secure the drives.
- Do not use an electric screwdriver for impact prevention. (Tightening torque: 0.49 N·m {5 kgf·cm})



7. Mount the hard disk drives on the extension unit.

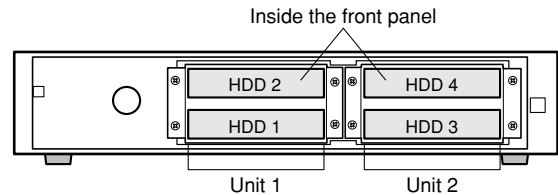
- Use the screws that had been removed in Step 4.
- Do not use an electric screwdriver for impact prevention. (Tightening torque: 0.784 N·m {8 kgf·cm})



**Important:**

The identification numbers of the built-in hard disk drives are assigned as shown below. The following are the relationship between slot numbers and hard disk drive numbers.

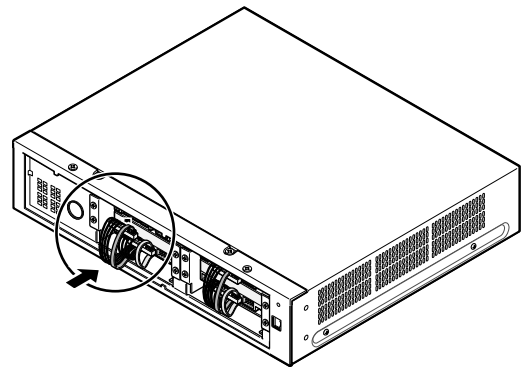
- Slot HDD #1:** HDD1
- Slot HDD #2:** HDD2
- Slot HDD #3:** HDD3
- Slot HDD #4:** HDD4



Make sure to follow the mounting order of hard disk drives, HDD1 -> HDD2 -> HDD3 -> HDD4.

Failure to observe this disables the hard disk drives because a network disk recorder cannot identify the drives.

8. Connect the connectors with gray cables to the upper hard disk drives and the connectors with red cables to the lower hard disk drives.



9. After completion of replacement, connect the power plug to the outlet and turn on the power of the unit.

→ The disk configuration menu automatically appears after starting up the unit.